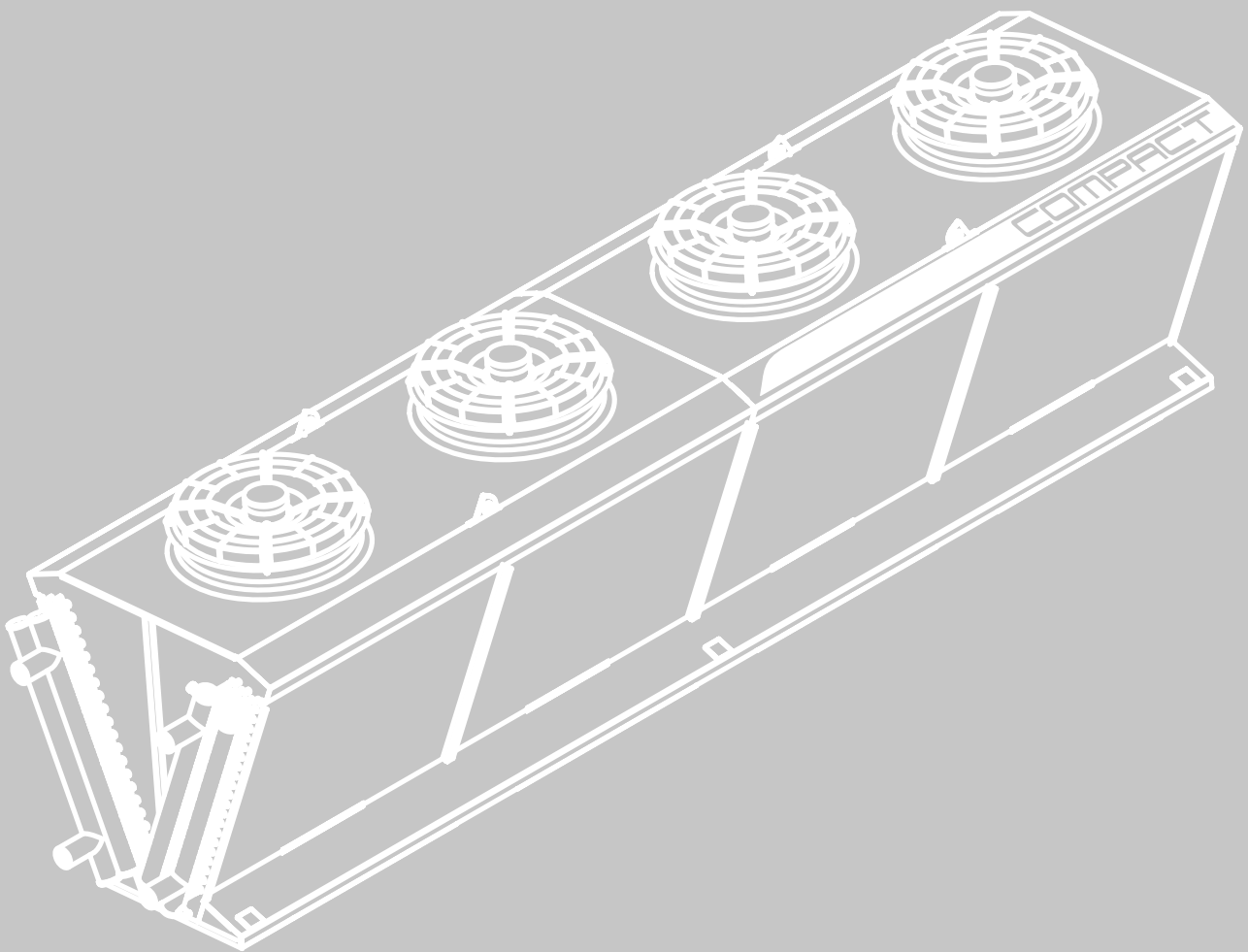


V-SHAPE / Compact

Condenser, Fluidcooler, Gascooler

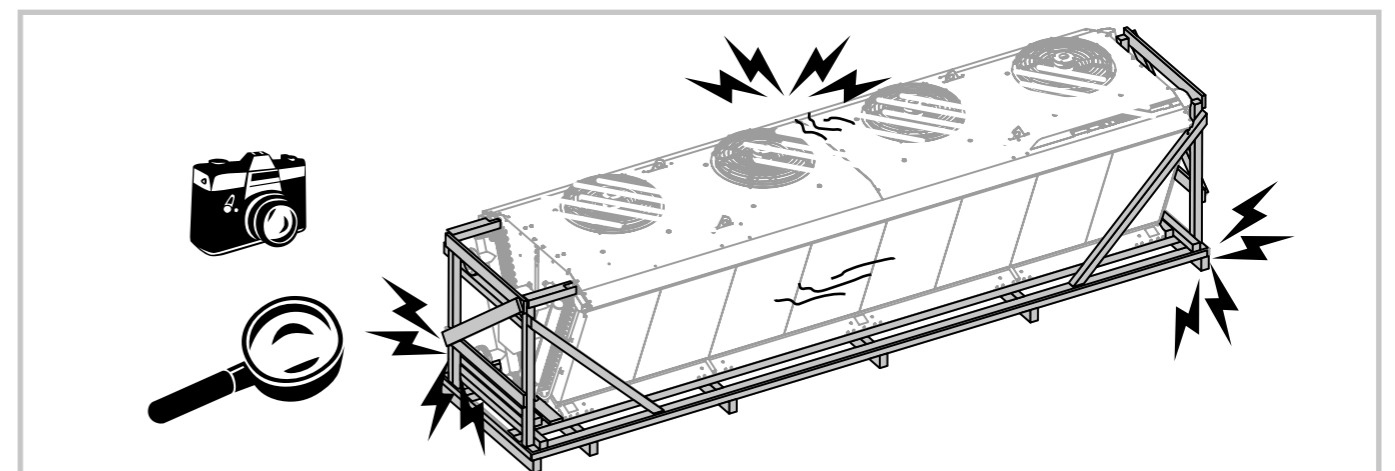
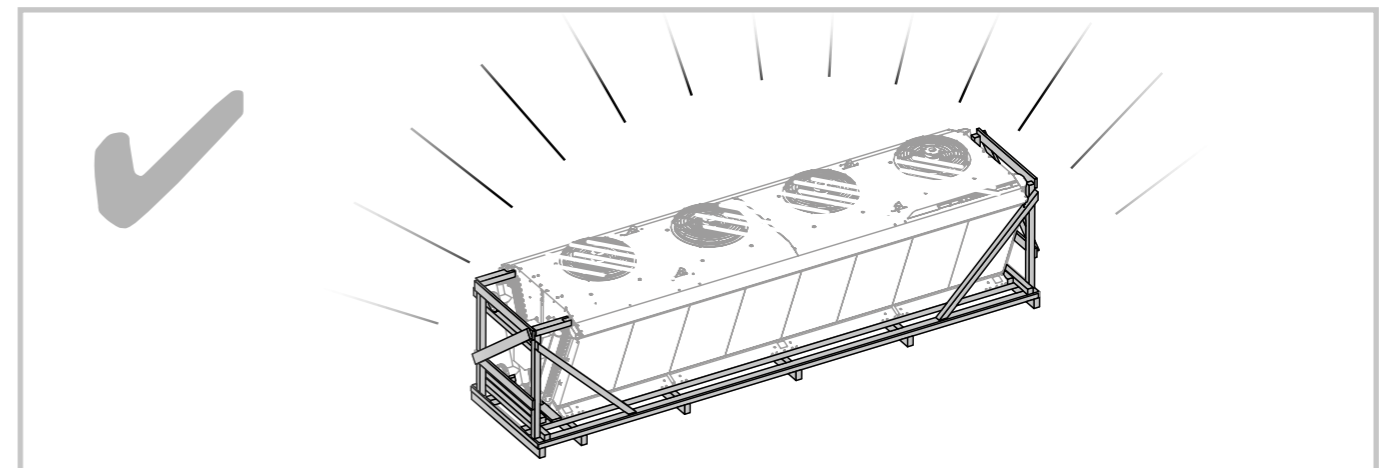
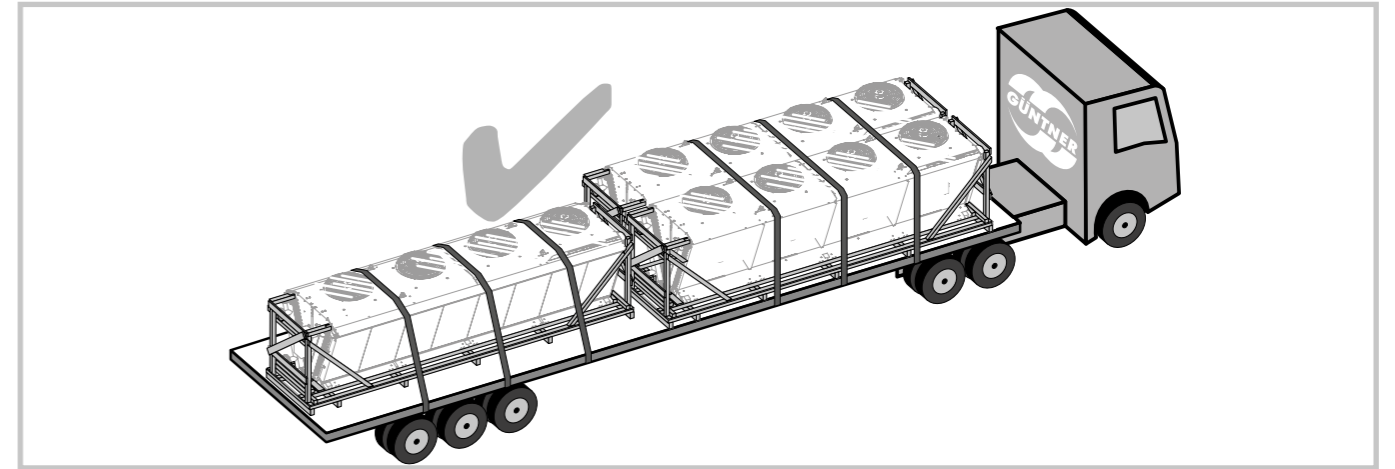




Scan code for manual.



1

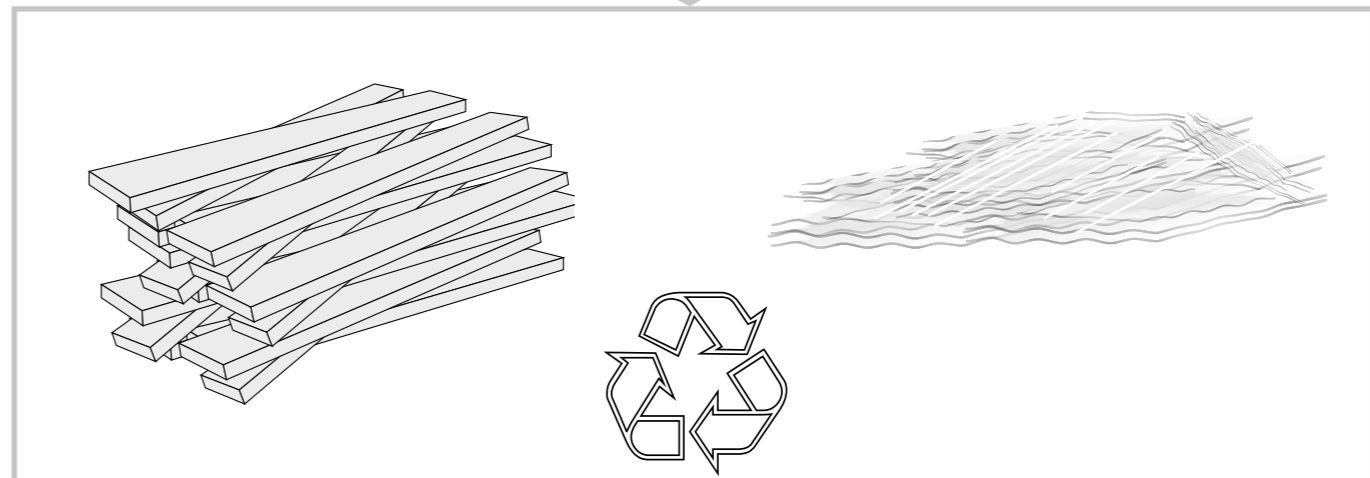
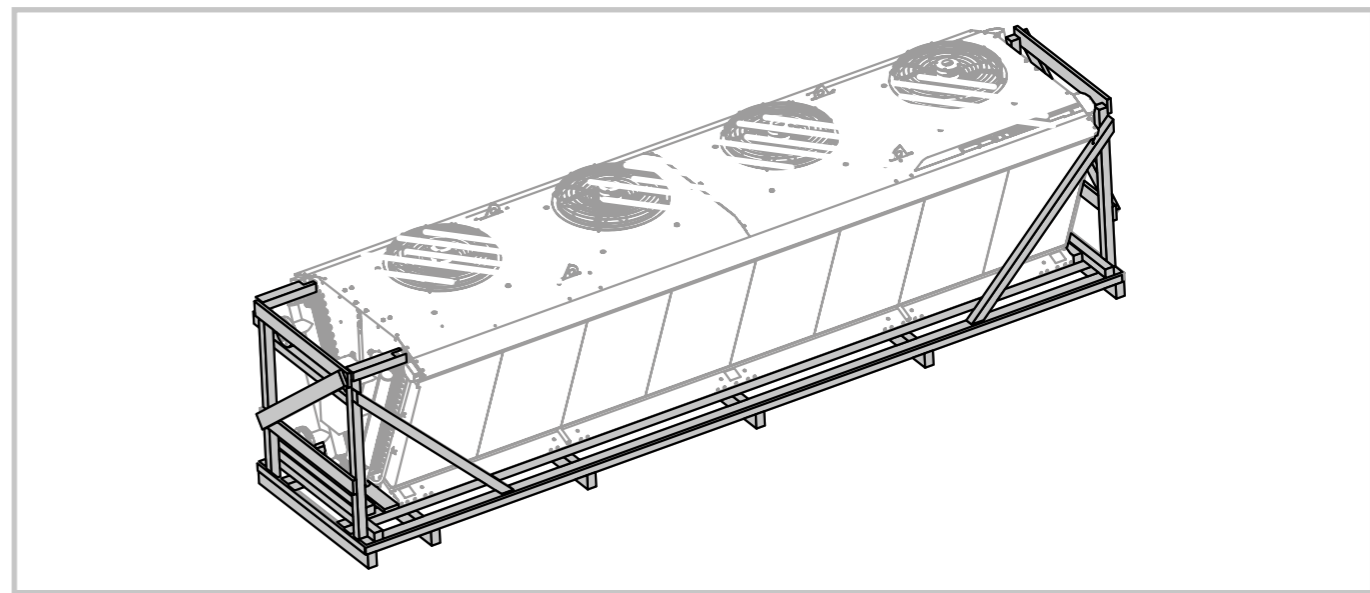
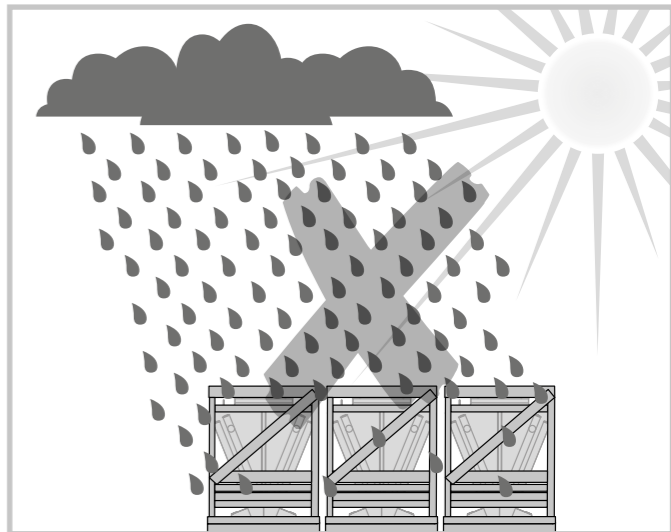
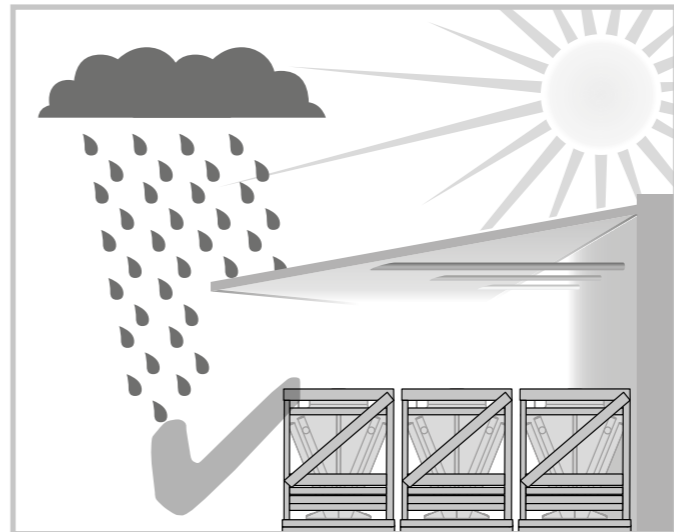
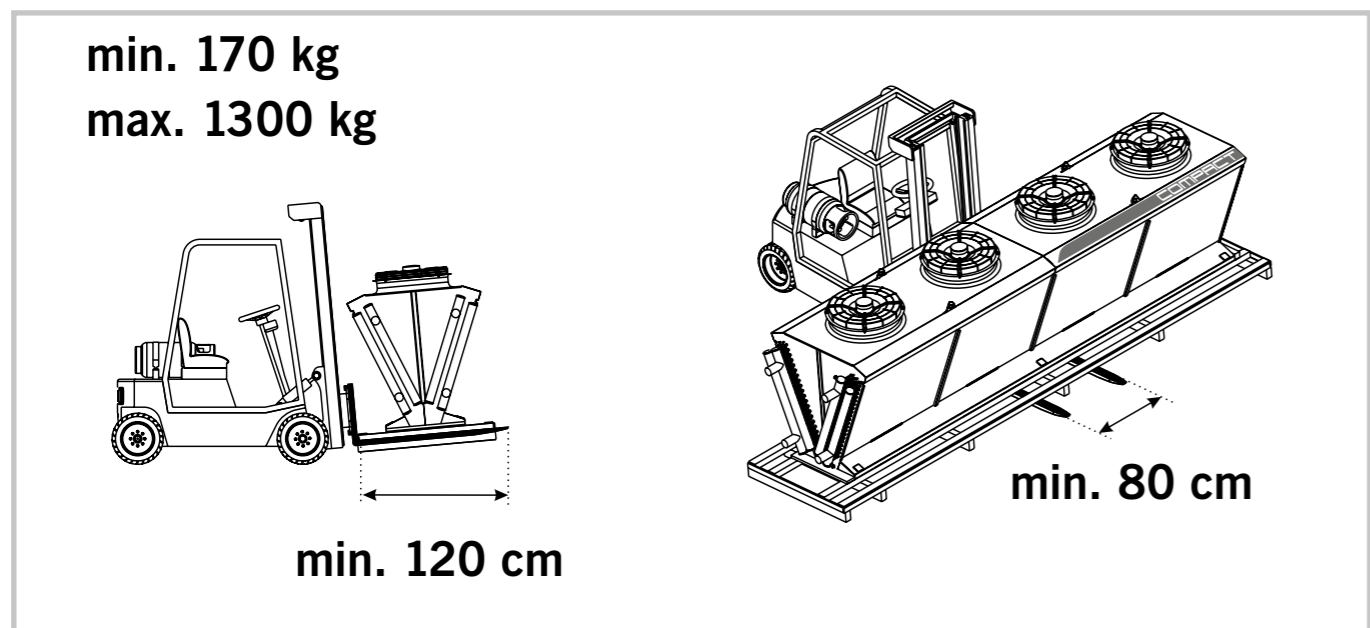
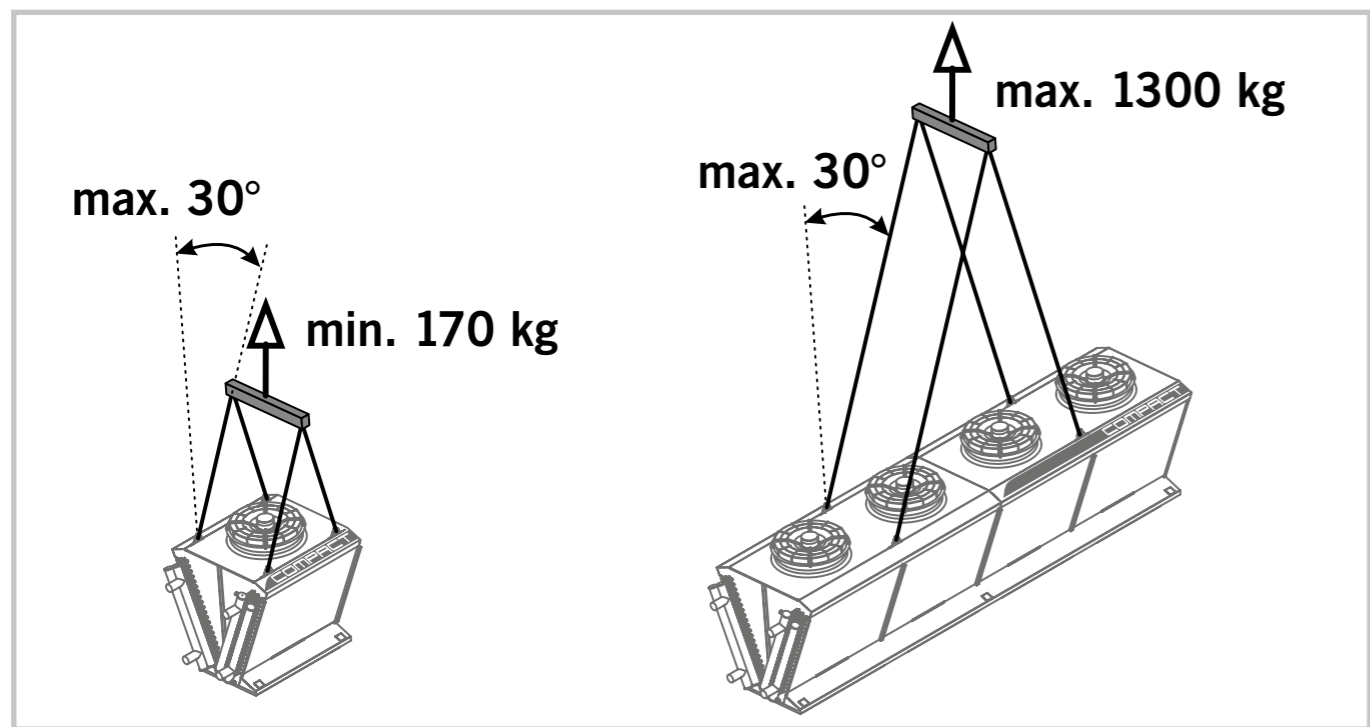
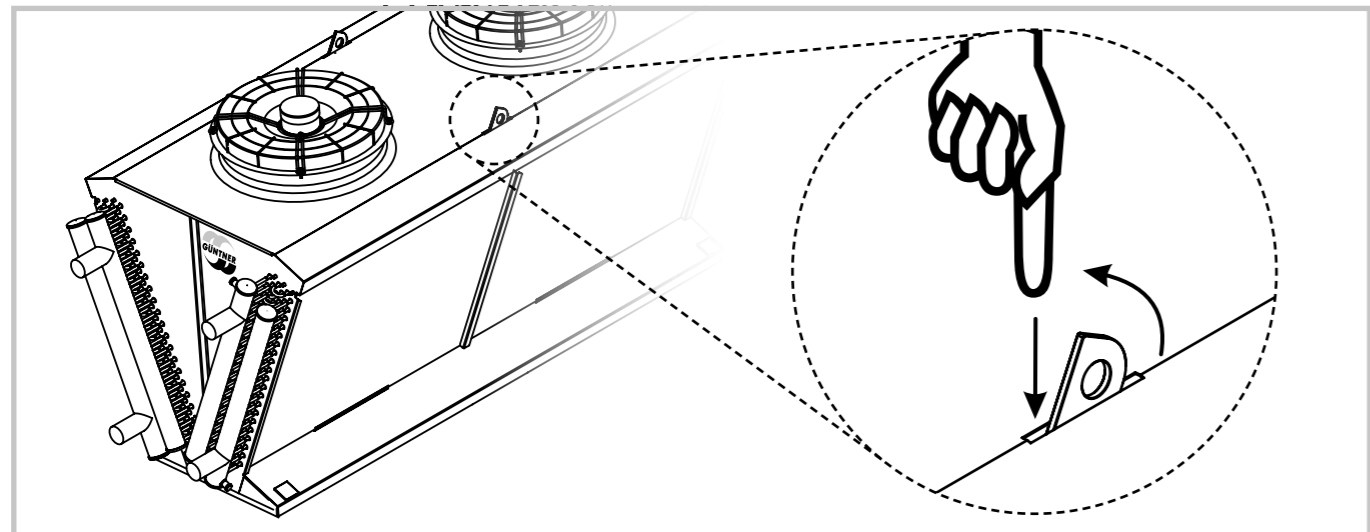


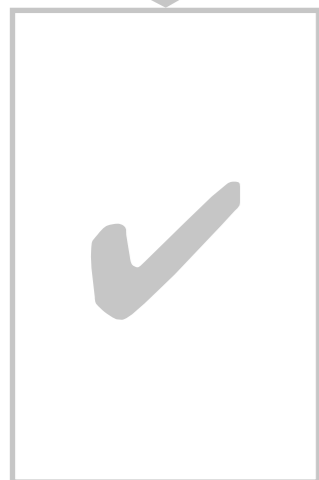
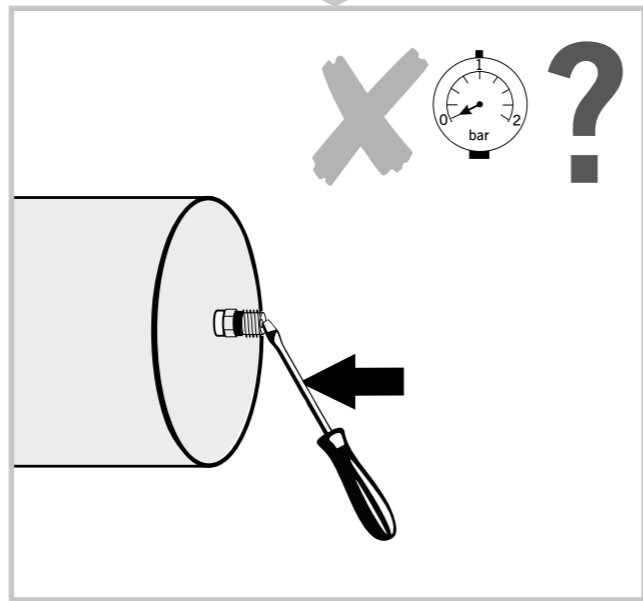
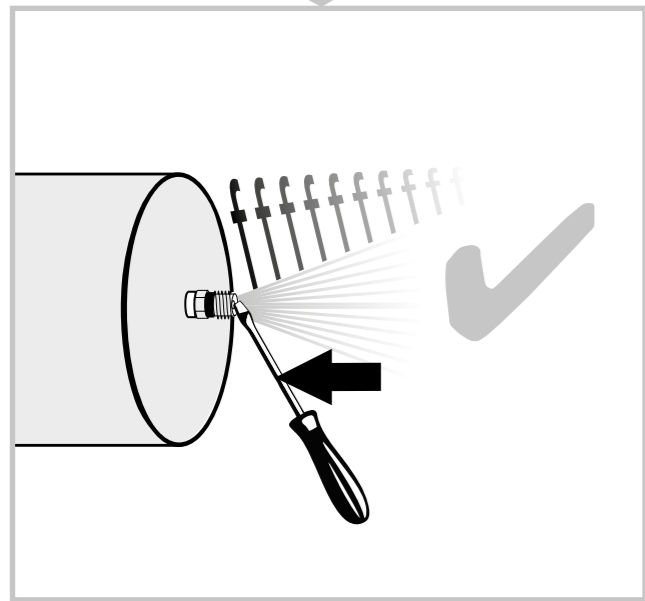
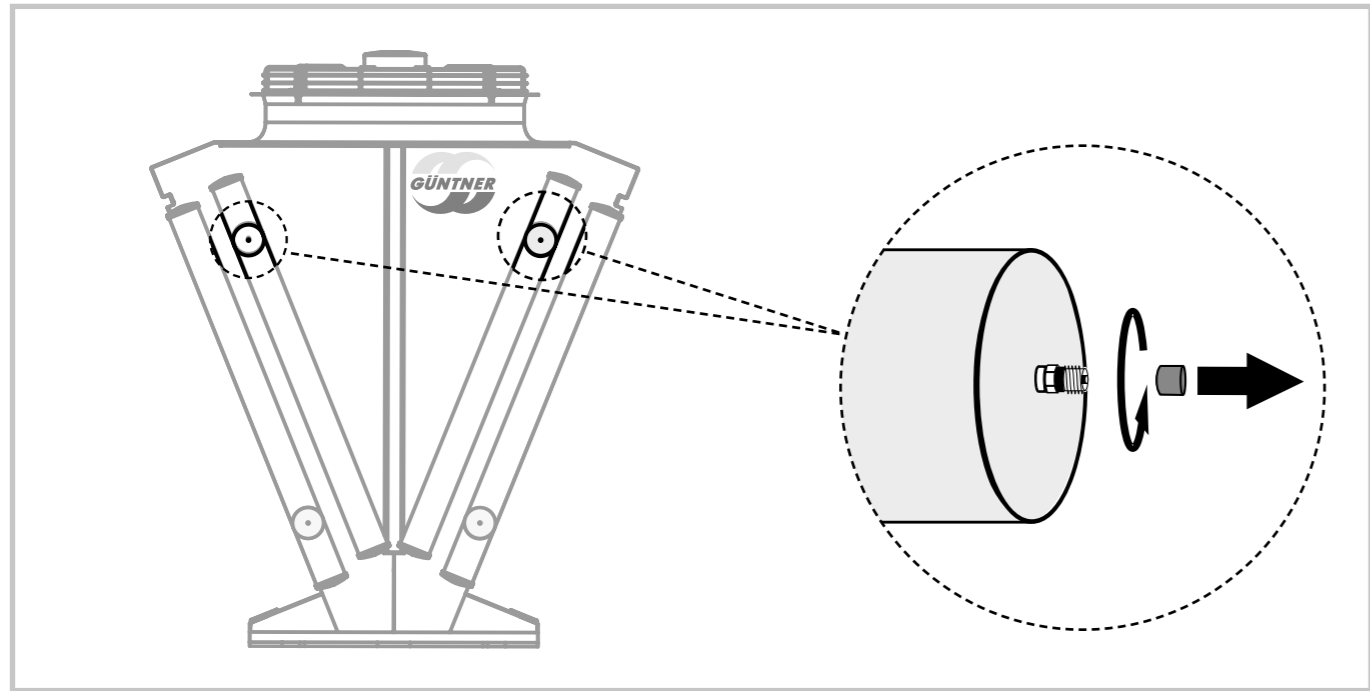
Asia - Pacific
www.guentner.asia



Europe/America/Africa
www.guentner.com

 shippingDE@guentner.com
 +49 8141 242 - 4815
 +49 8141 242 - 422

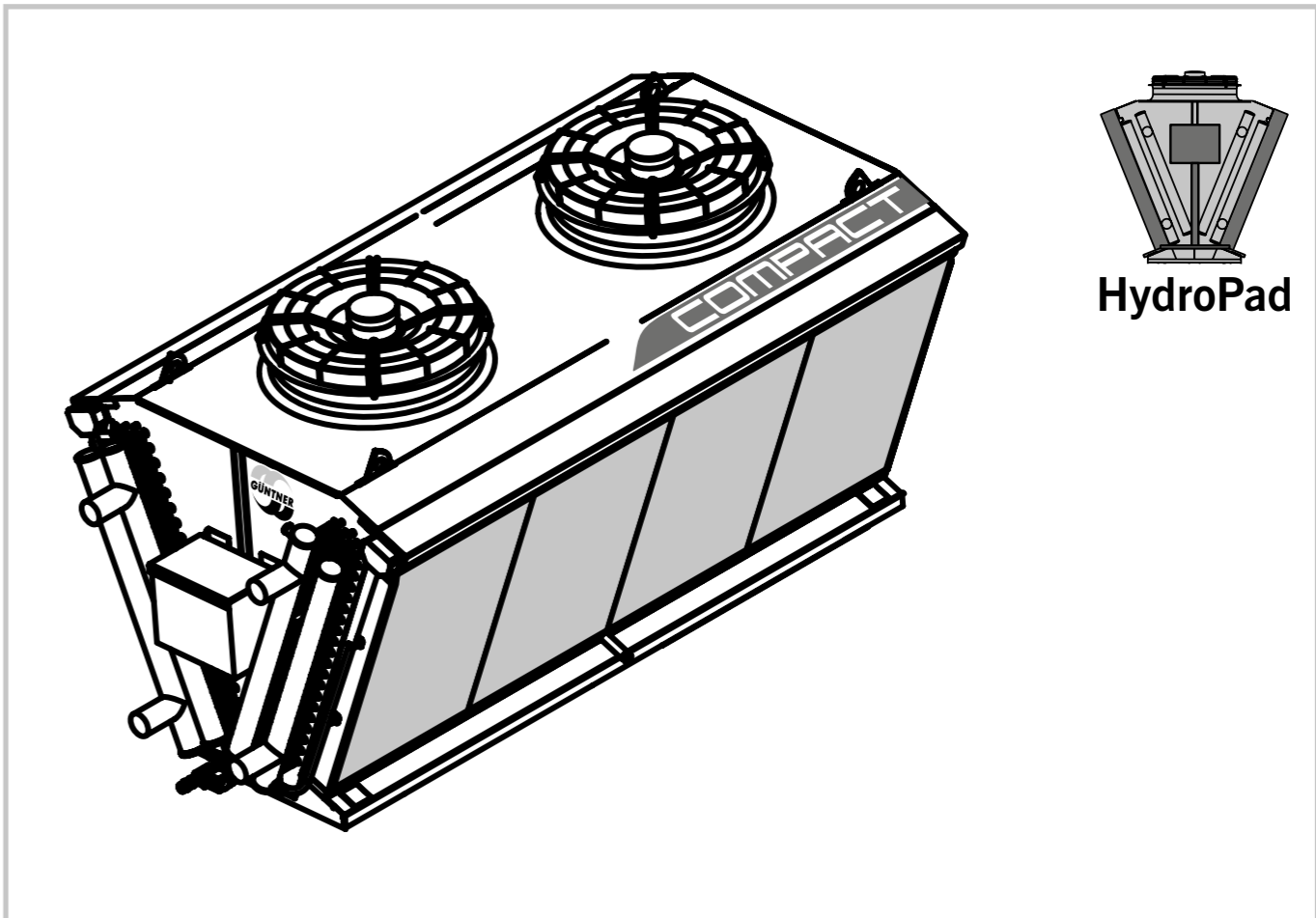
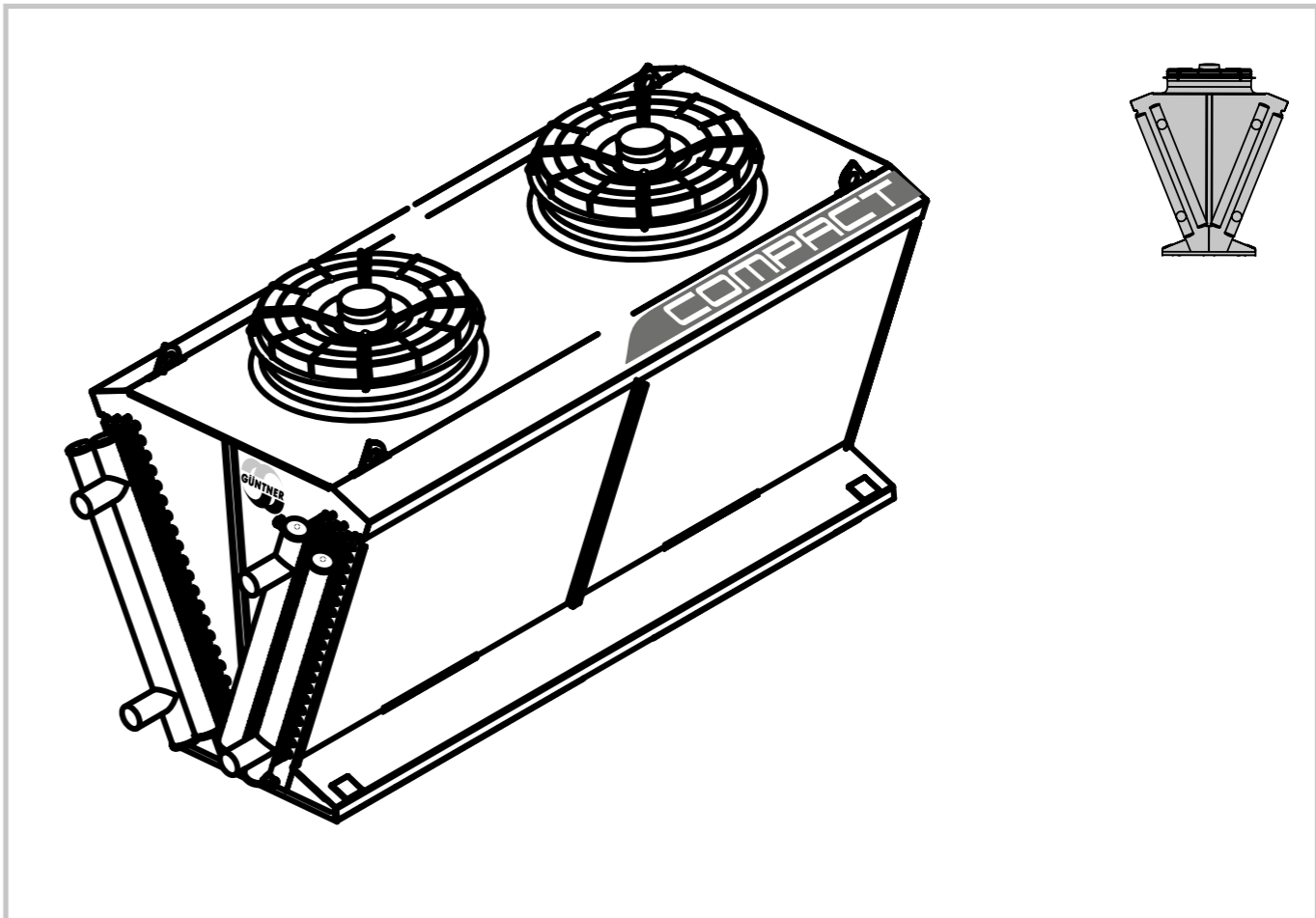




Asia - Pacific
www.guentner.asia

Europe/America/Africa
www.guentner.com

shippingDE@guentner.com
 +49 8141 242 - 4815
 +49 8141 242 - 422

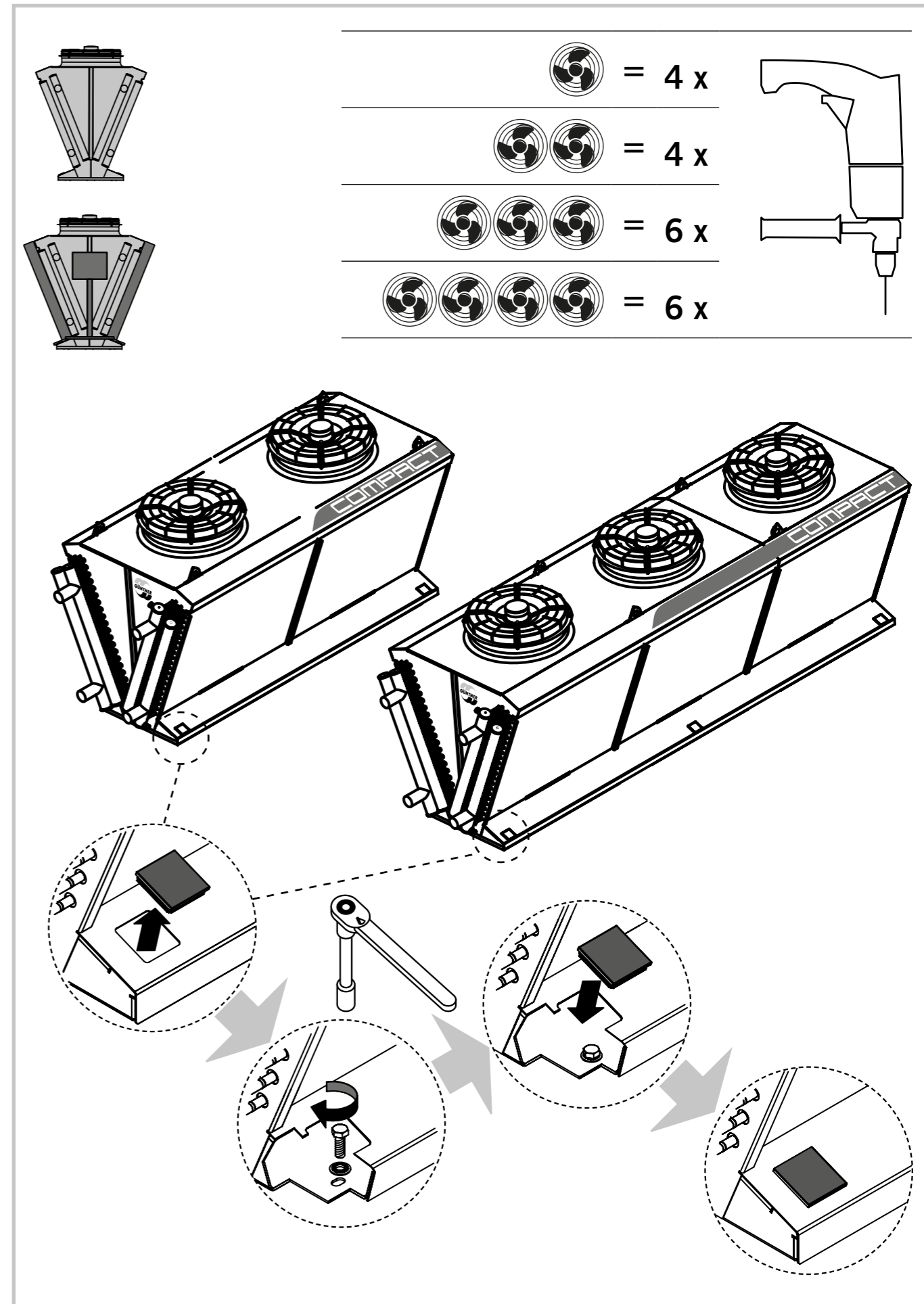
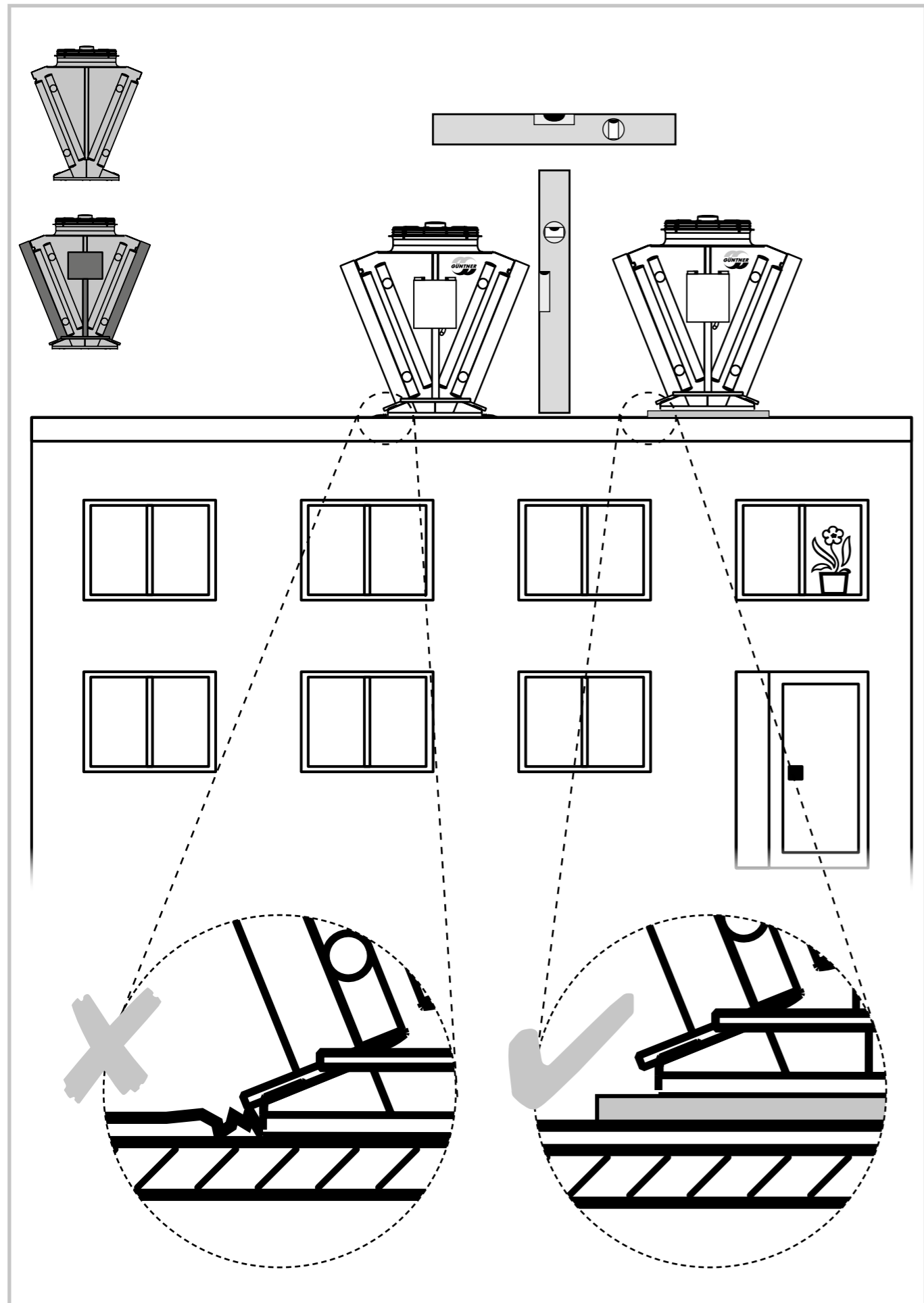


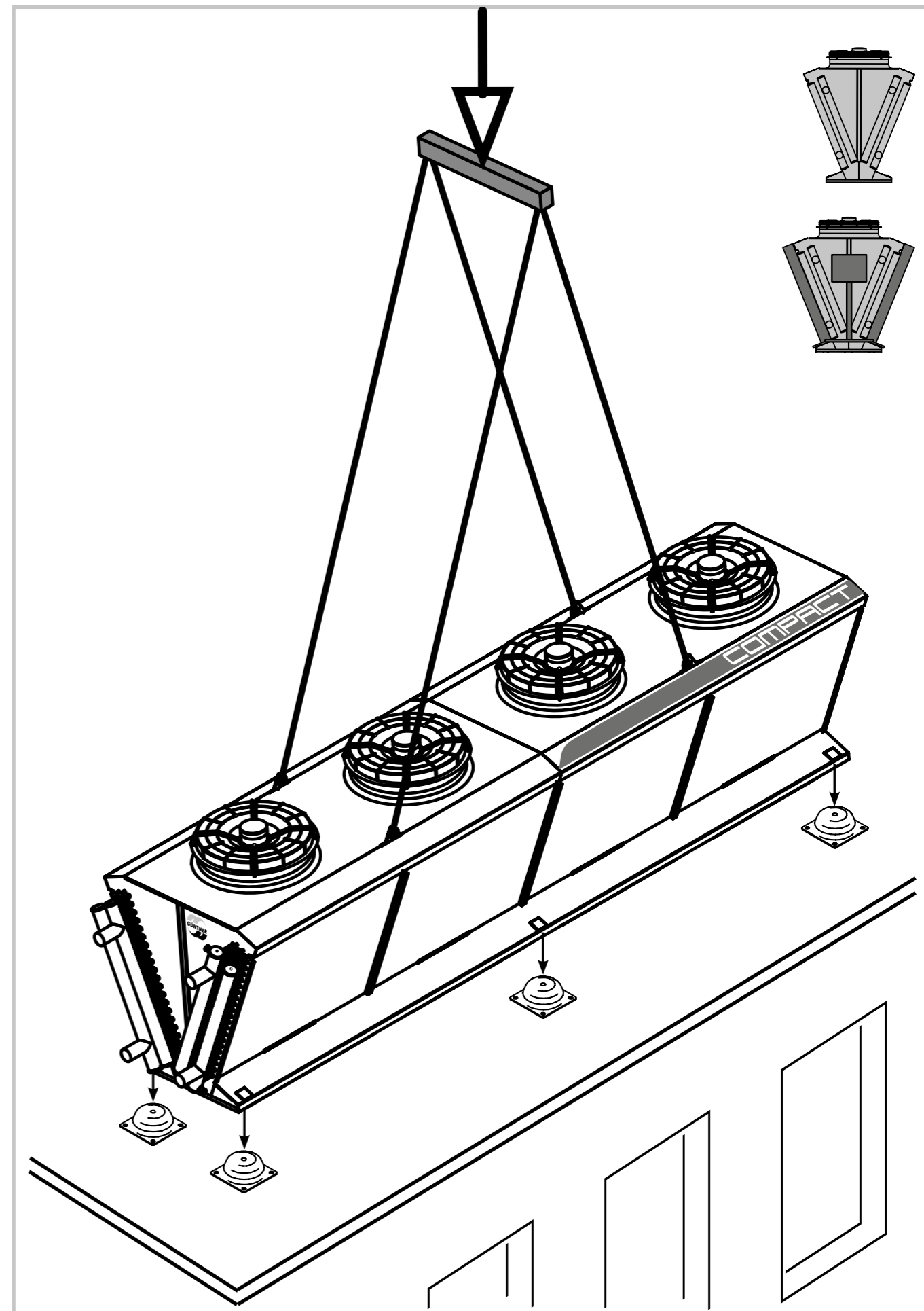
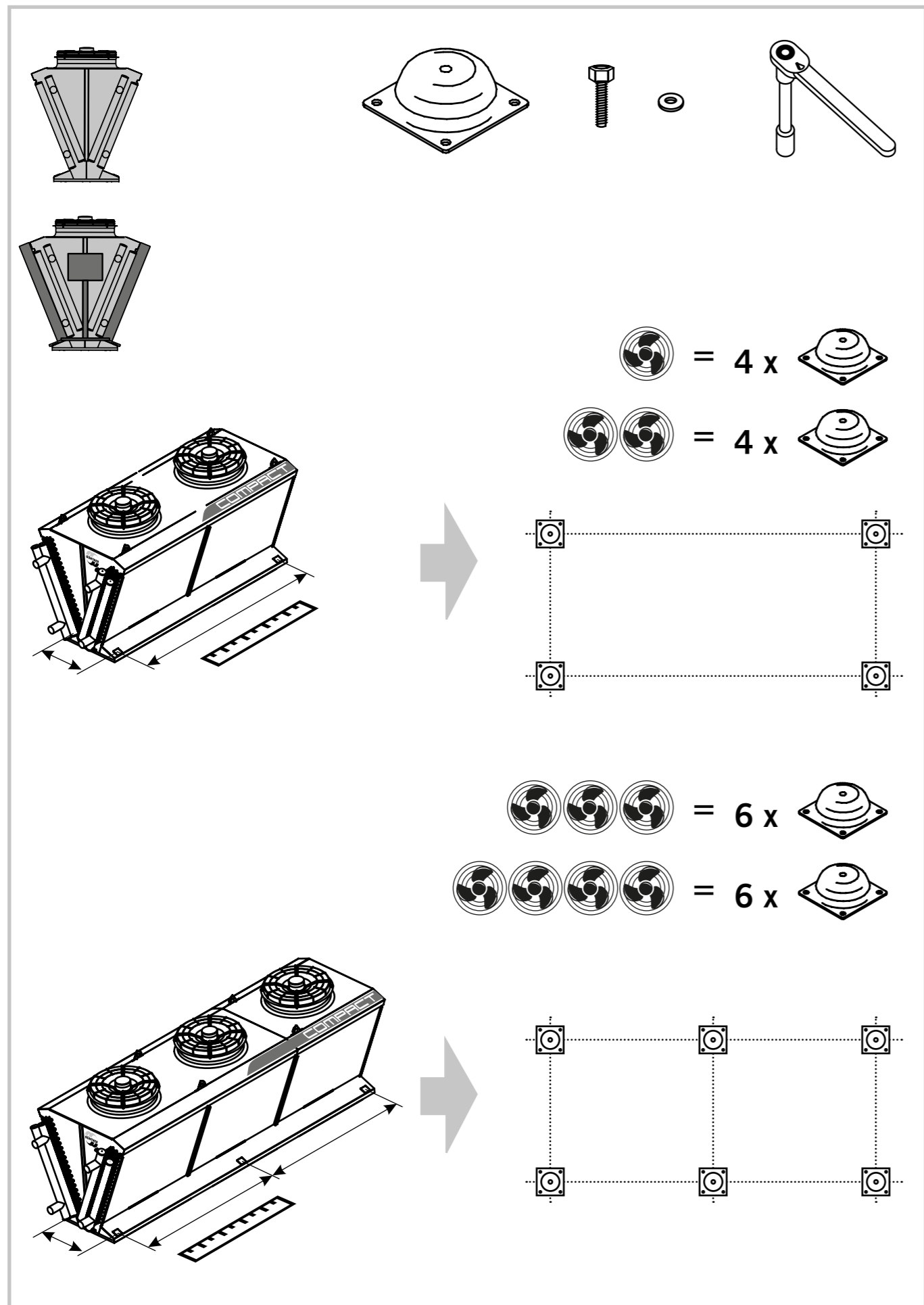
A_{min}	
	$\geq 0,20 \text{ m}$
	$\geq 0,50 \text{ m}$
	$\geq 0,90 \text{ m}$
	$\geq 1,25 \text{ m}$

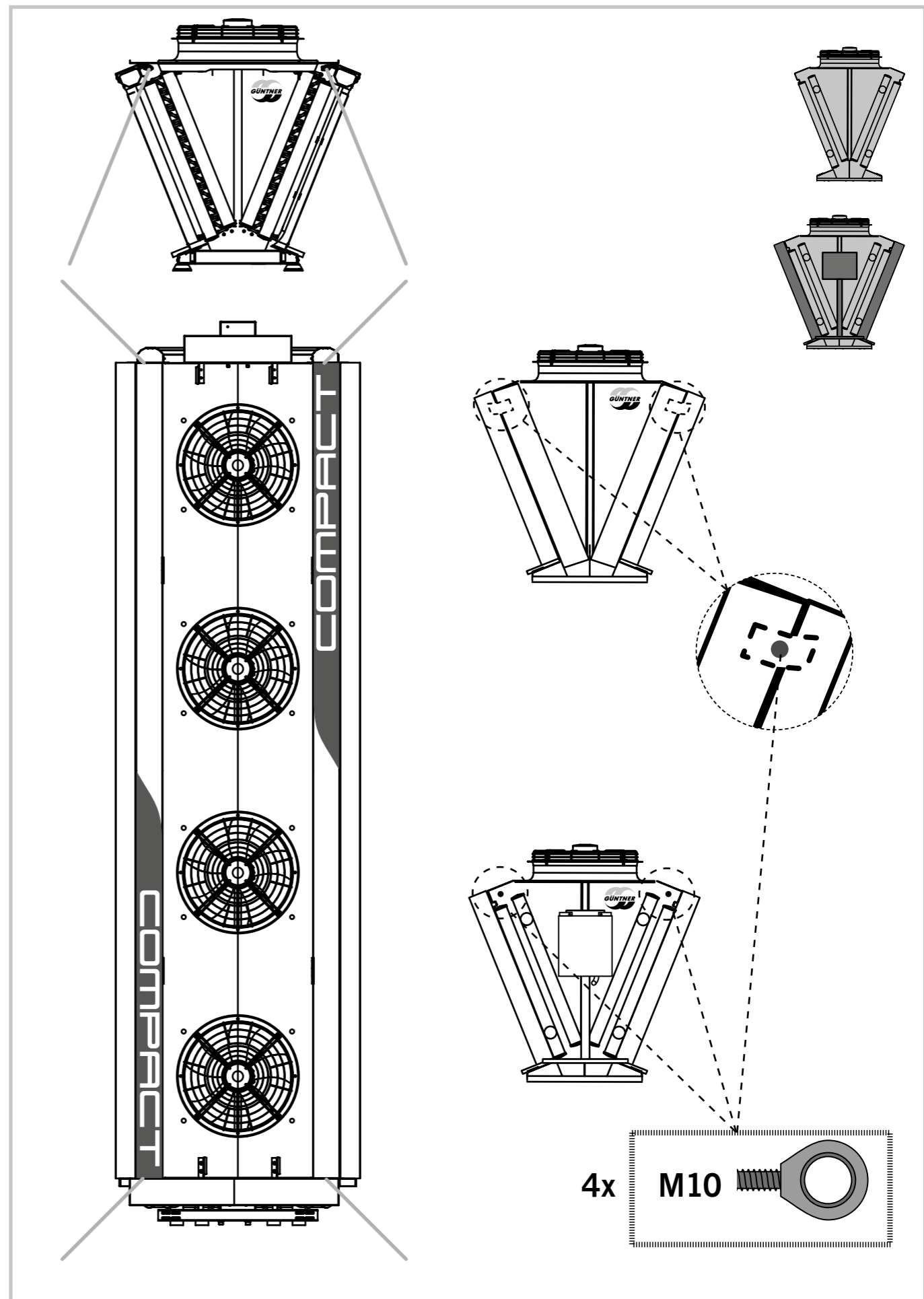
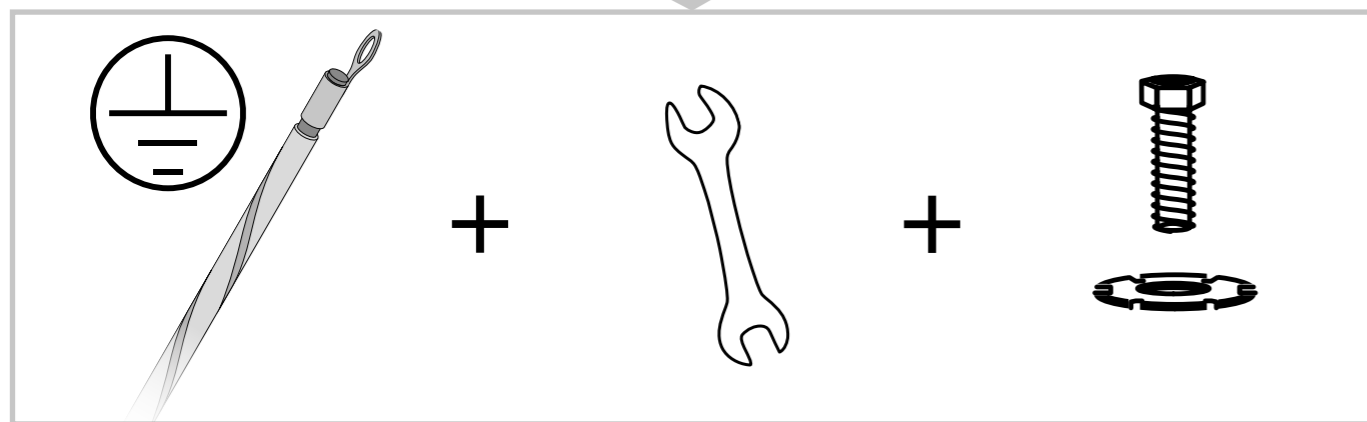
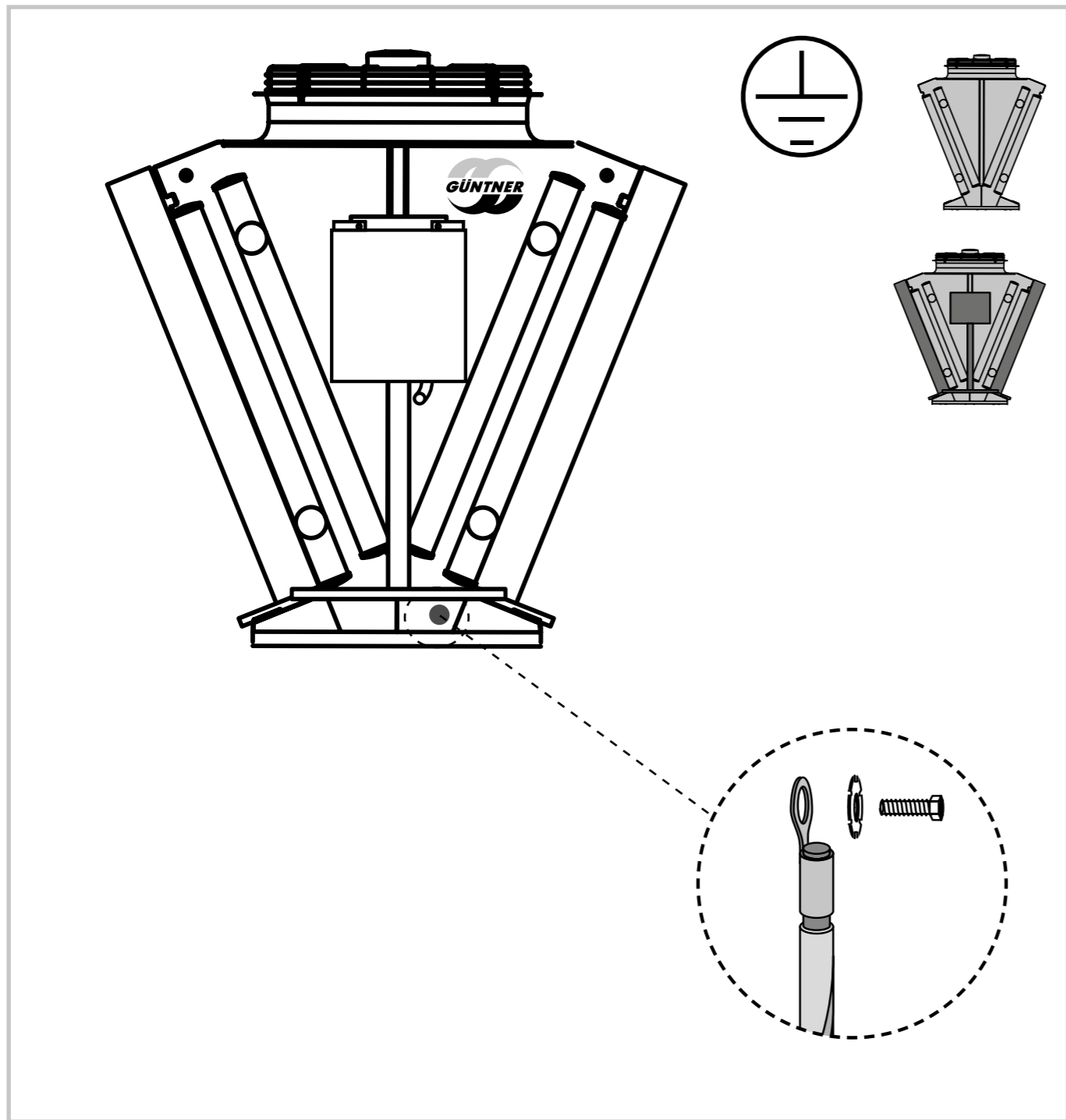
A_{min}

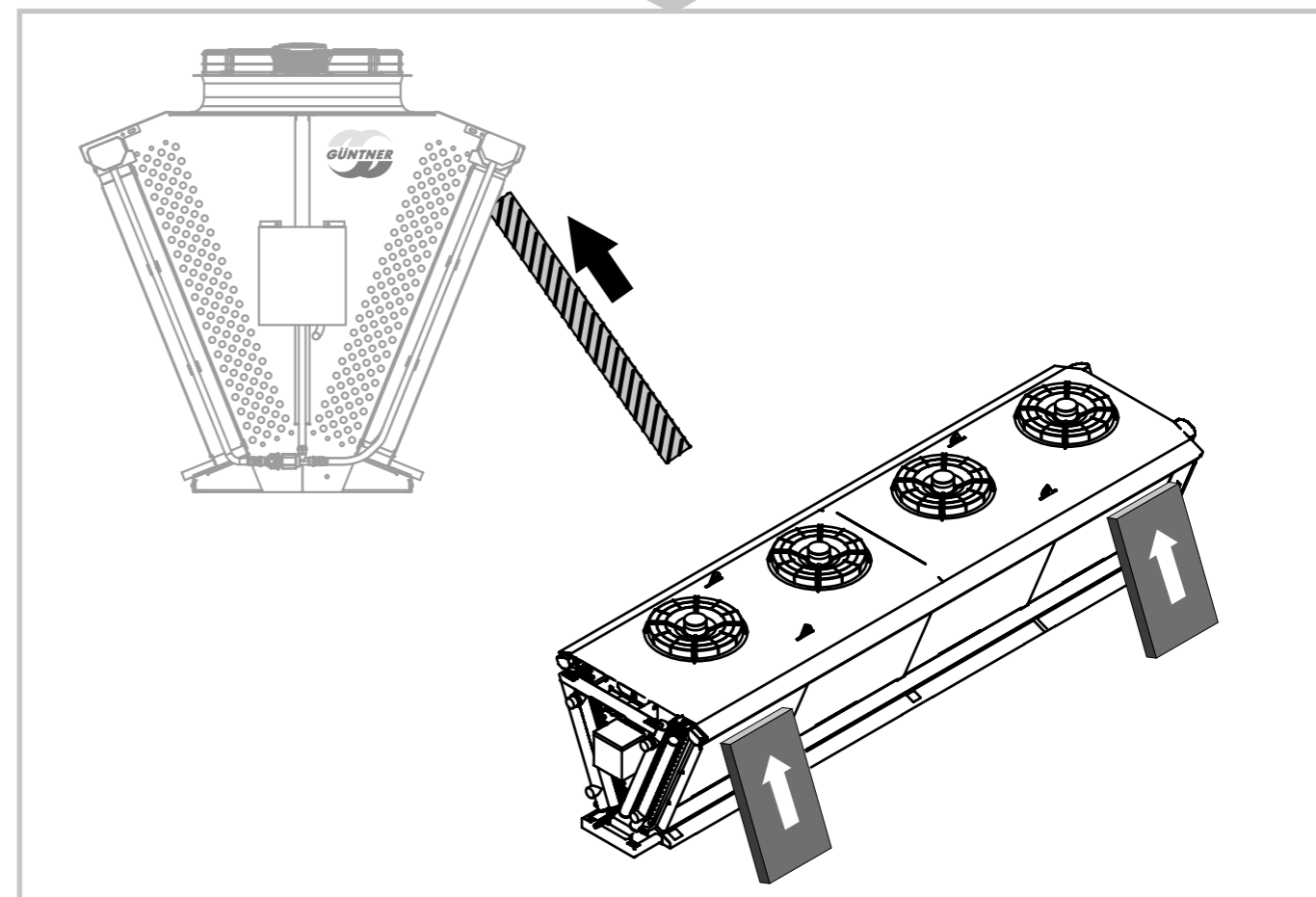
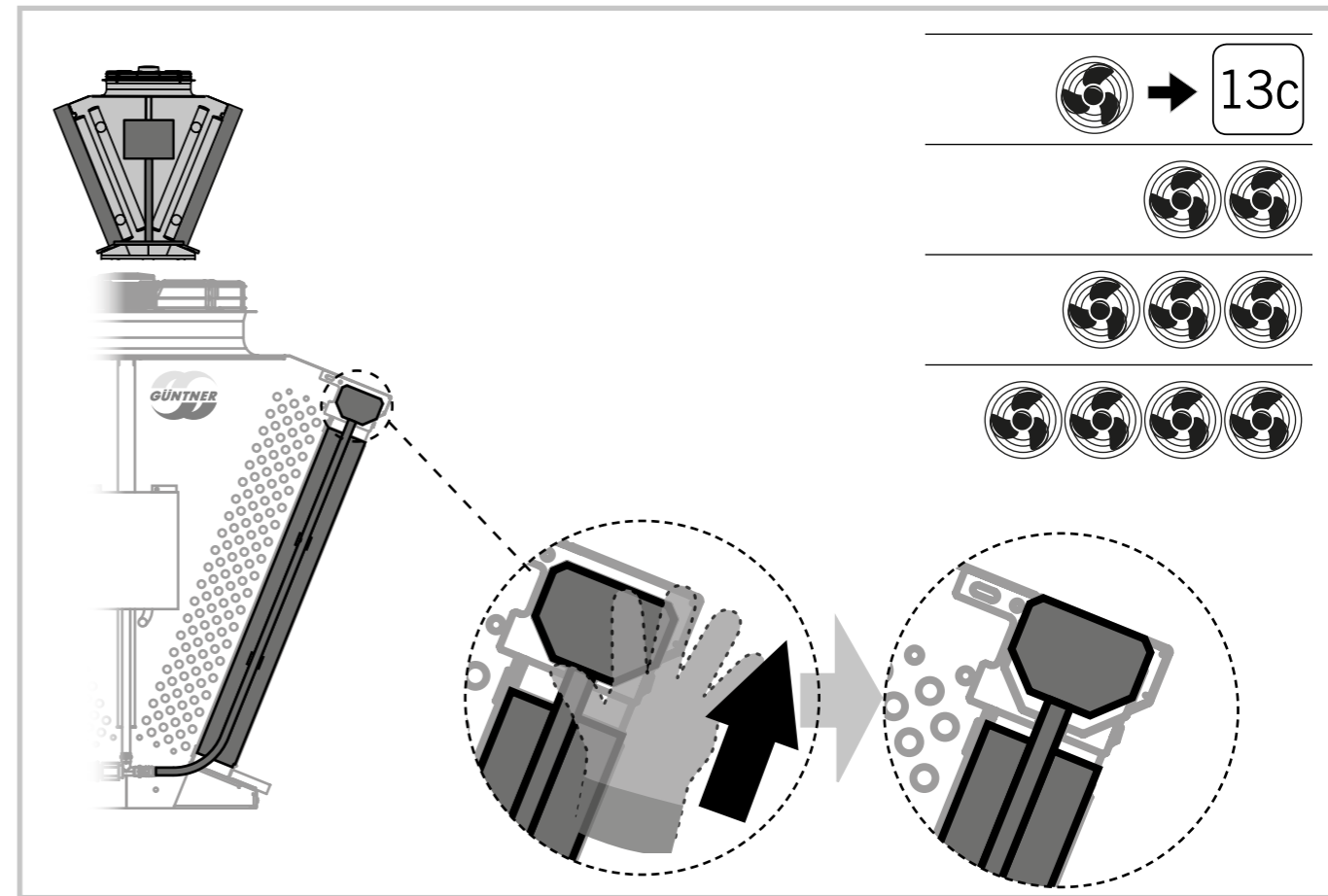
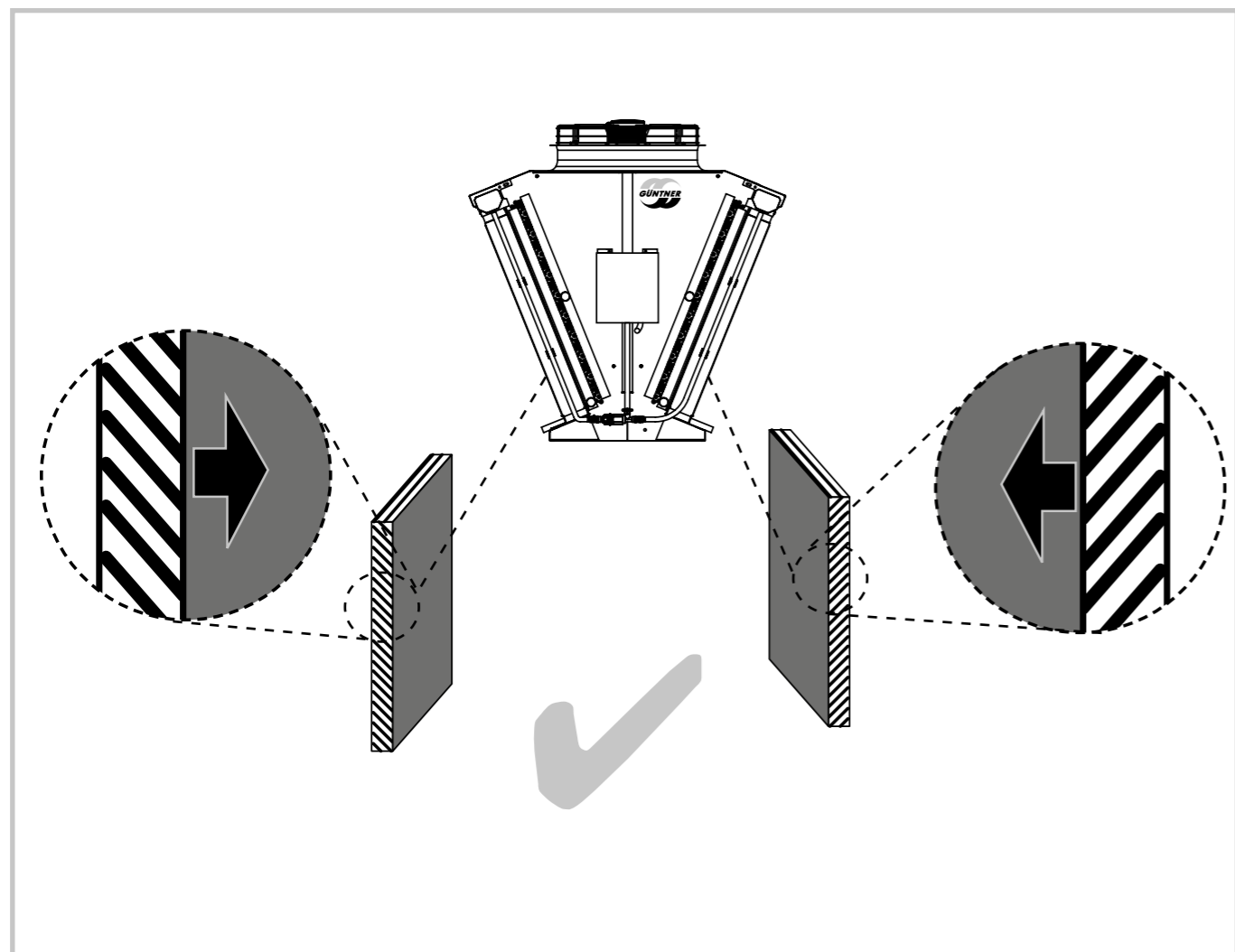
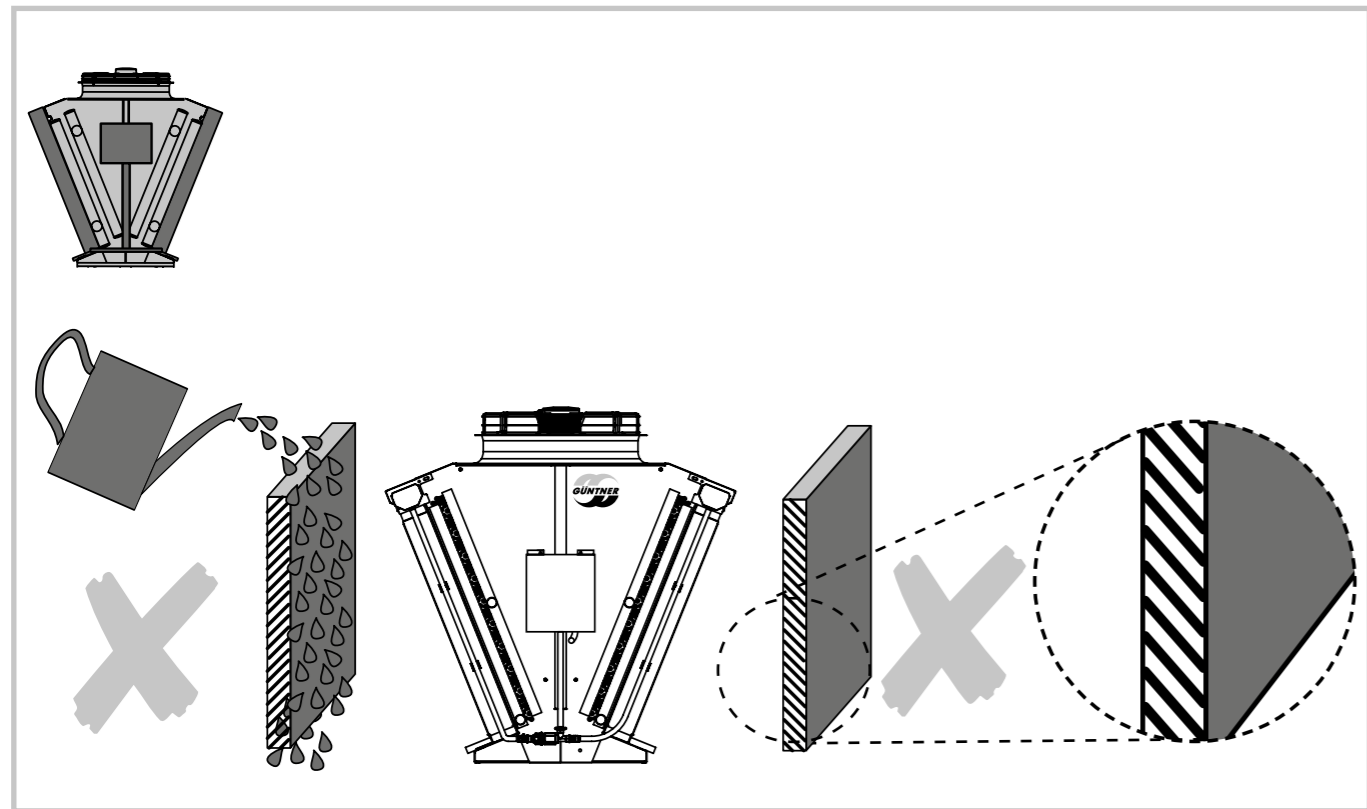
A_{min}	
	$\geq 1,00 \text{ m}$
	$\geq 1,00 \text{ m}$
	$\geq 1,80 \text{ m}$
	$\geq 2,50 \text{ m}$

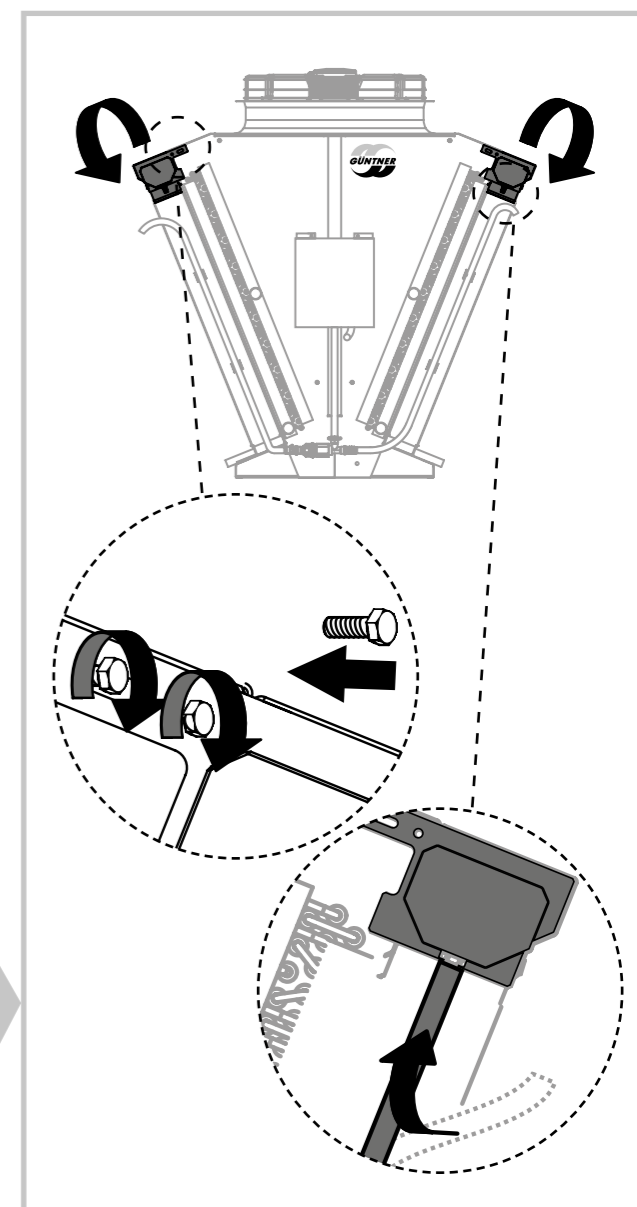
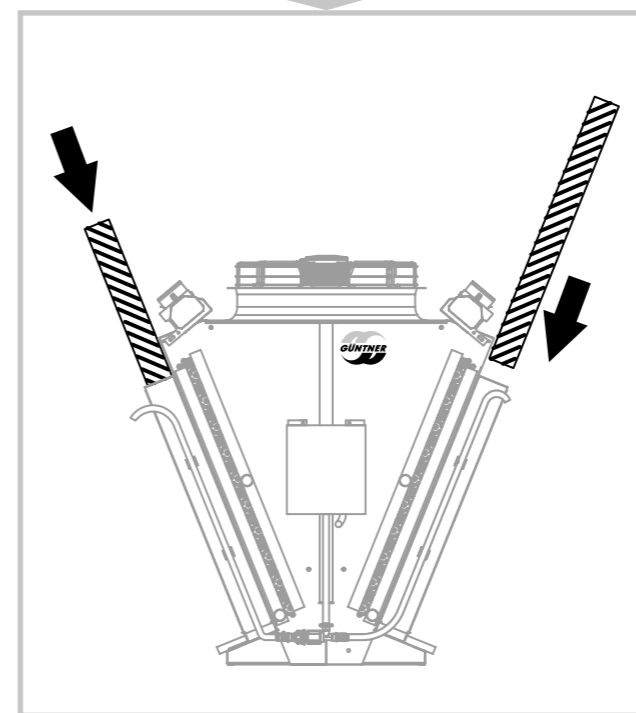
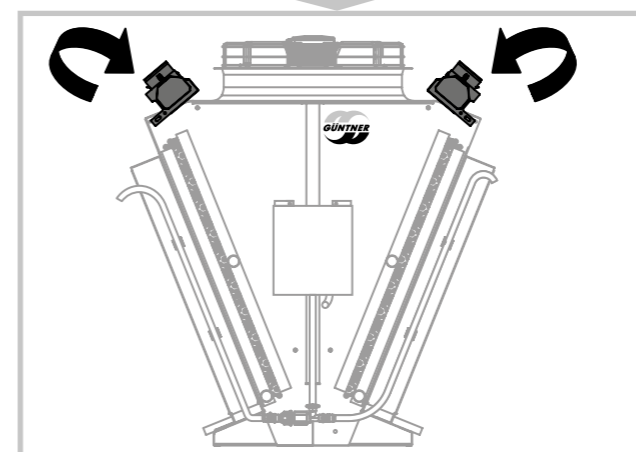
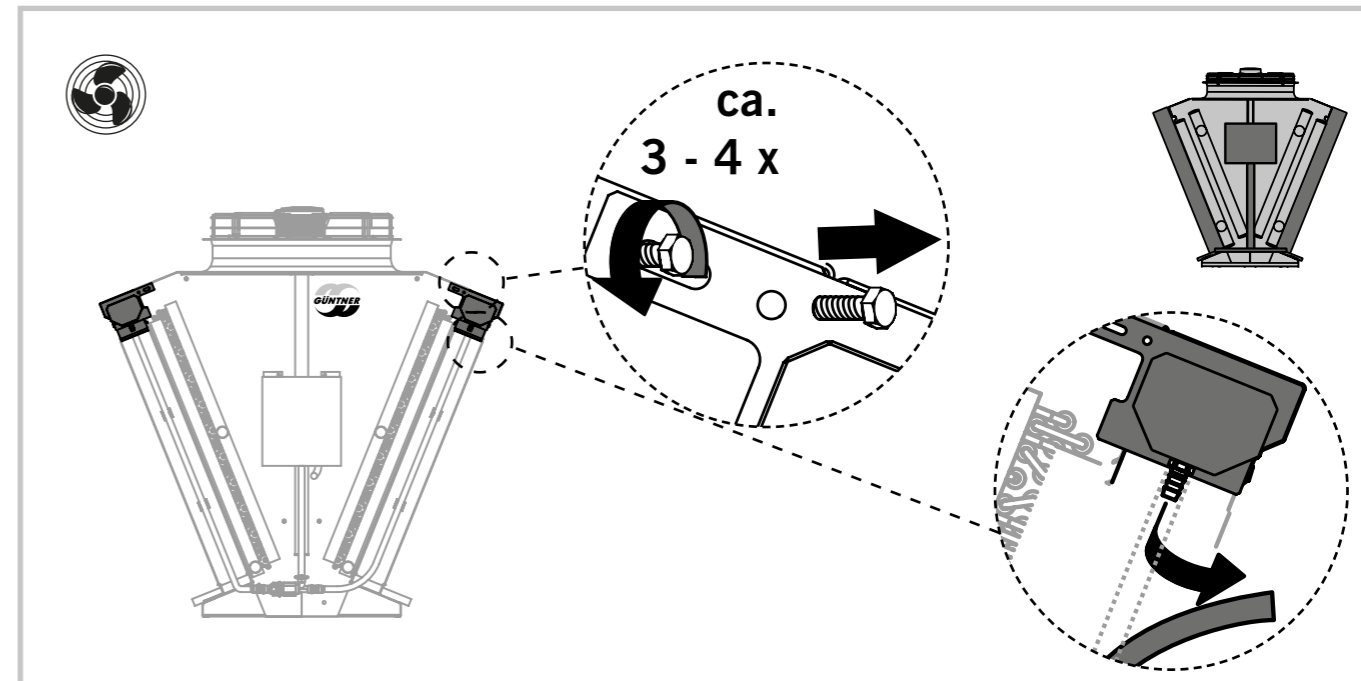
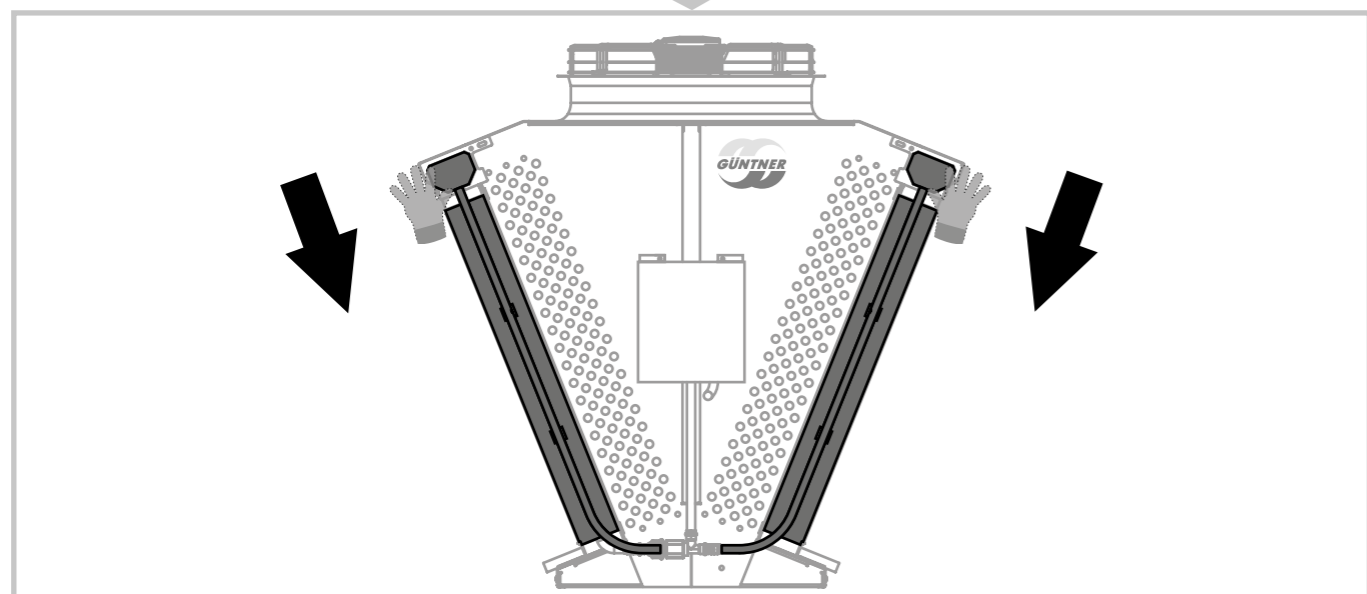
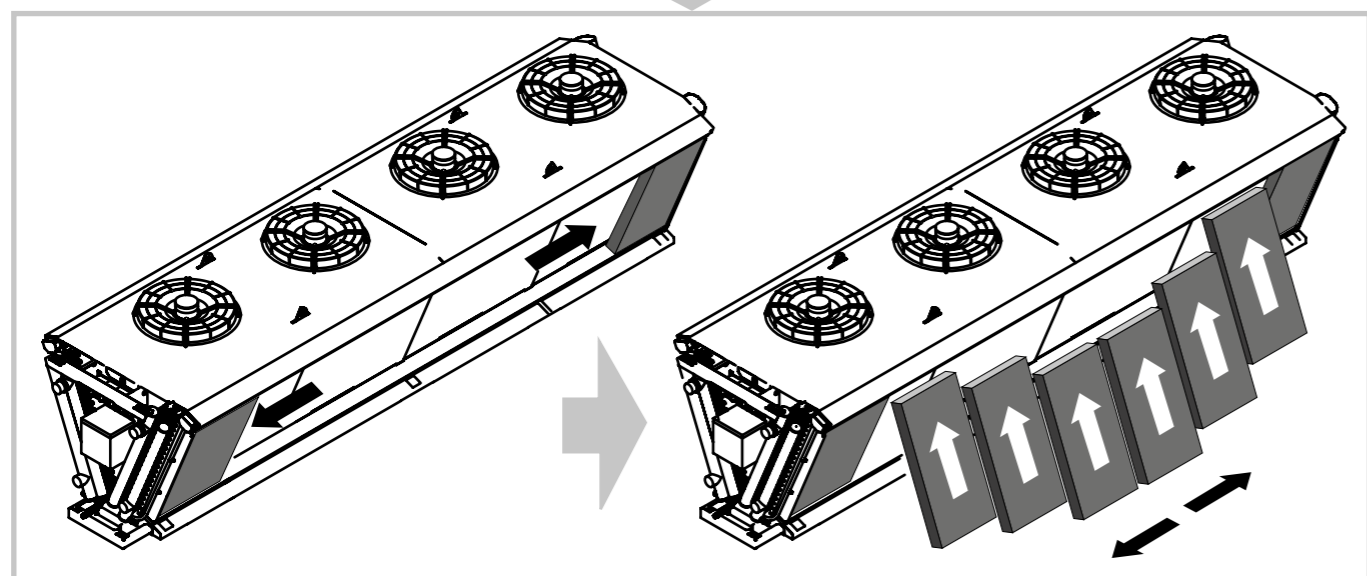
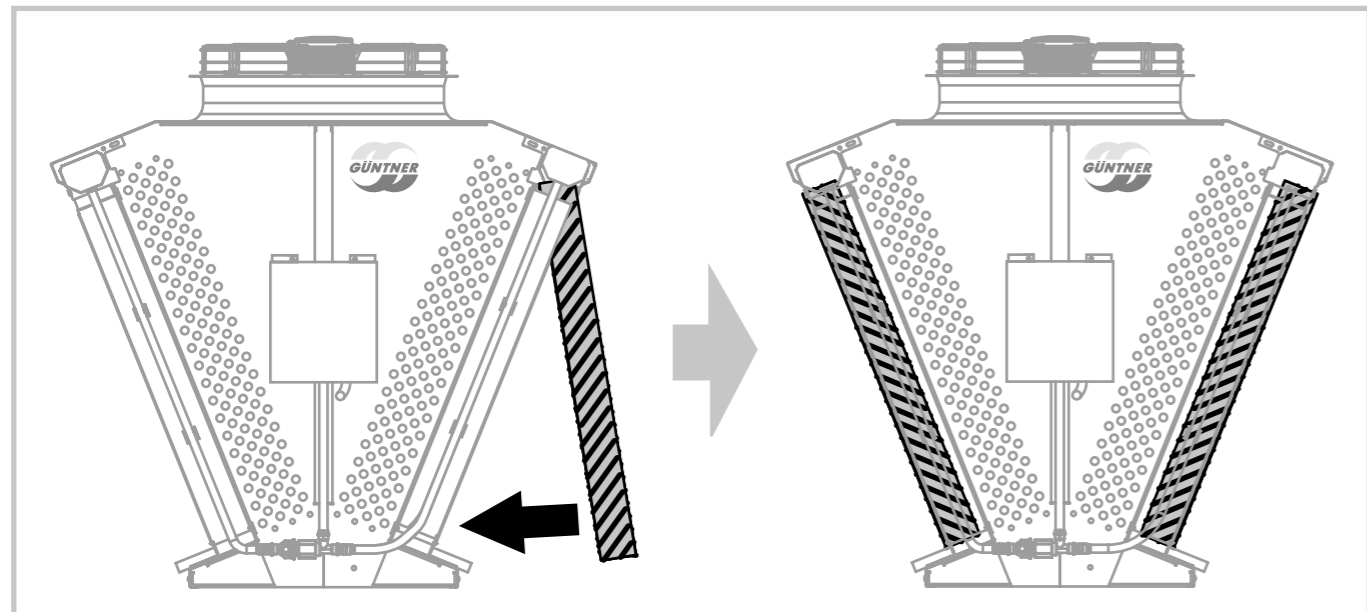
A_{min}	H
	$0,35 \text{ m}$
	$0,35 \text{ m}$
	$0,45 \text{ m}$
	$0,55 \text{ m}$

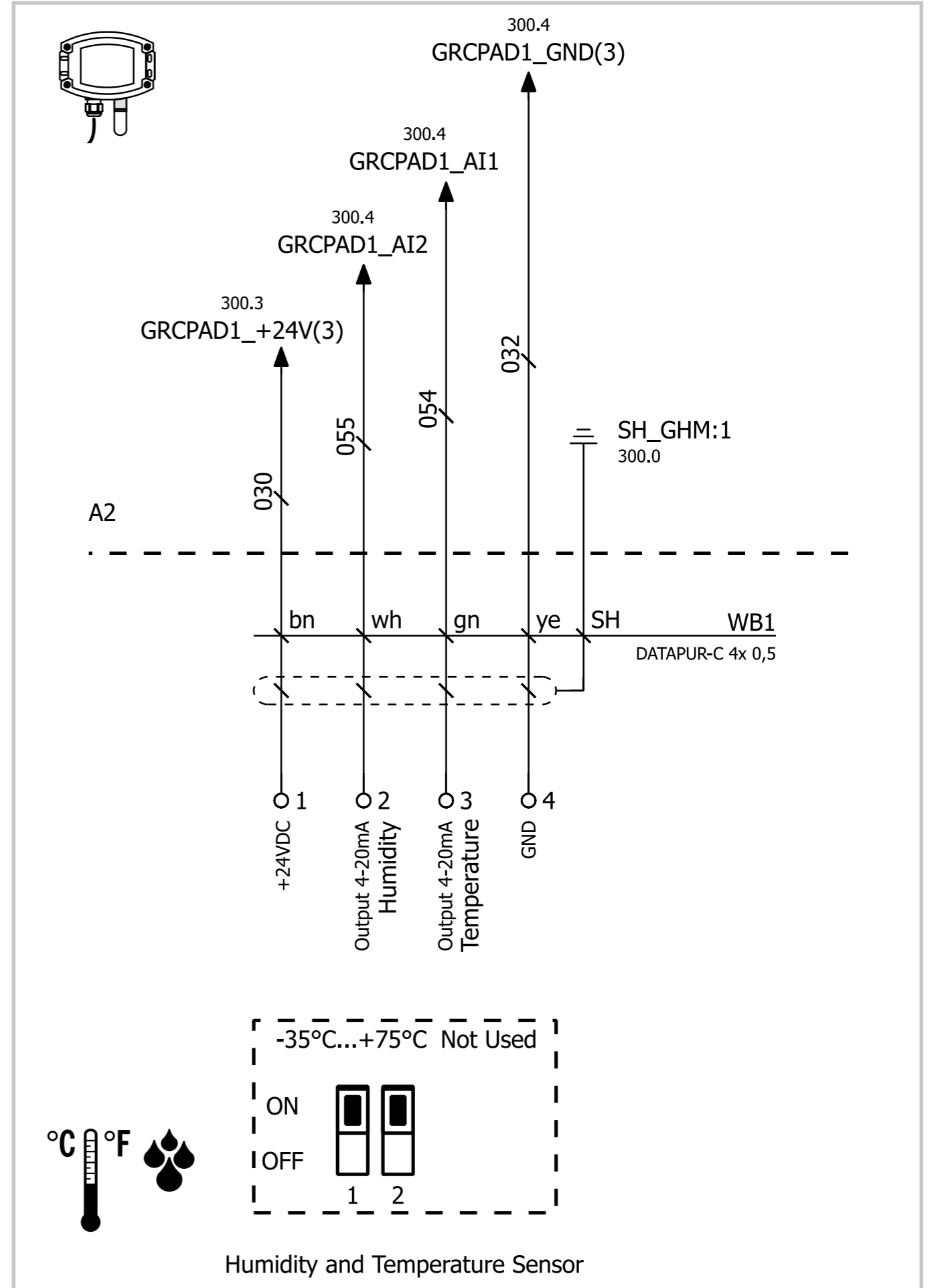
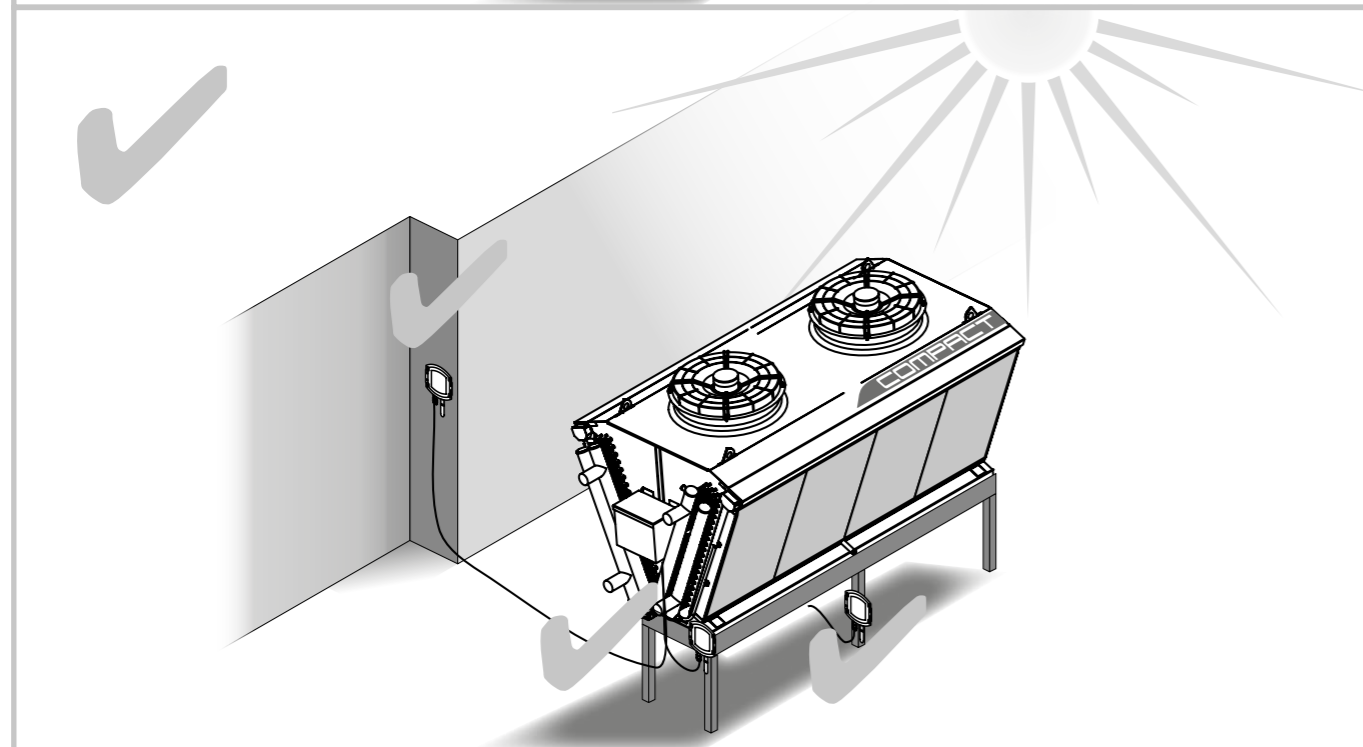
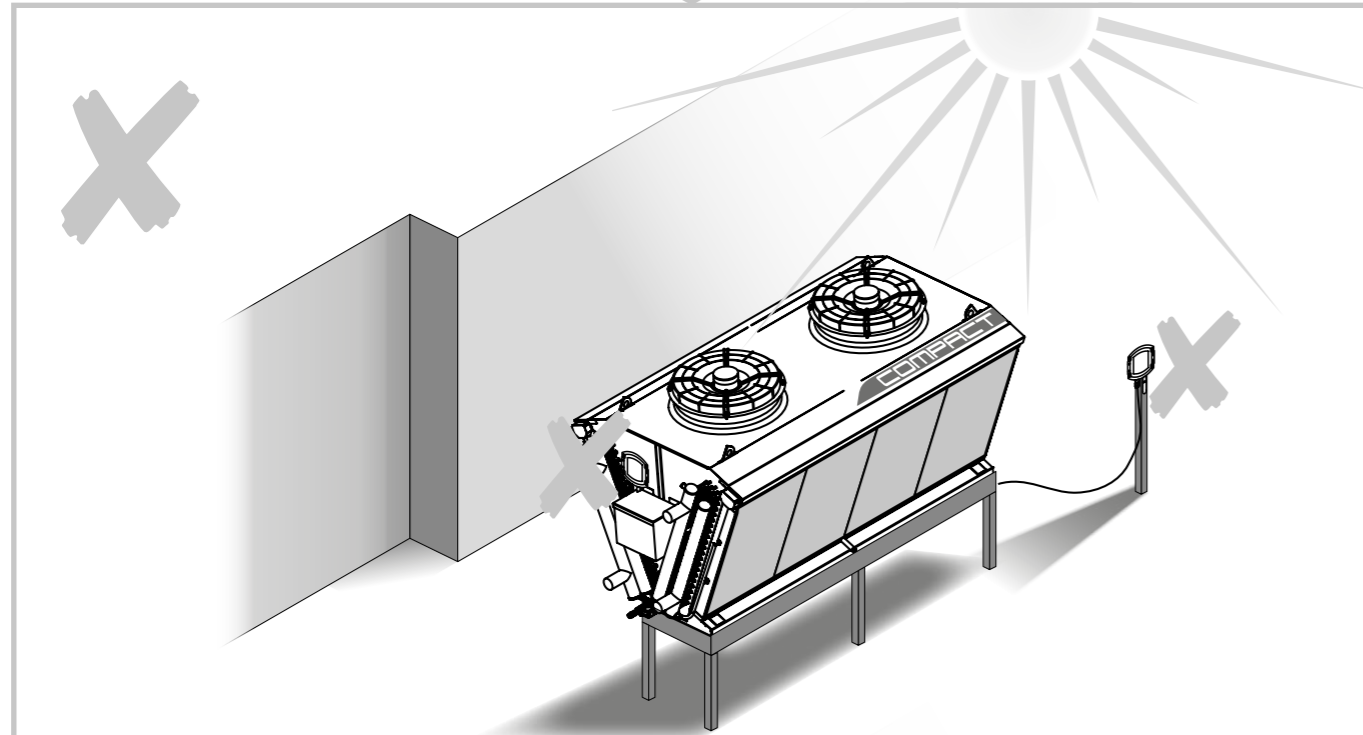
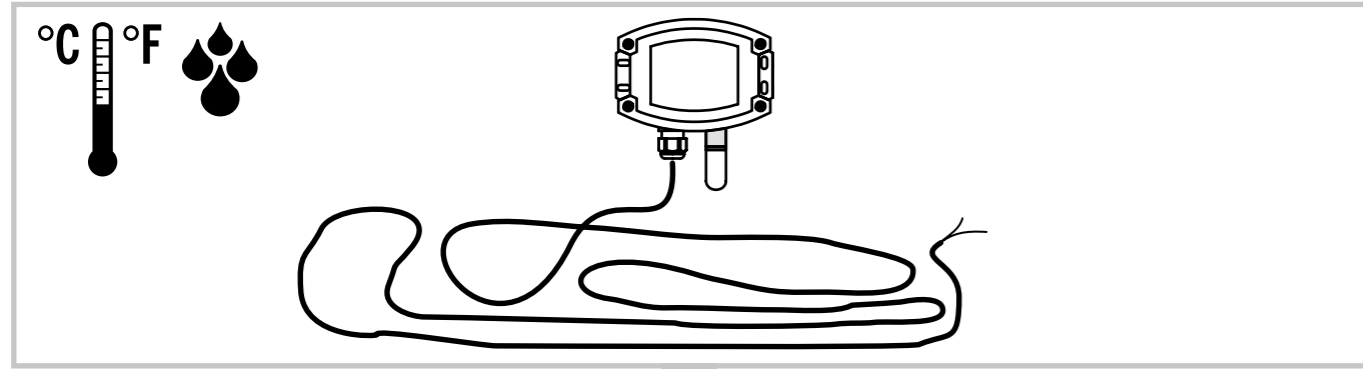


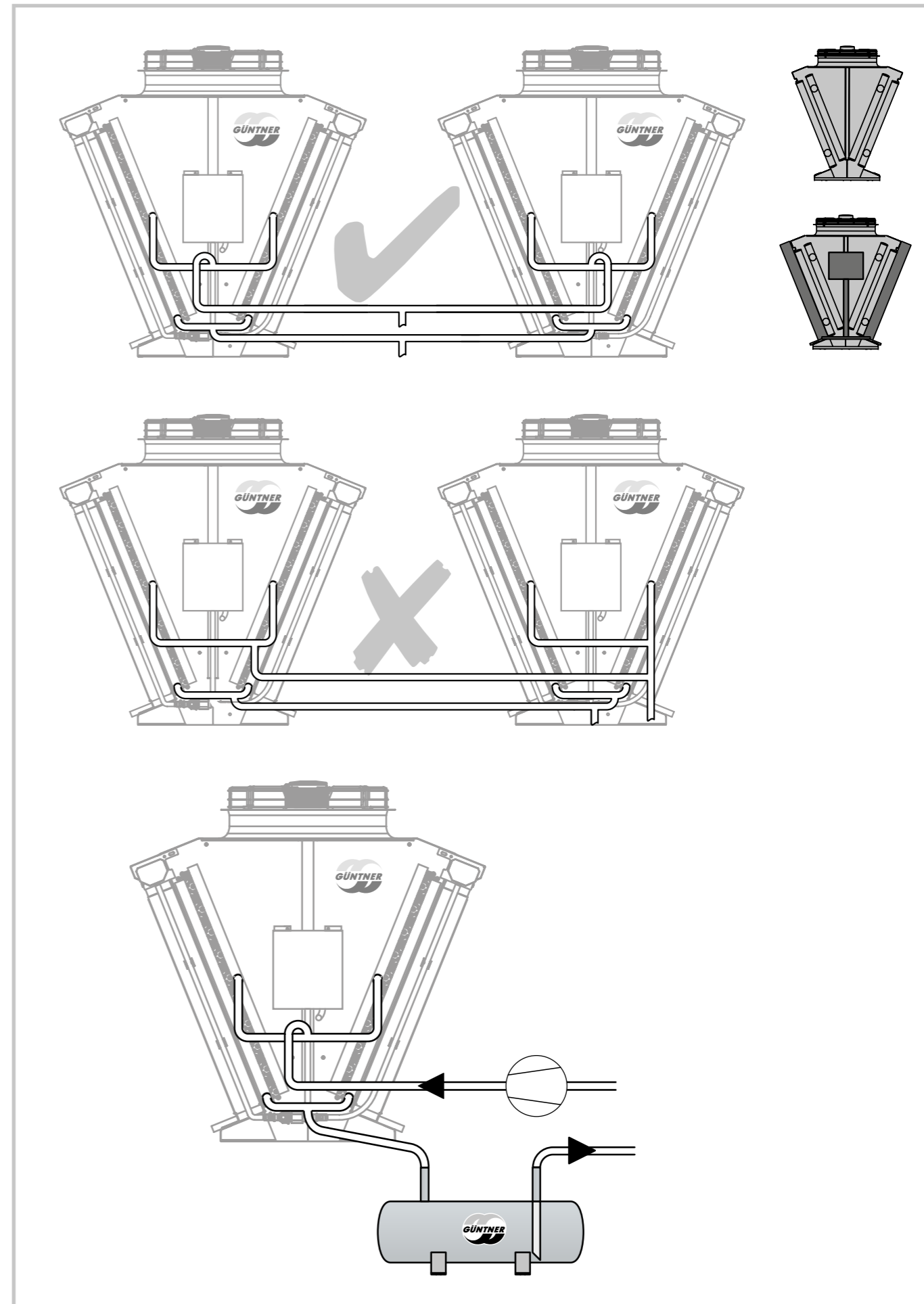
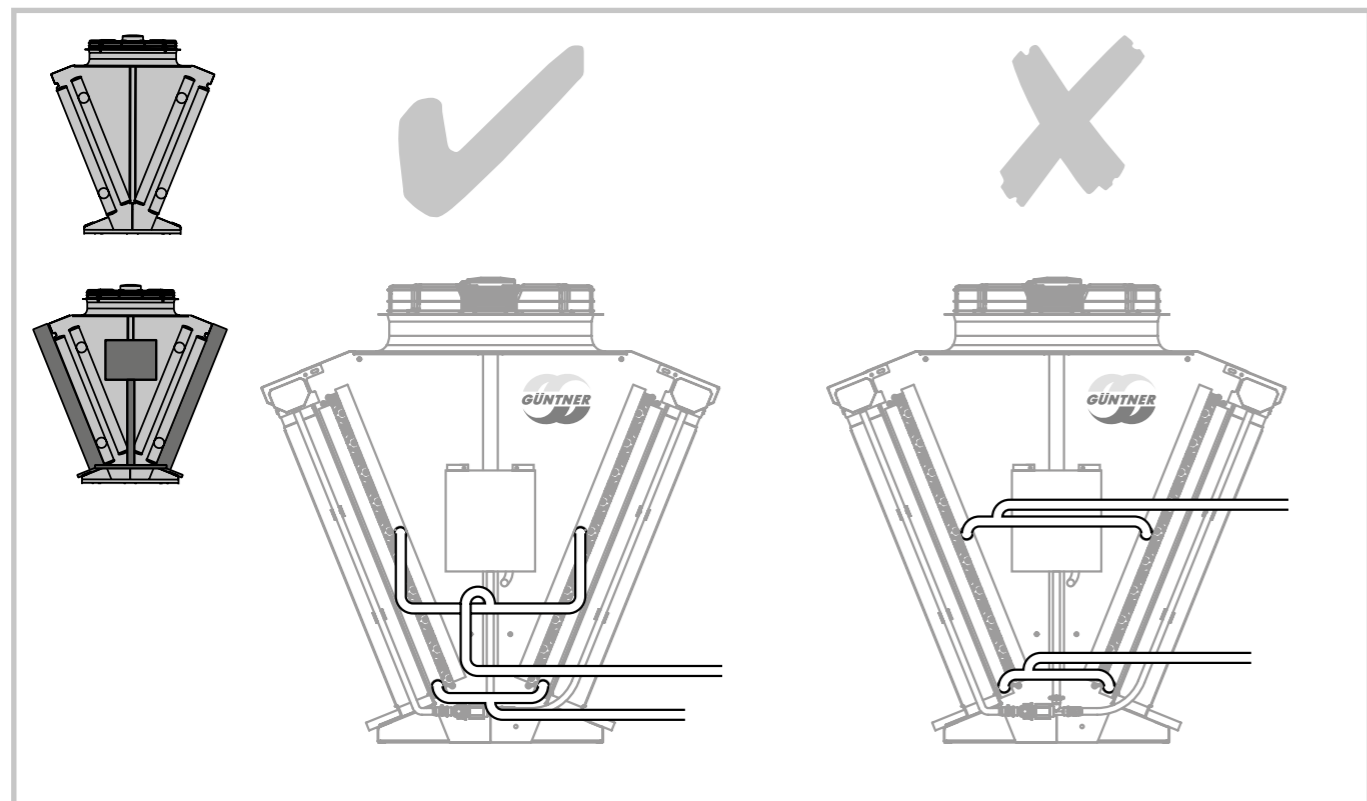
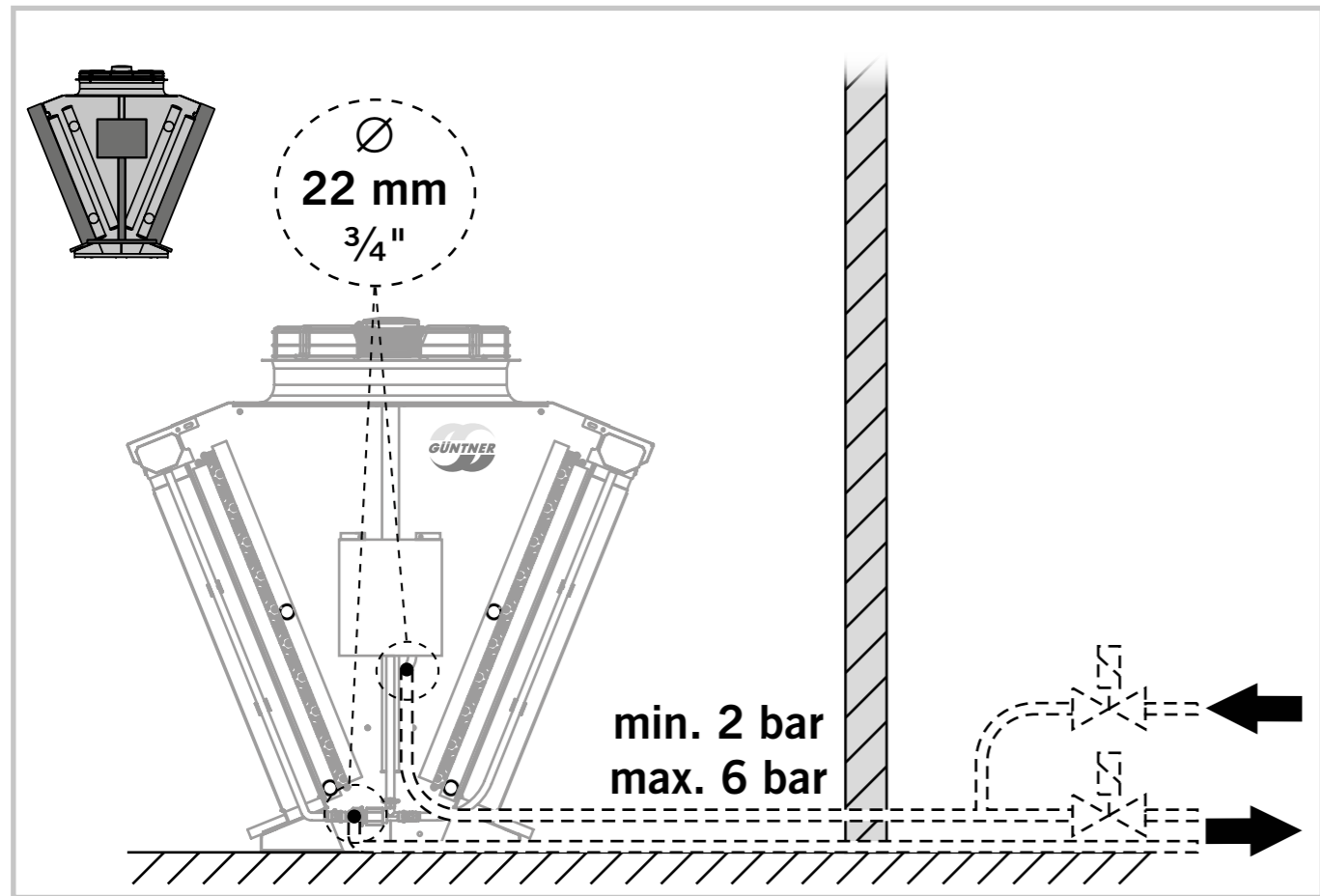




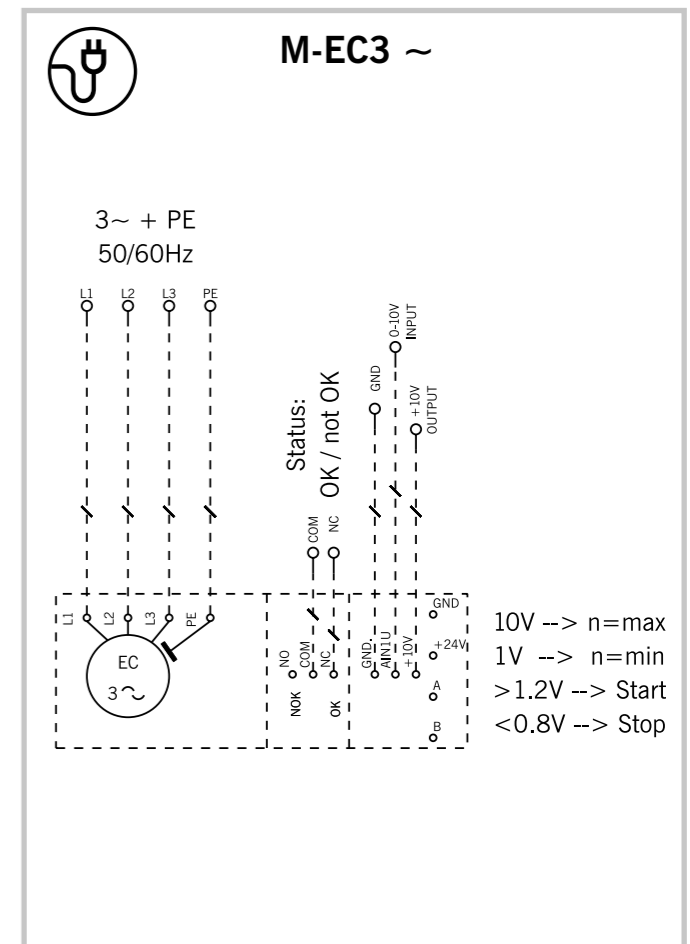
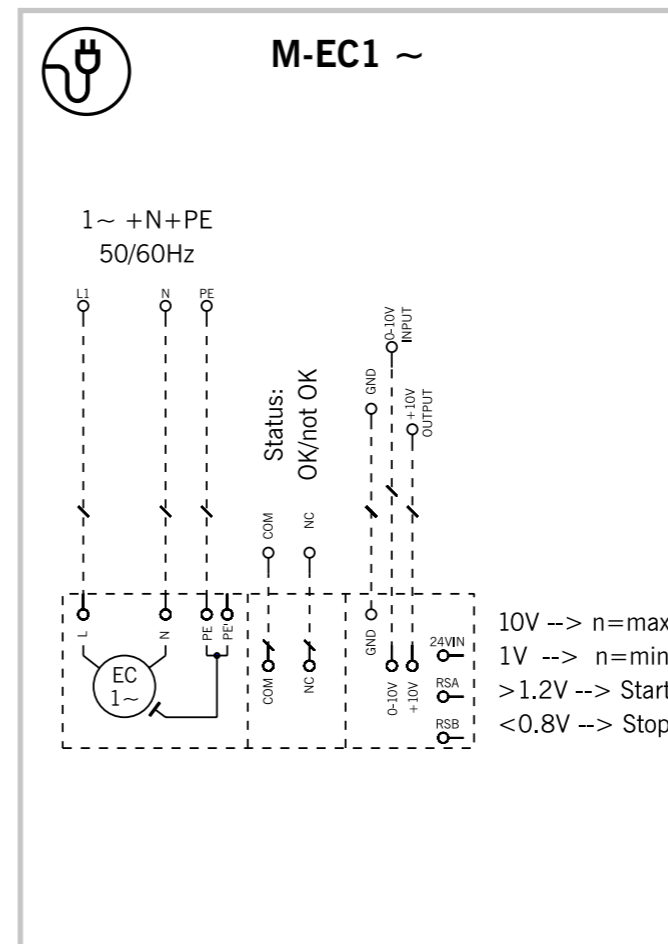
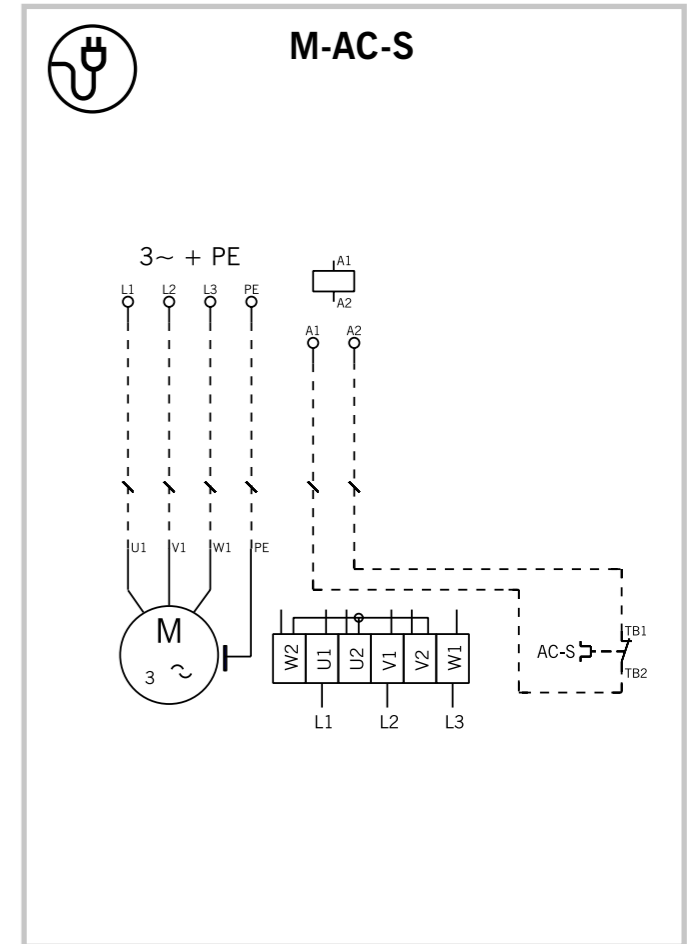
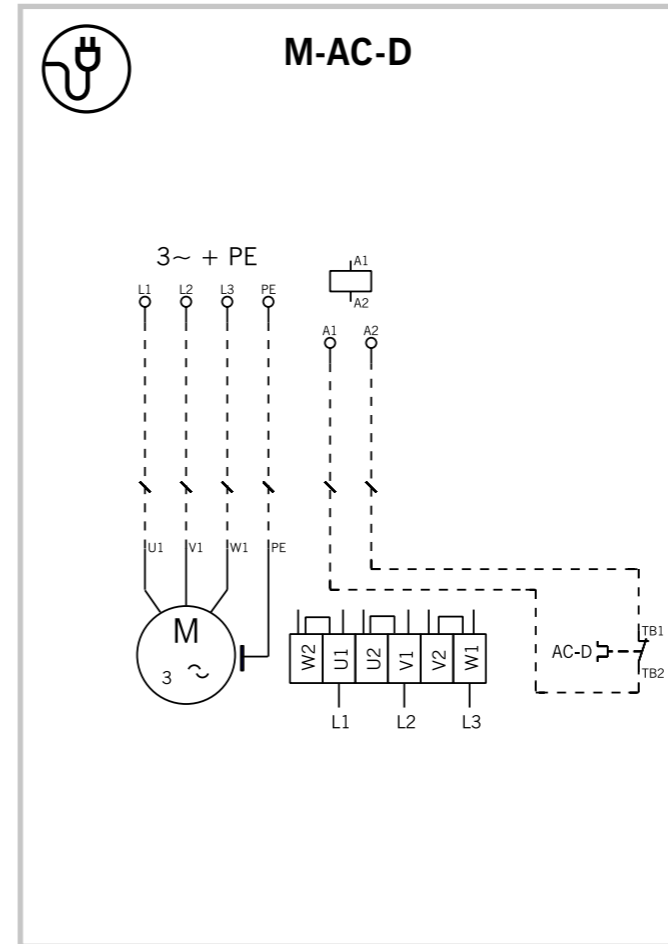


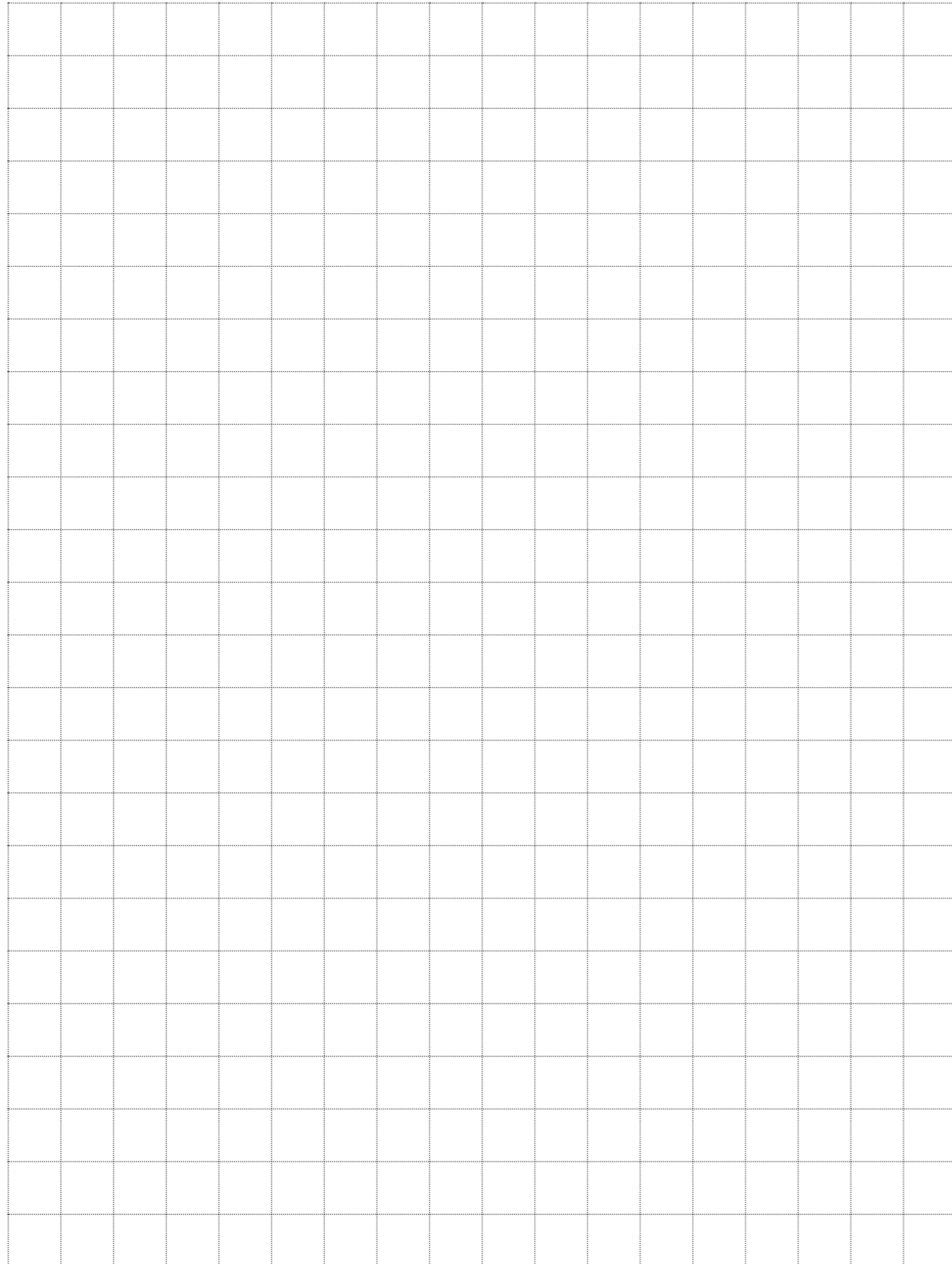






i 1						<div style="border: 1px solid black; padding: 5px; display: inline-block;">16b</div>																																																													
		I [A]_{max}																																																																	
VT01441 VT01442 VT03151U VT03152U VT03153U VT03154U	400 V, 3 ~					<div style="border: 1px solid black; padding: 5px;"> <table border="1" style="width: 100%; font-size: 8px;"> <tr> <td colspan="2">Projektnummer - Project number</td> <td colspan="2">GCDC</td> </tr> <tr> <td colspan="4">Druckgerätebezeichnung - Pressure equipment type</td> </tr> <tr> <td colspan="4">UI Nummer - UI number</td> </tr> <tr> <td colspan="4">Seriennummer - Serial number</td> </tr> <tr> <td colspan="4">Herstellungsjahr - Year of manufacture</td> </tr> <tr> <td colspan="4">Ventilator/Drehzahl/Stromaufn. - Fan/ID/Speed/Current</td> </tr> <tr> <td colspan="4">Volumen - Volume (V)</td> </tr> <tr> <td colspan="2">Max. zulässiger Druck (PS)</td> <td colspan="2"></td> </tr> <tr> <td colspan="2">Max. permissible pressure (PS)</td> <td colspan="2"></td> </tr> <tr> <td colspan="2">Zulässige min./max. Temperatur (TS)</td> <td colspan="2"></td> </tr> <tr> <td colspan="2">Permissible min./max. temperature (TS)</td> <td>-50 °C / +100 °C</td> <td>-50 °C / +40 °C</td> </tr> <tr> <td colspan="4">Prüfdruck (PT)/Prüfmedium</td> </tr> <tr> <td colspan="4">Test pressure (PT)/Test medium</td> </tr> <tr> <td colspan="4">Prüfdatum - Test date</td> </tr> <tr> <td colspan="4">Fluidgruppe/Zustand - Group of fluid/State</td> </tr> </table> </div>	Projektnummer - Project number		GCDC		Druckgerätebezeichnung - Pressure equipment type				UI Nummer - UI number				Seriennummer - Serial number				Herstellungsjahr - Year of manufacture				Ventilator/Drehzahl/Stromaufn. - Fan/ID/Speed/Current				Volumen - Volume (V)				Max. zulässiger Druck (PS)				Max. permissible pressure (PS)				Zulässige min./max. Temperatur (TS)				Permissible min./max. temperature (TS)		-50 °C / +100 °C	-50 °C / +40 °C	Prüfdruck (PT)/Prüfmedium				Test pressure (PT)/Test medium				Prüfdatum - Test date				Fluidgruppe/Zustand - Group of fluid/State				M-AC-D
Projektnummer - Project number							GCDC																																																												
Druckgerätebezeichnung - Pressure equipment type																																																																			
UI Nummer - UI number																																																																			
Seriennummer - Serial number																																																																			
Herstellungsjahr - Year of manufacture																																																																			
Ventilator/Drehzahl/Stromaufn. - Fan/ID/Speed/Current																																																																			
Volumen - Volume (V)																																																																			
Max. zulässiger Druck (PS)																																																																			
Max. permissible pressure (PS)																																																																			
Zulässige min./max. Temperatur (TS)																																																																			
Permissible min./max. temperature (TS)		-50 °C / +100 °C	-50 °C / +40 °C																																																																
Prüfdruck (PT)/Prüfmedium																																																																			
Test pressure (PT)/Test medium																																																																			
Prüfdatum - Test date																																																																			
Fluidgruppe/Zustand - Group of fluid/State																																																																			
VT01384U VT01441 VT01442 VT03151U VT03152U VT03153U VT03154U	400 V, 3 ~					M-AC-S																																																													
VT03061U.1 VT03062U.2 VT03145U.1							230 V, 1 ~					M-EC1 ~																																																							
VT01445U.1 VT03059U.1 VT03060U.1 VT03143U.1 VT03144U.1	400 V, 3 ~					M-EC3 ~																																																													





GÜNTNER APP

DOWNLOAD NOW



Available on the iPhone
App Store



ANDROID APP ON
Google play



guentner.eu/know-how/guentner-app



Scan code for manual.

Güntner GmbH & Co. KG
Hans-Güntner-Str. 2 – 6
82256 FÜRSTENFELDBRUCK
GERMANY

www.guentner.eu

Güntner Asia Pacific Pte. Ltd.
8 Jurong Town Hall Road
#23-06 The JTC Summit
SINGAPORE 609434

www.guentner.asia

Members of Güntner Group

