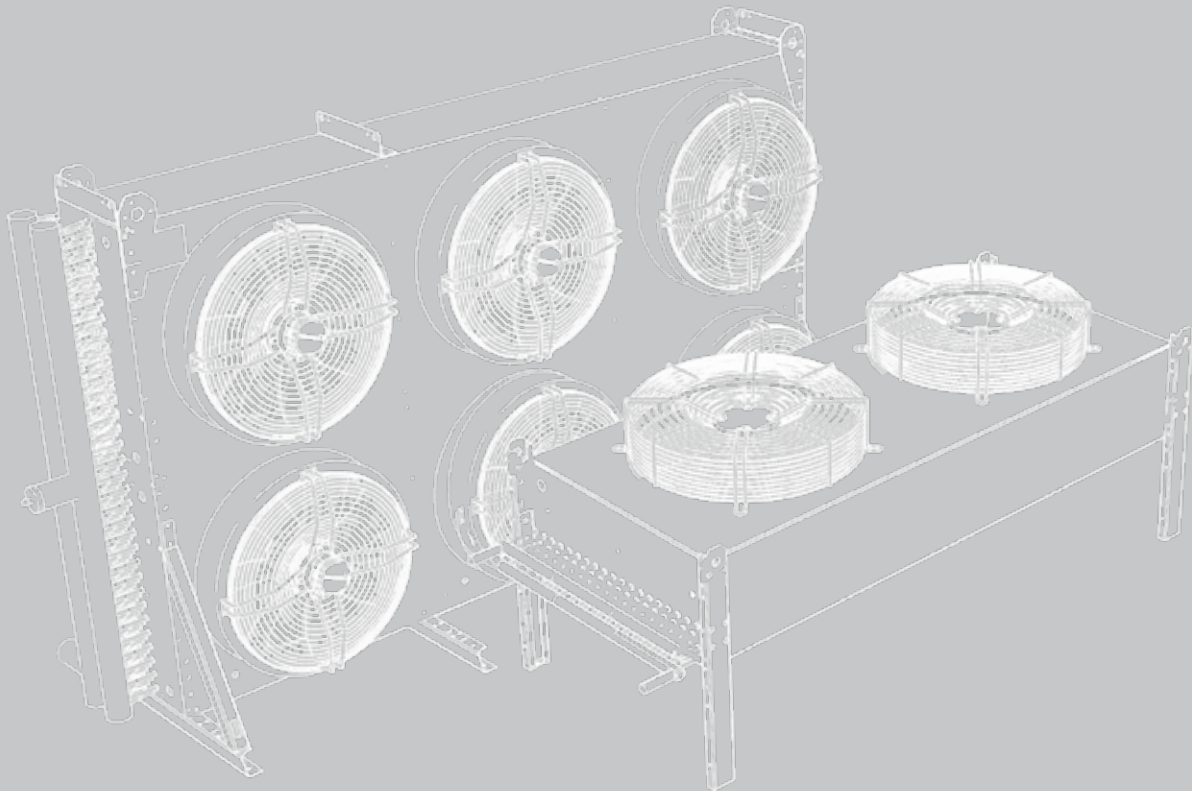


FLAT / Compact

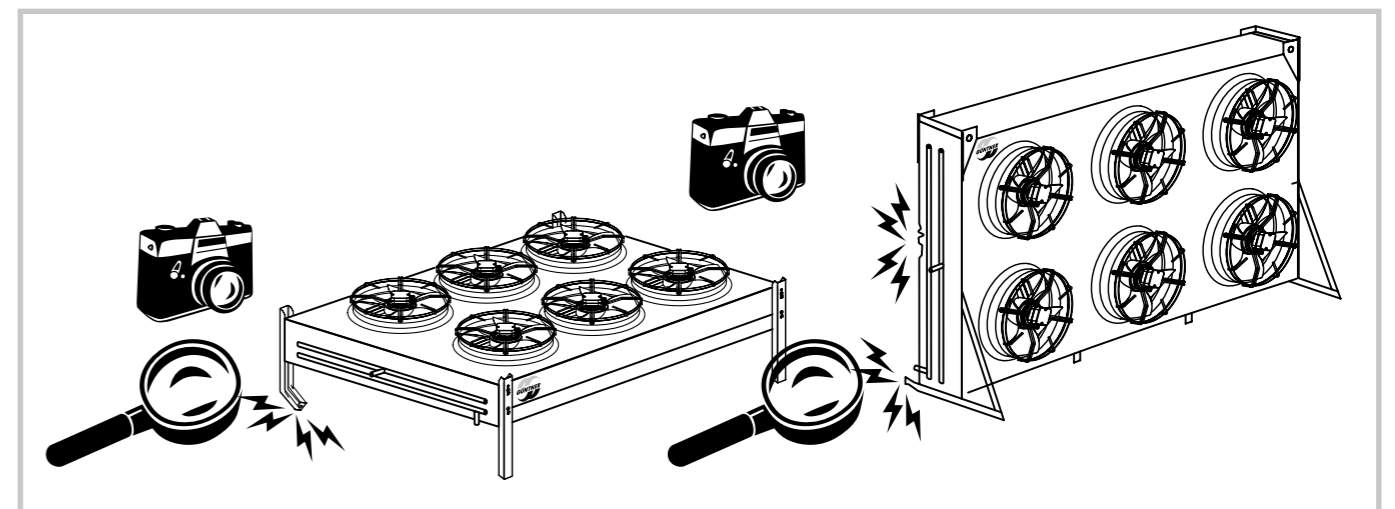
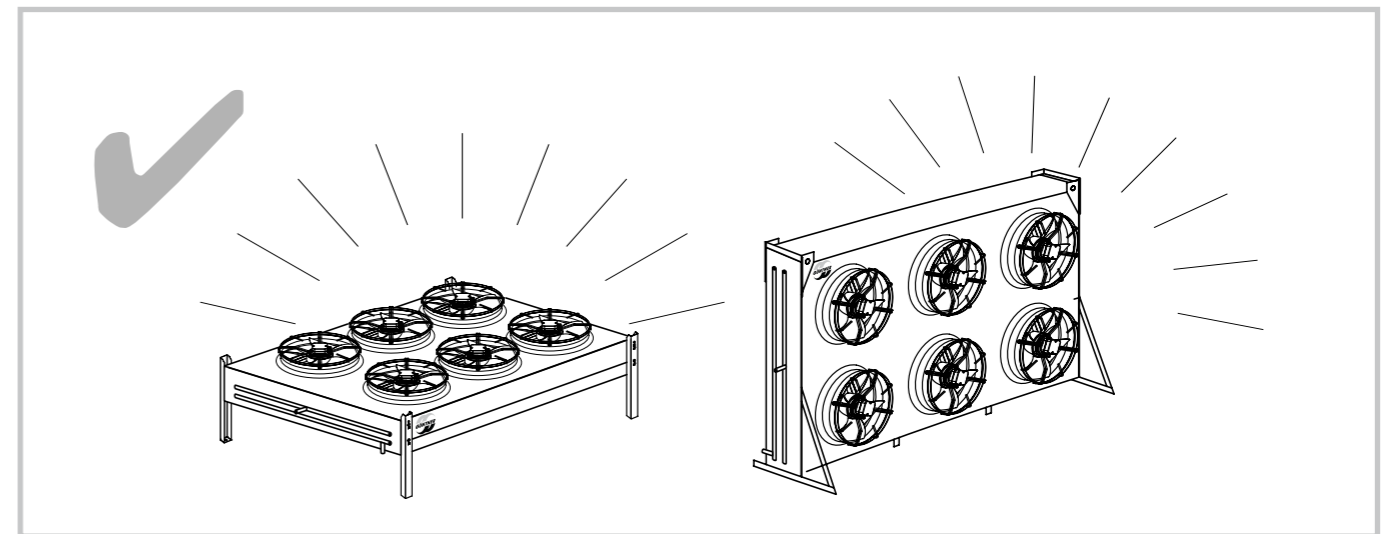
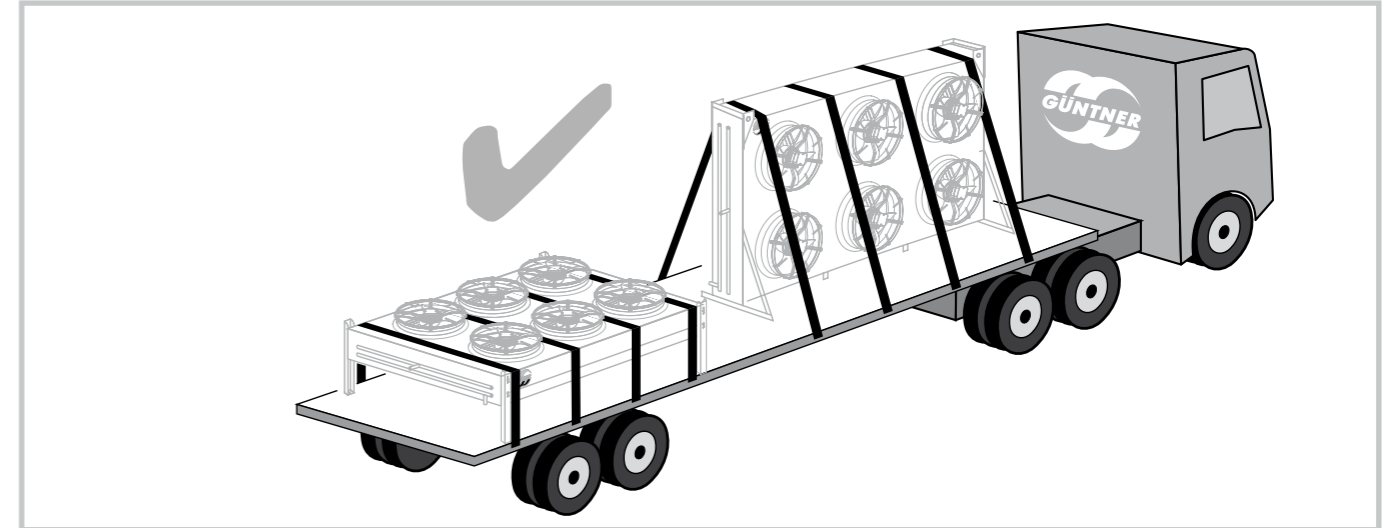
VERTICAL / Compact

Condenser, Fluidcooler, Gascooler





Scan code for manual.



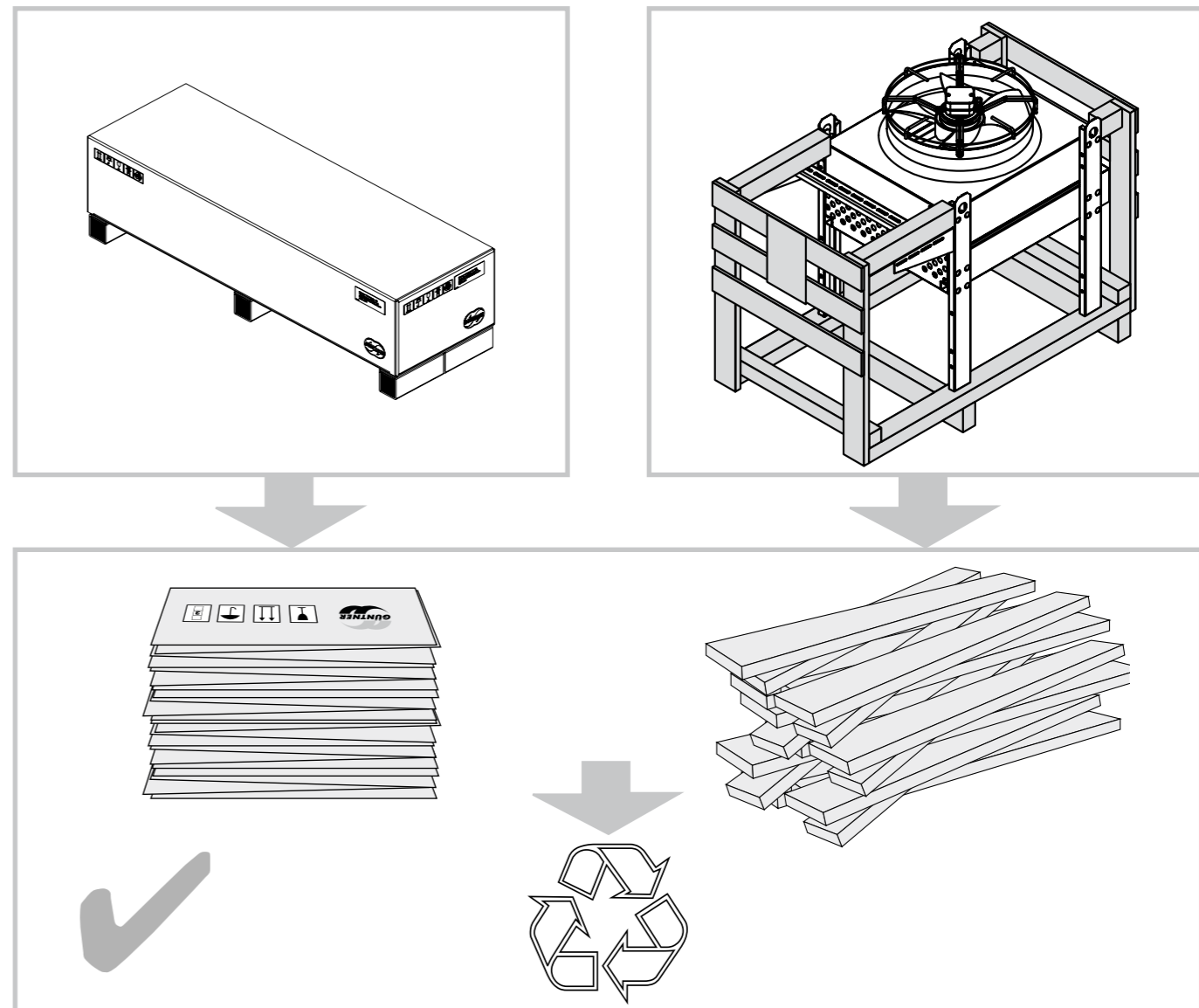
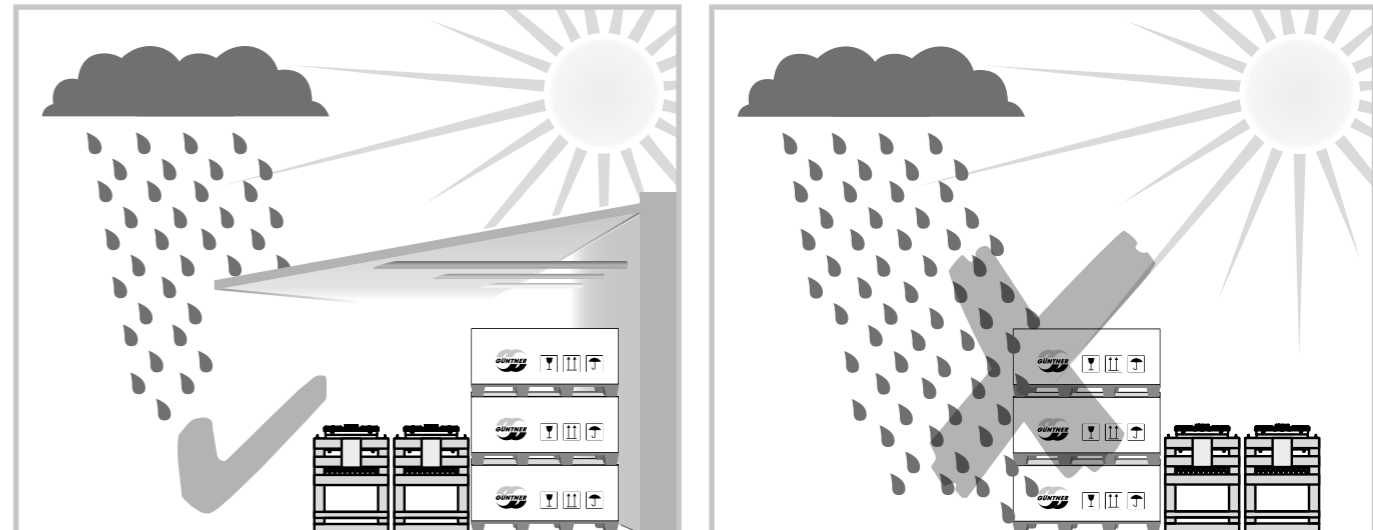
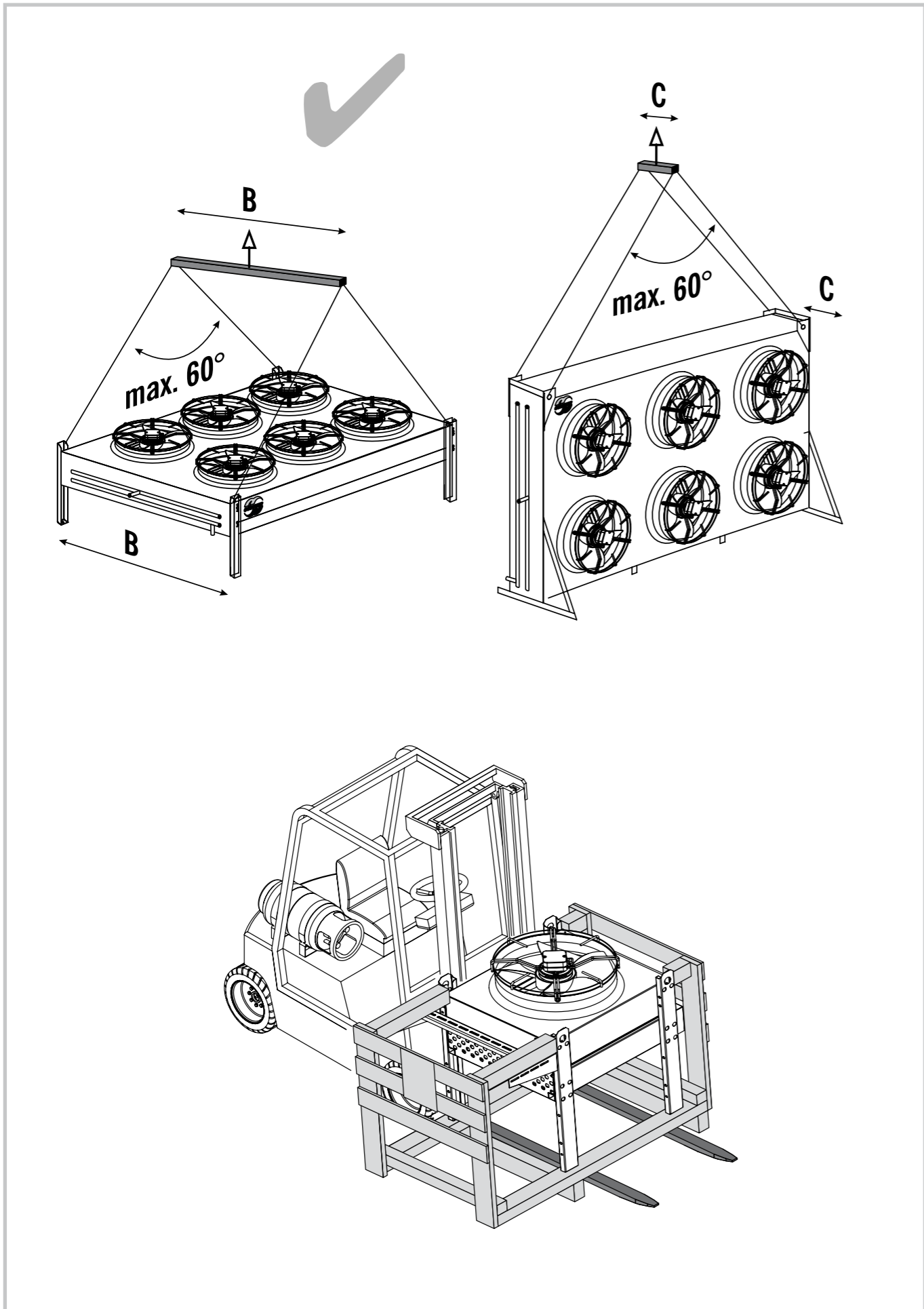
+49 8141 242 - 4815

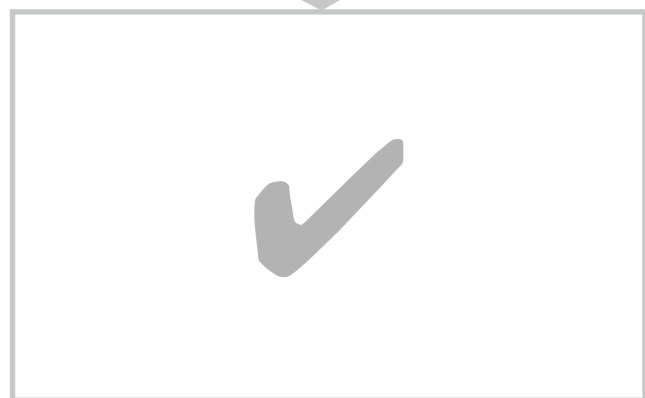
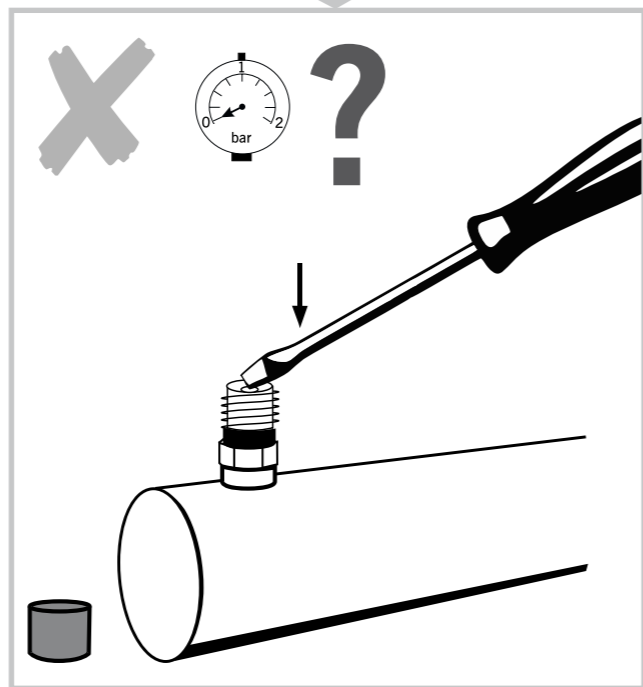
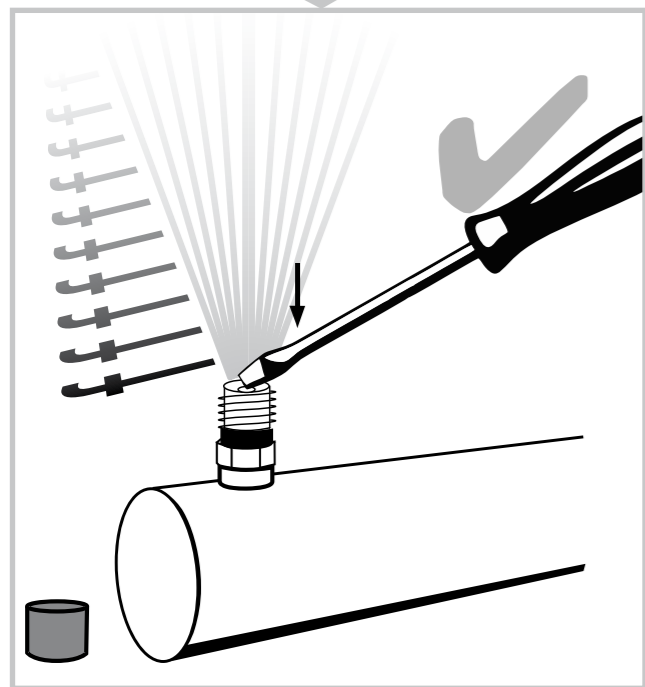
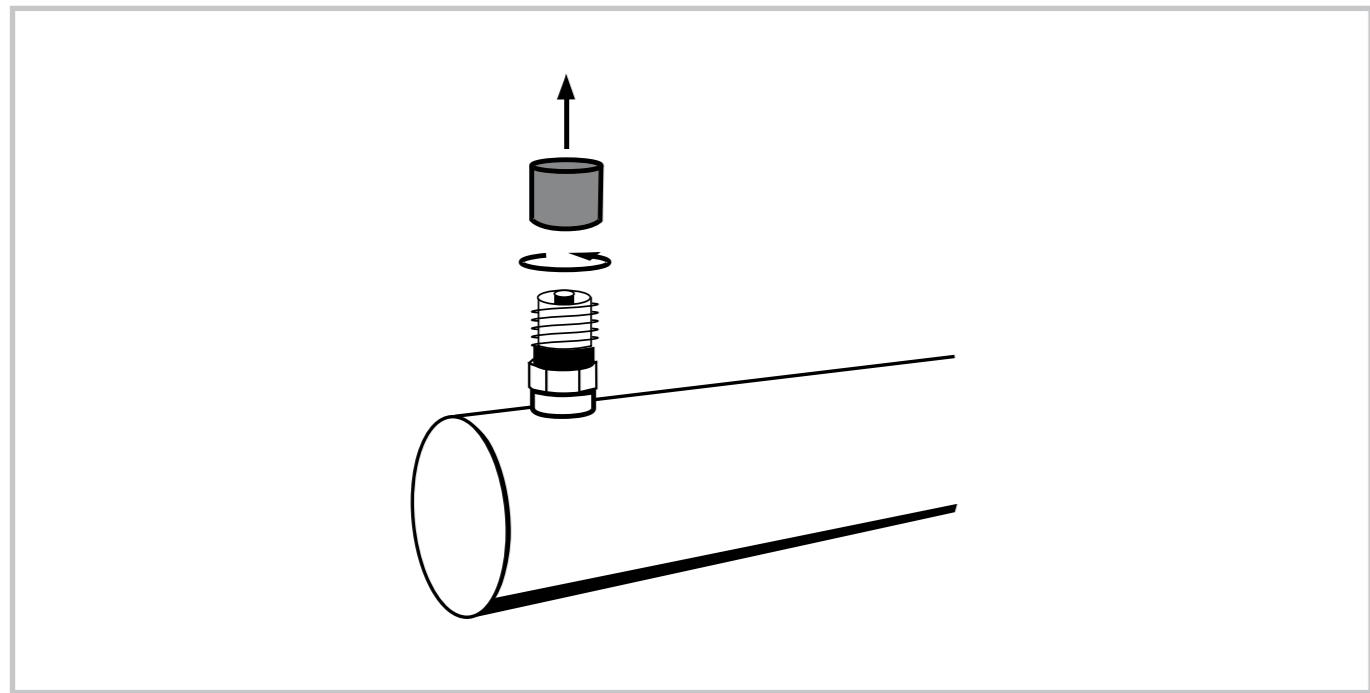


+49 8141 242 - 422



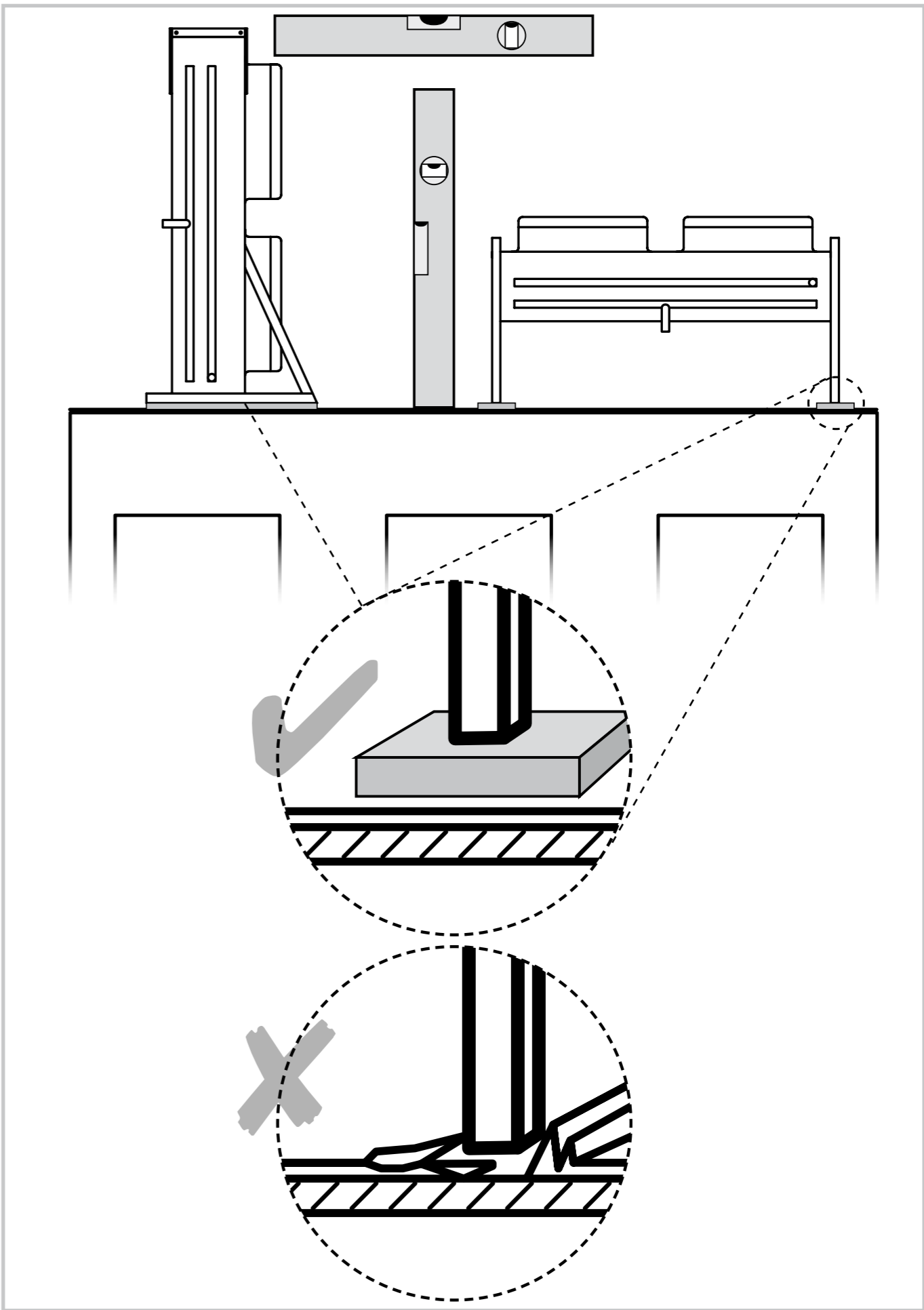
service@guentner.com

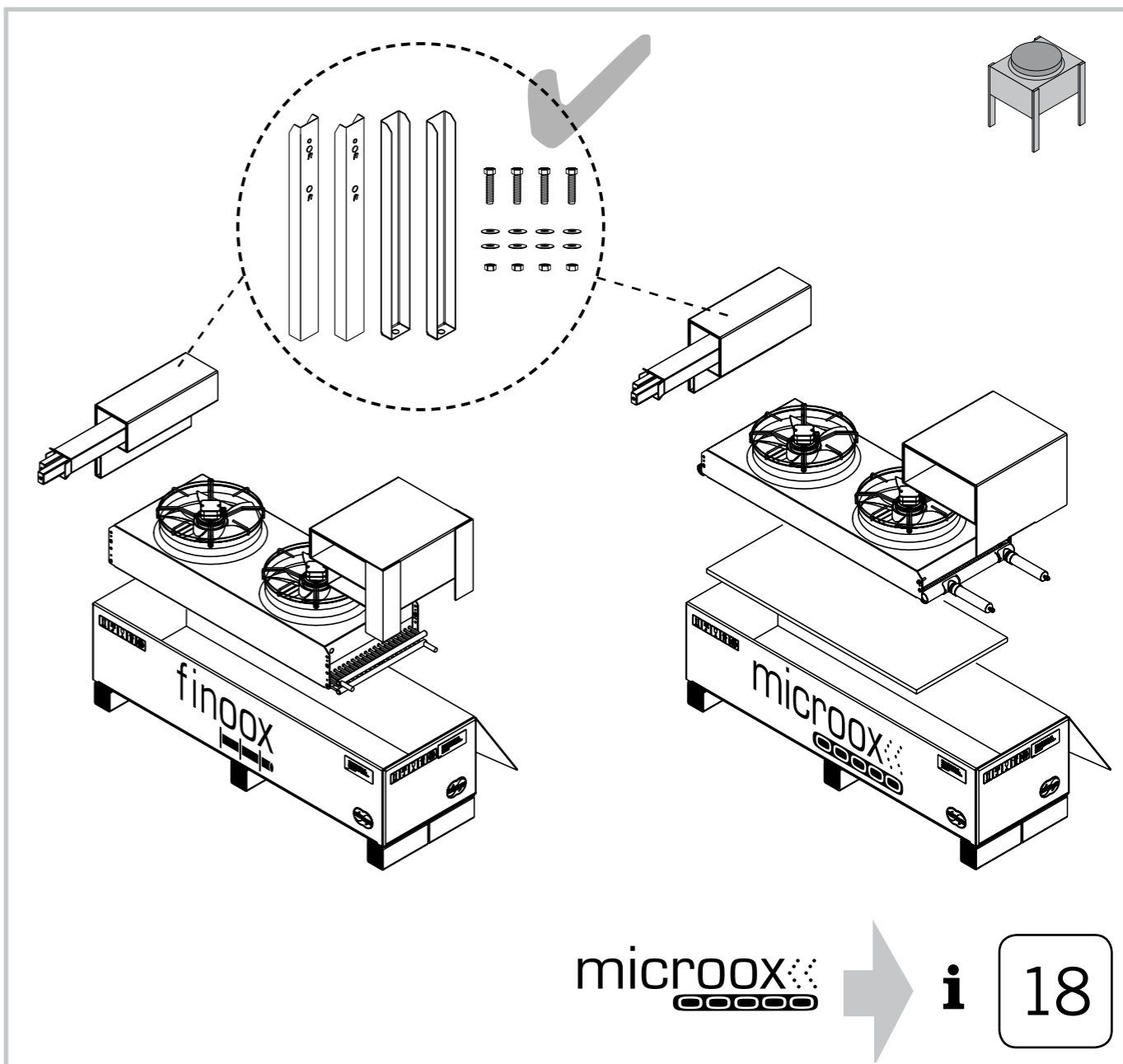
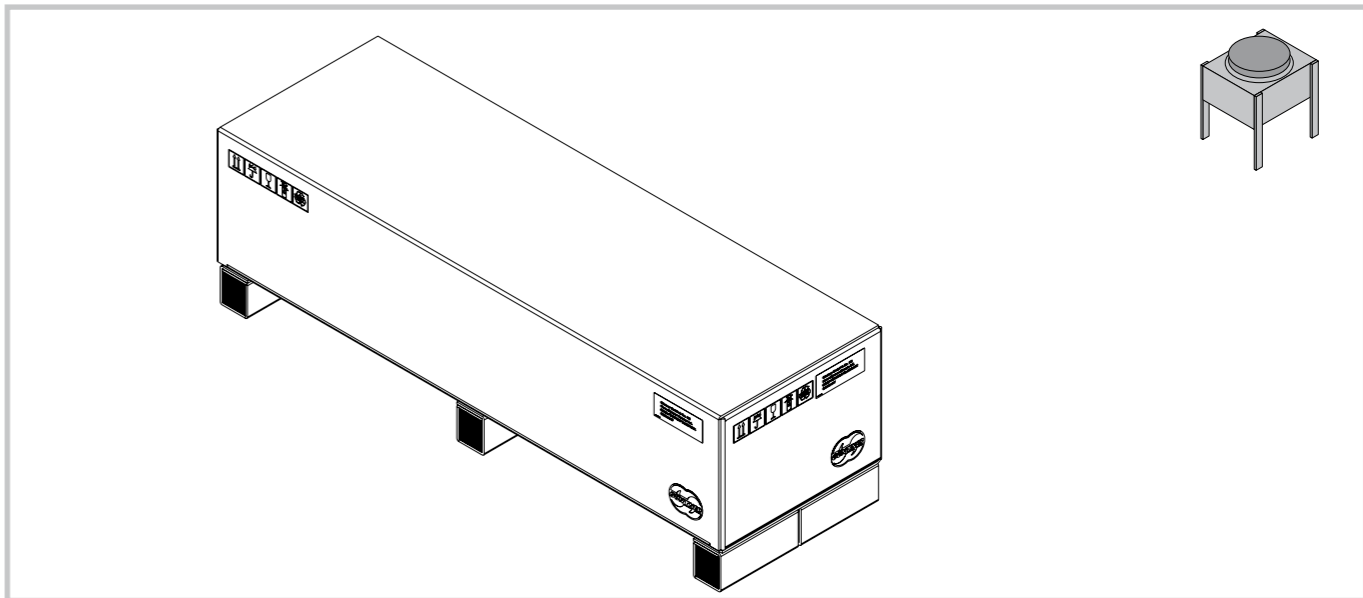
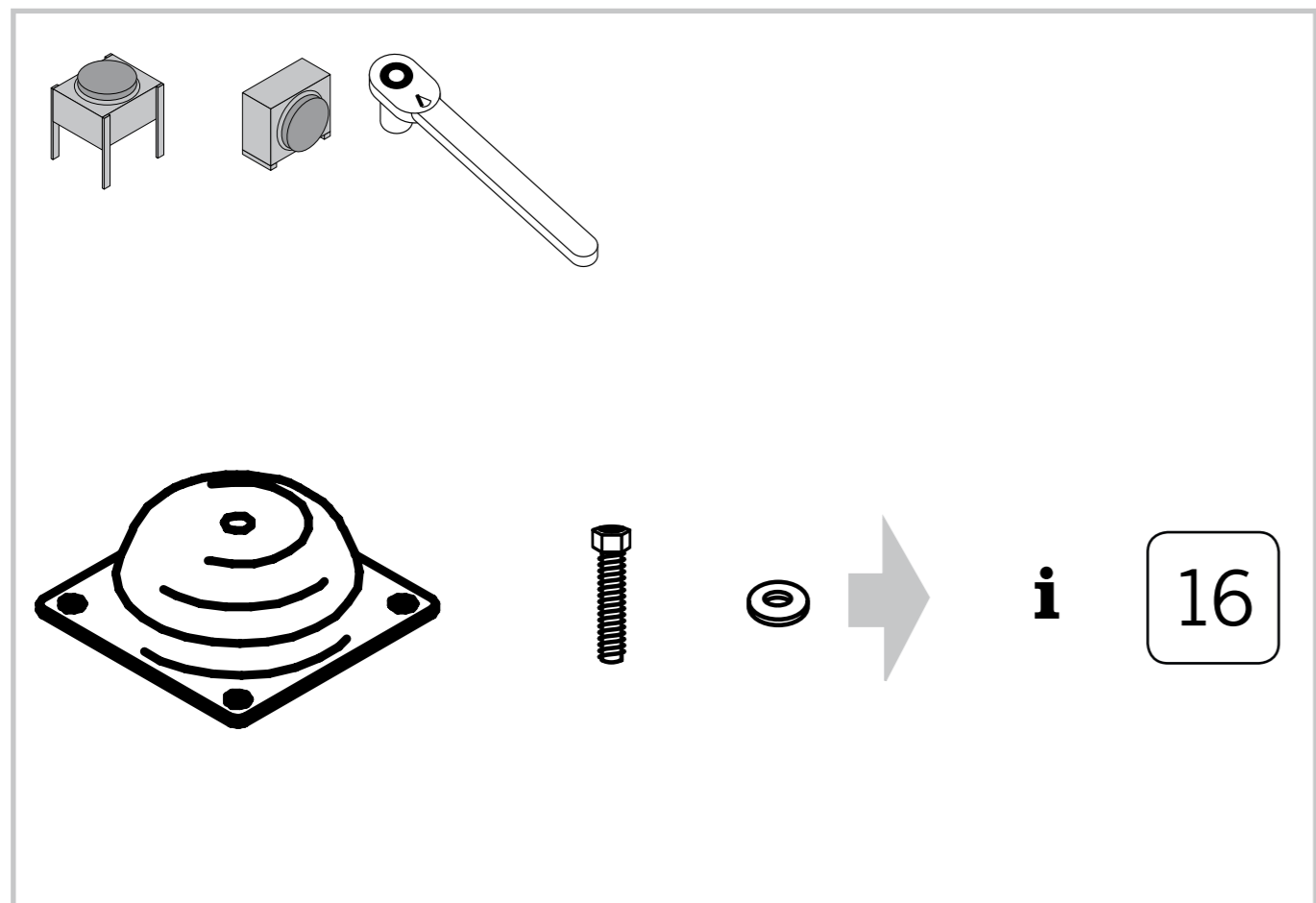
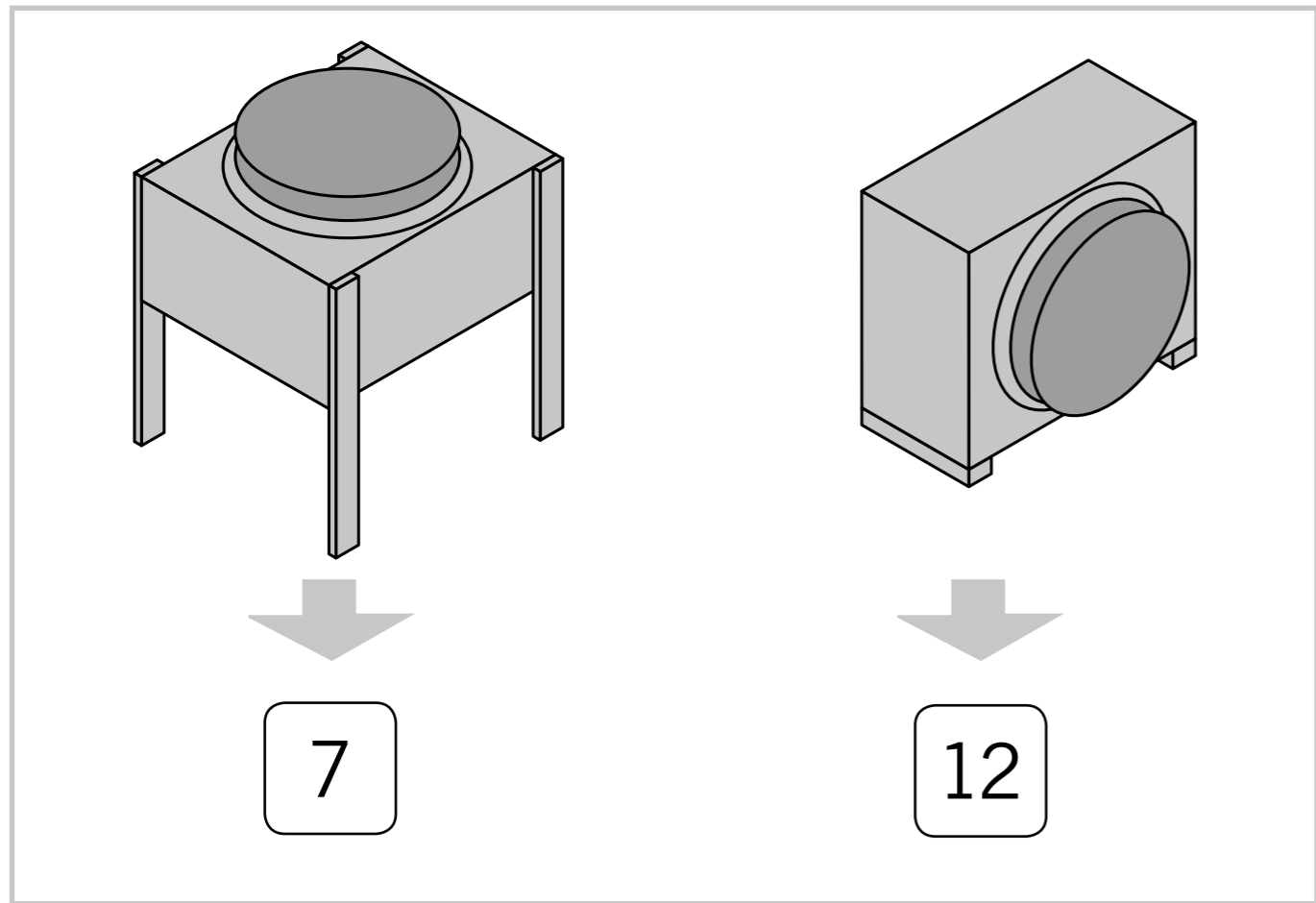


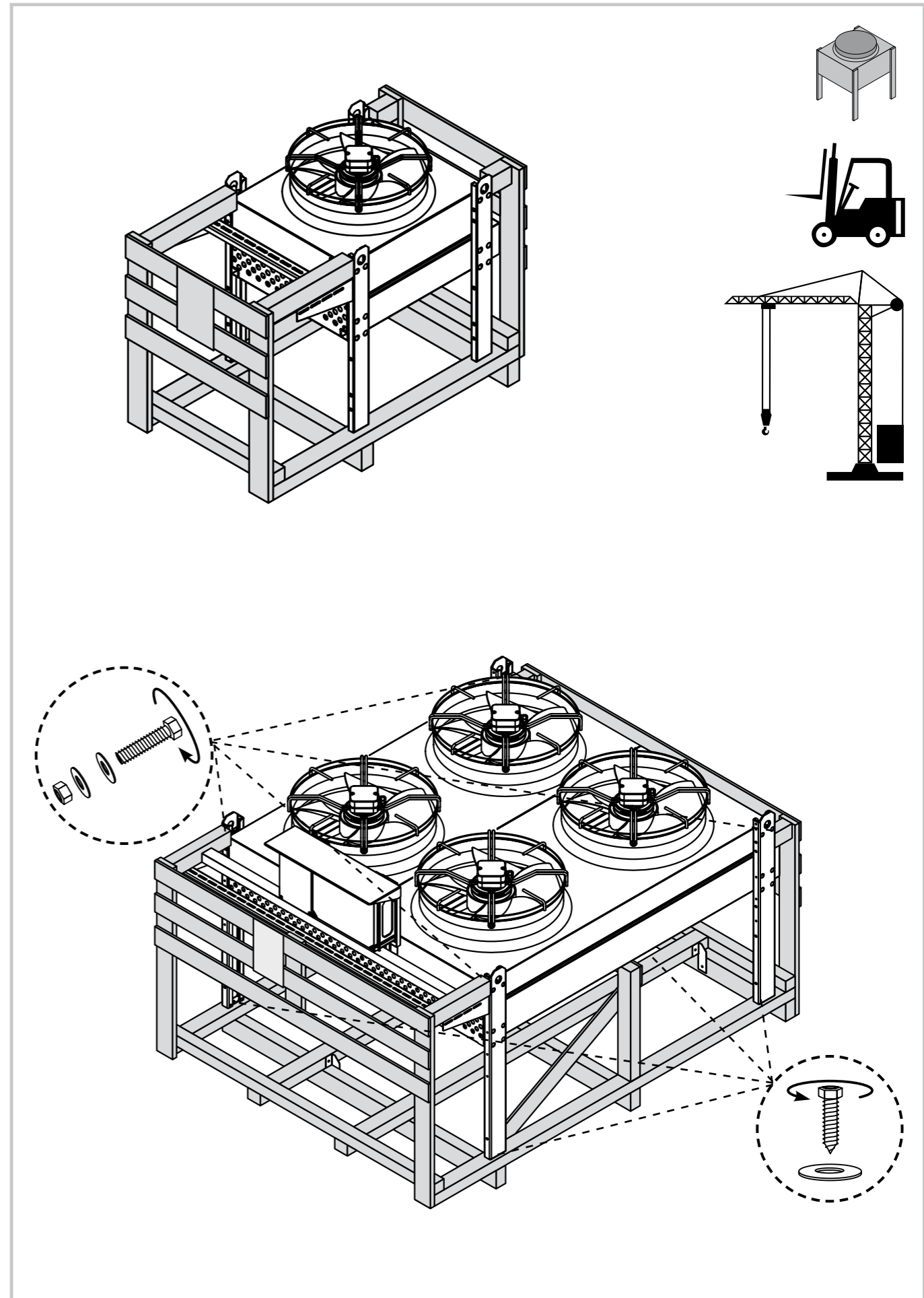
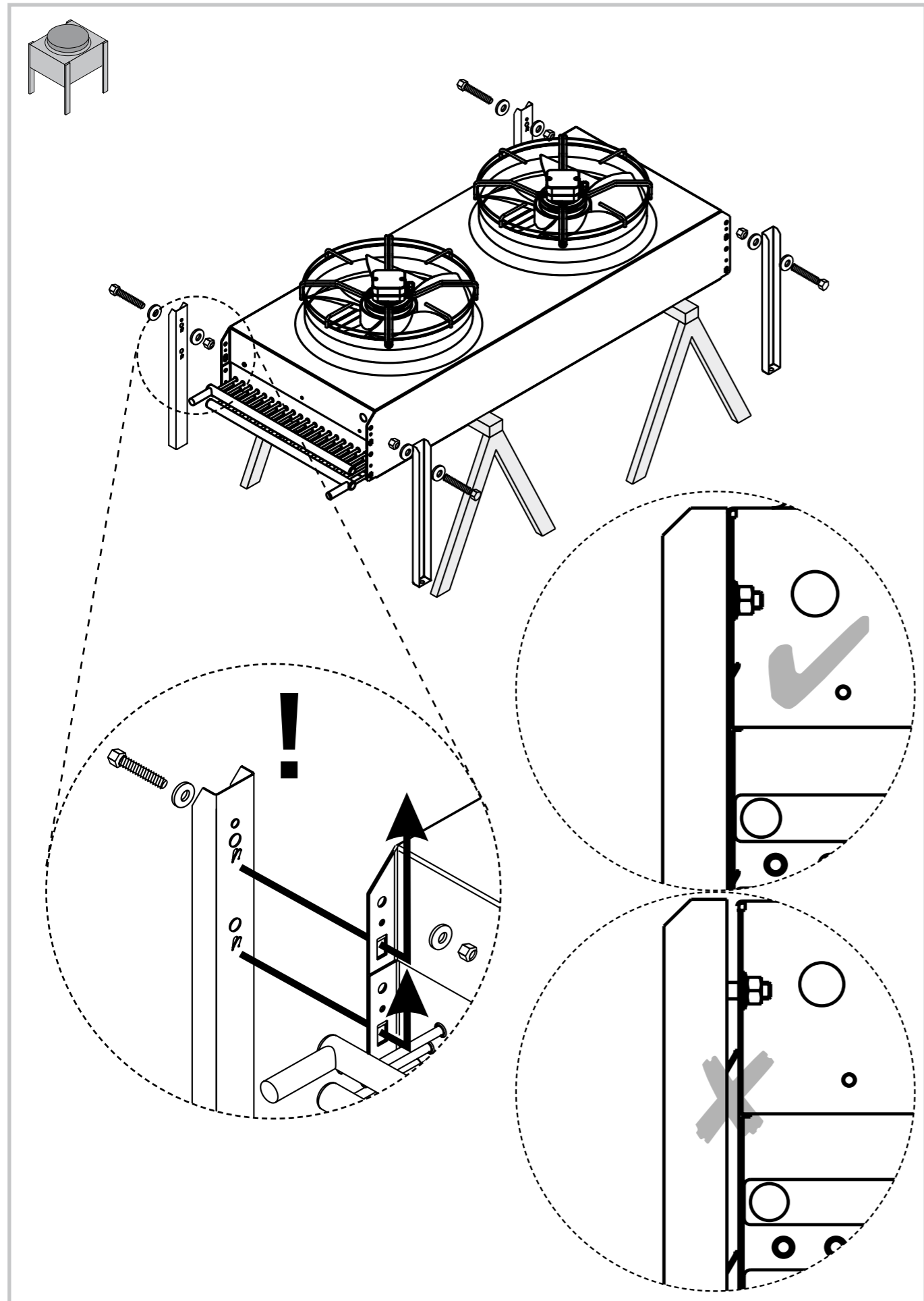


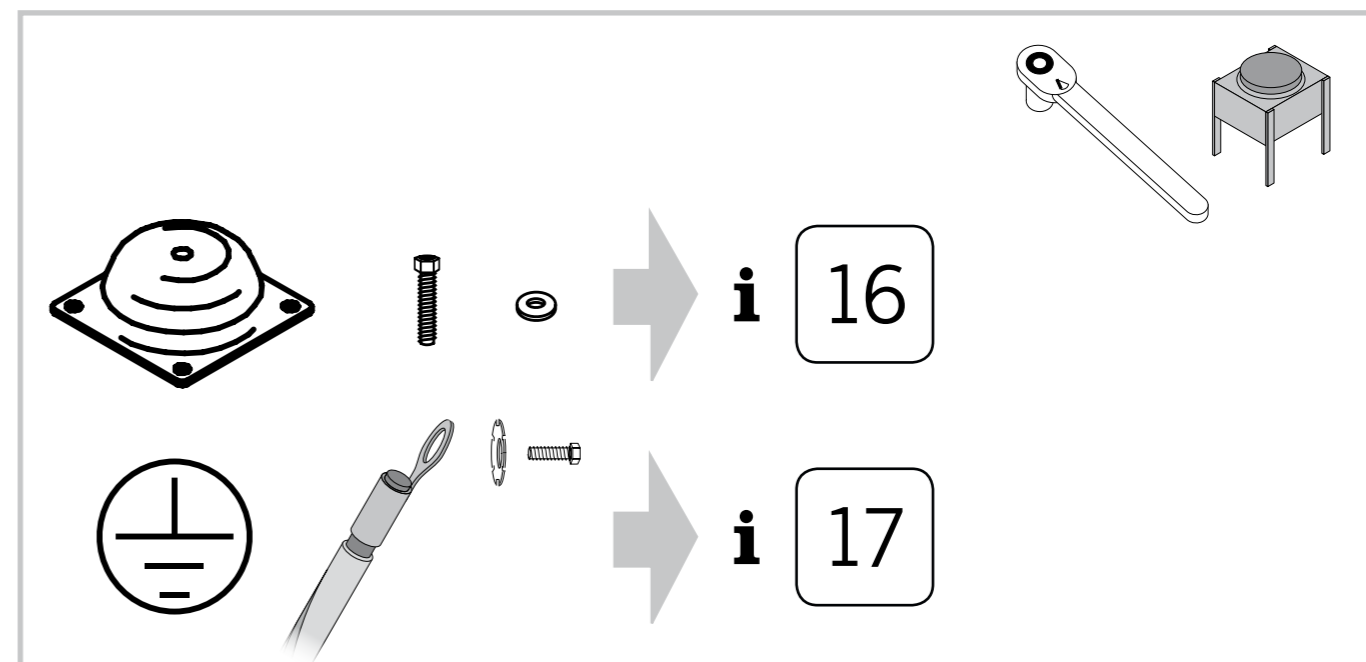
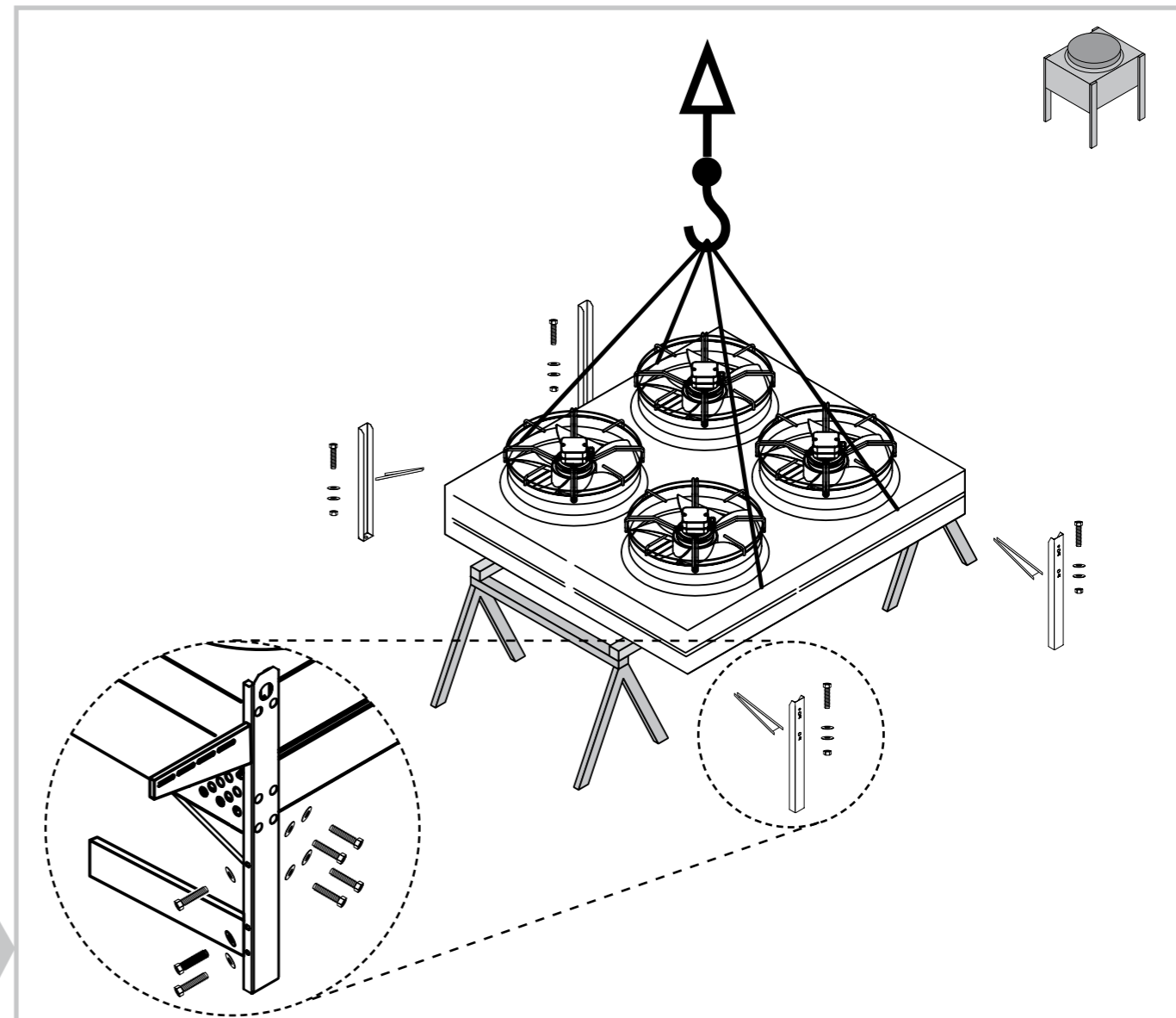
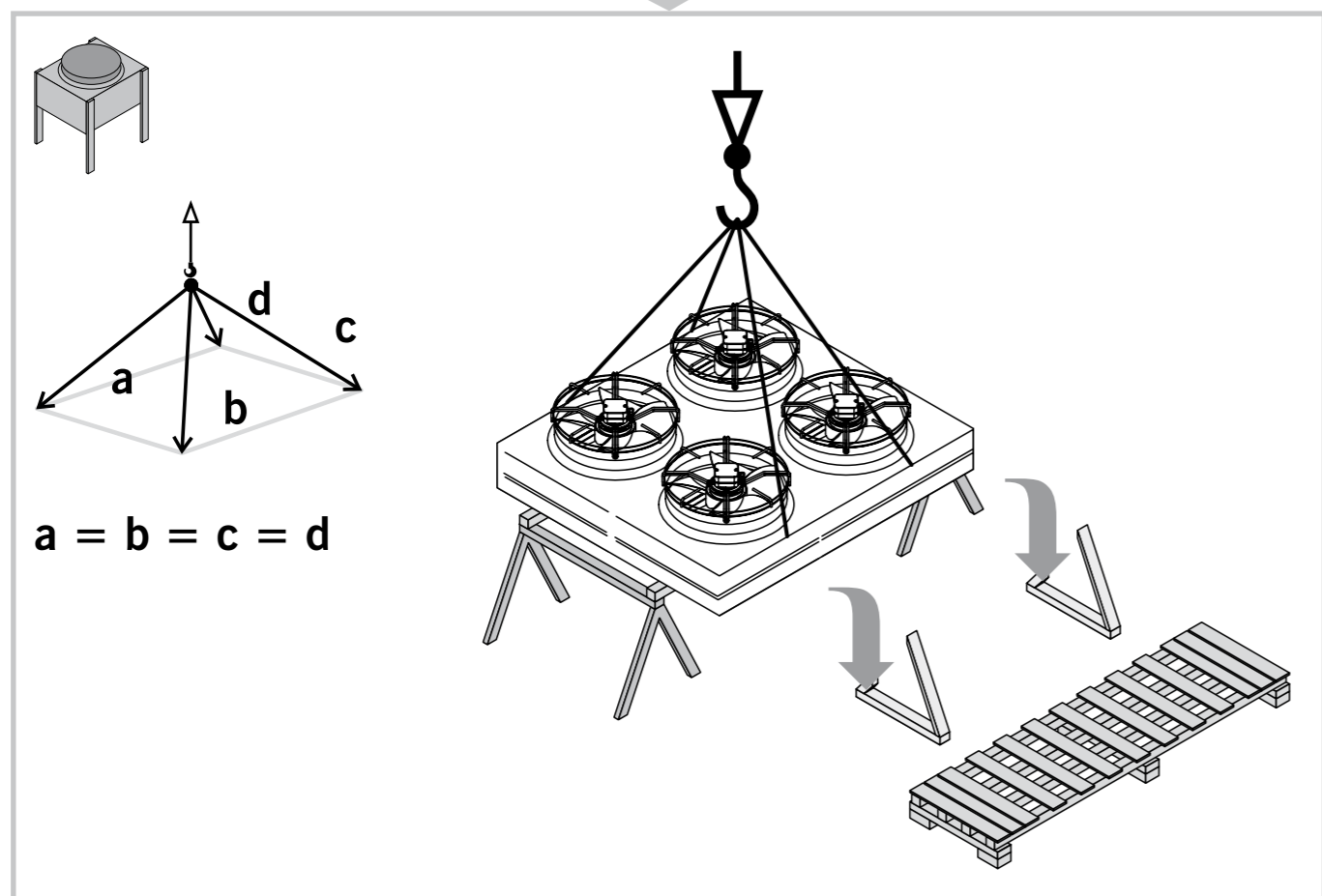
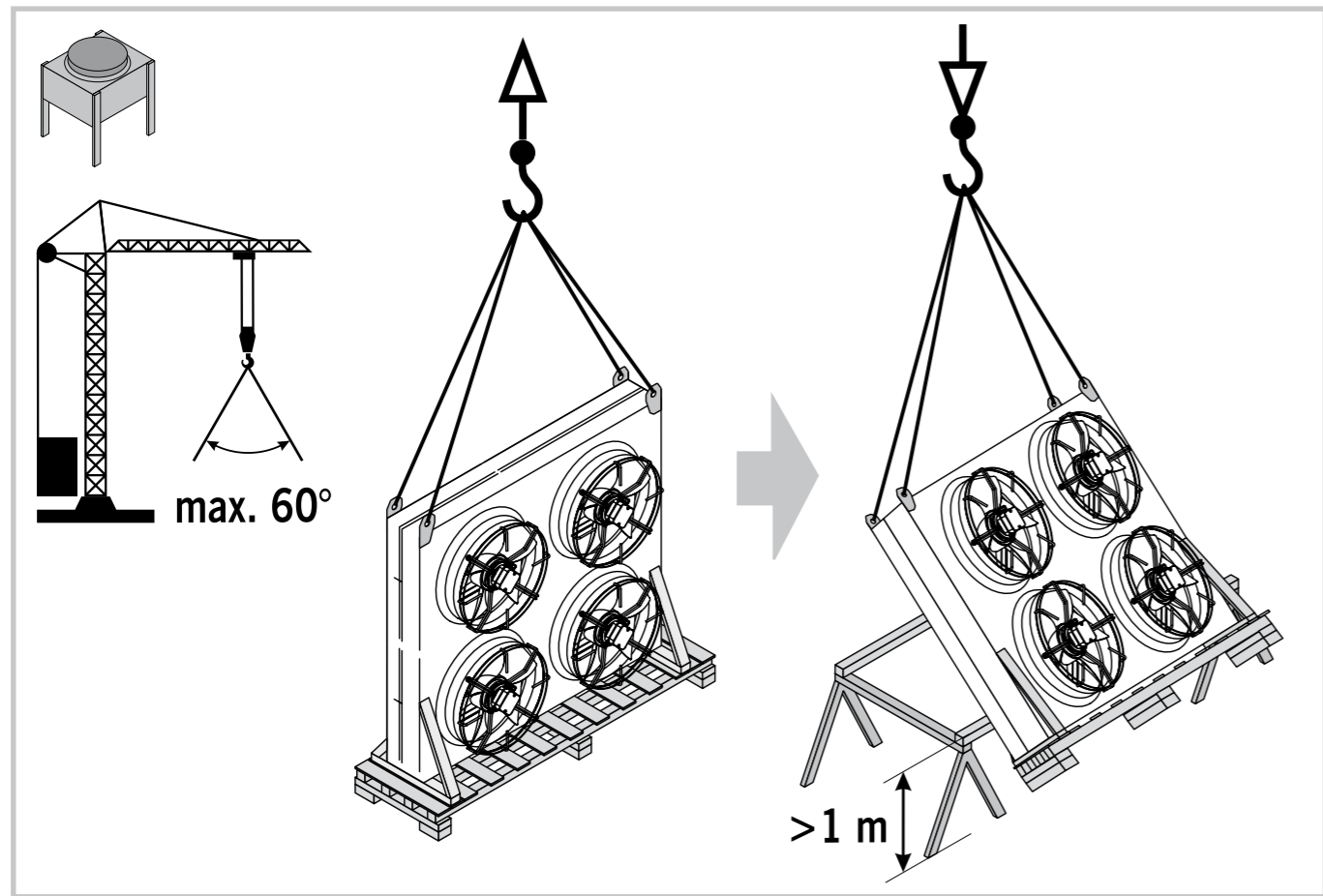
+49 8141 242 - 4815    +49 8141 242 - 422

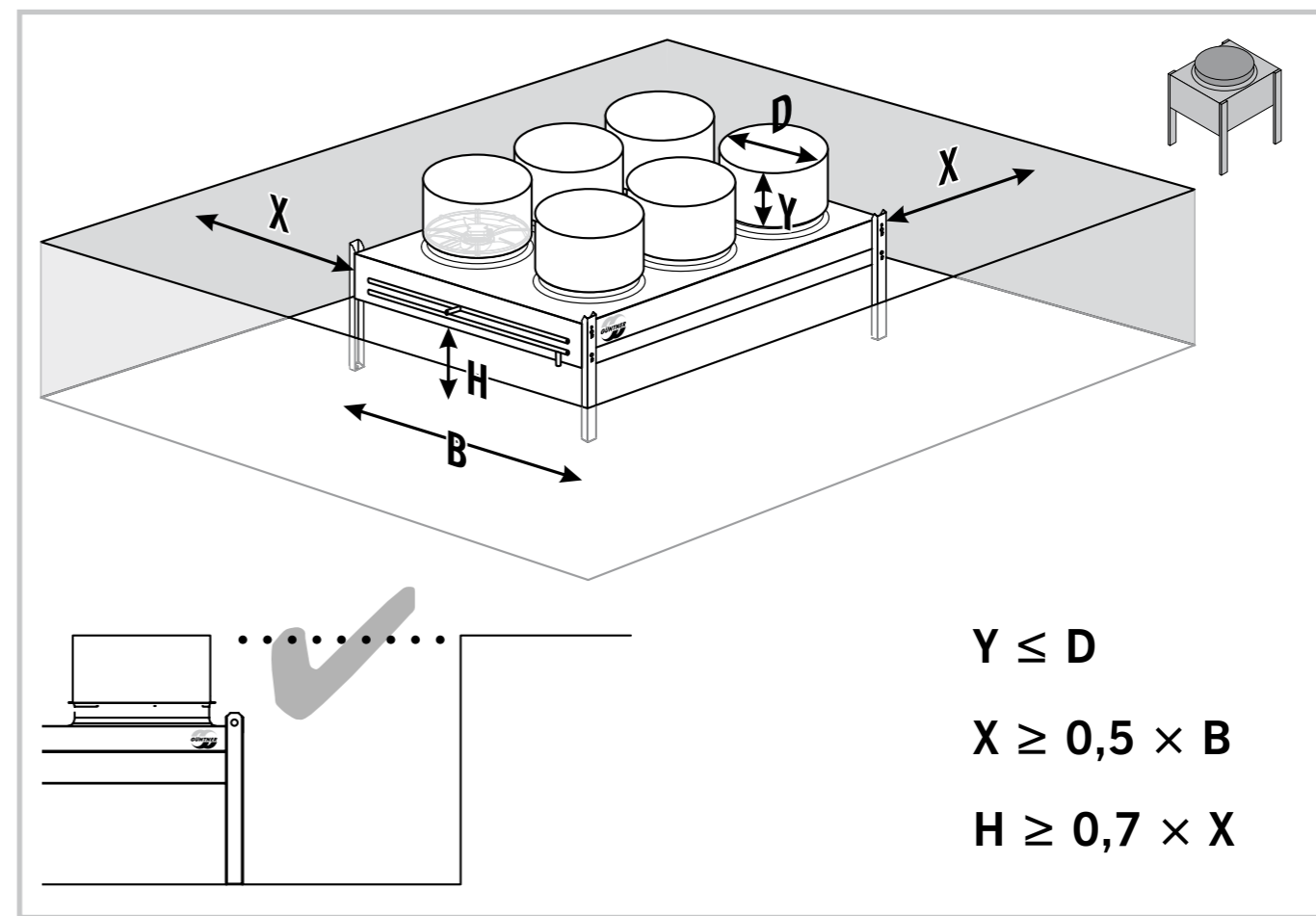
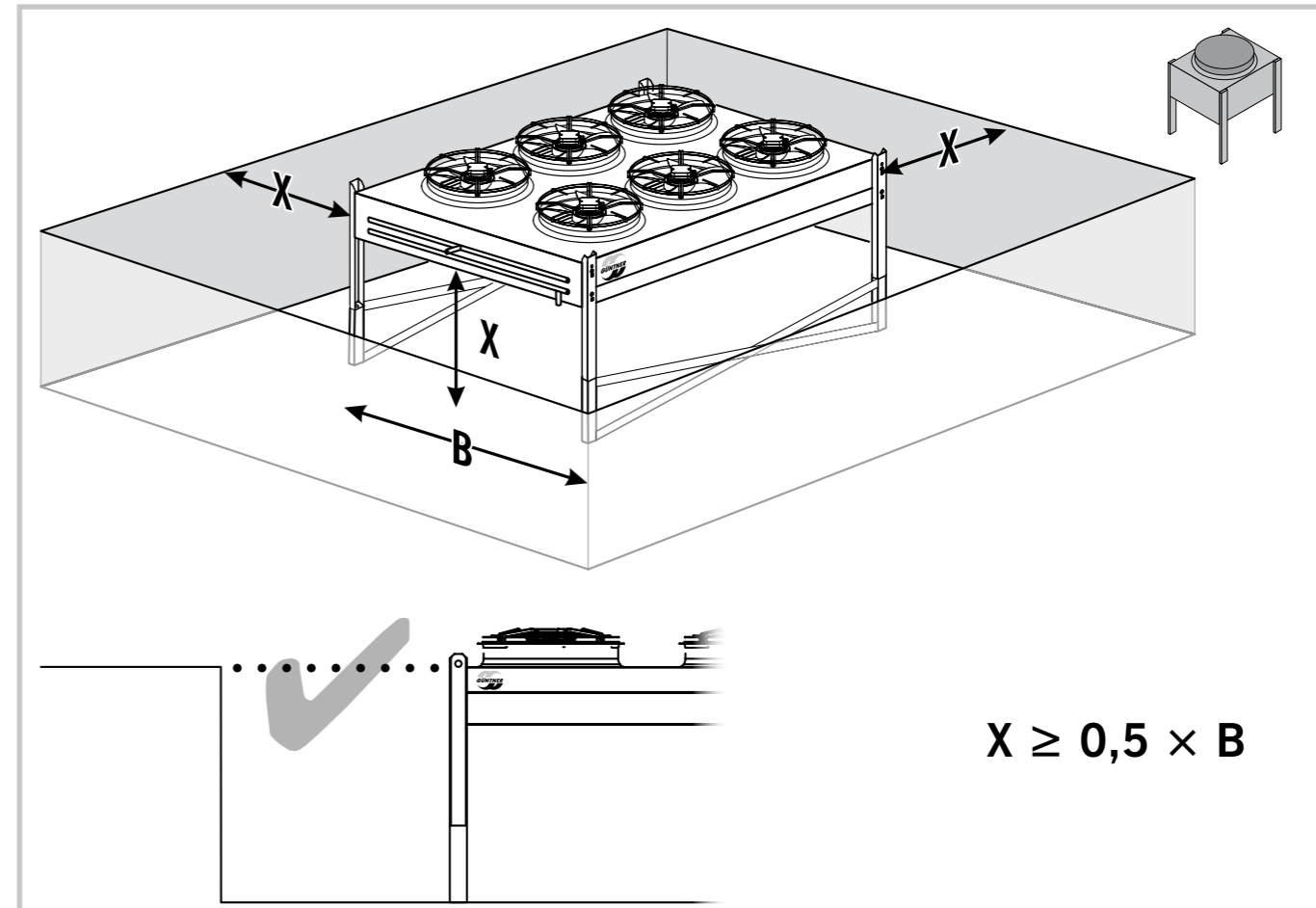
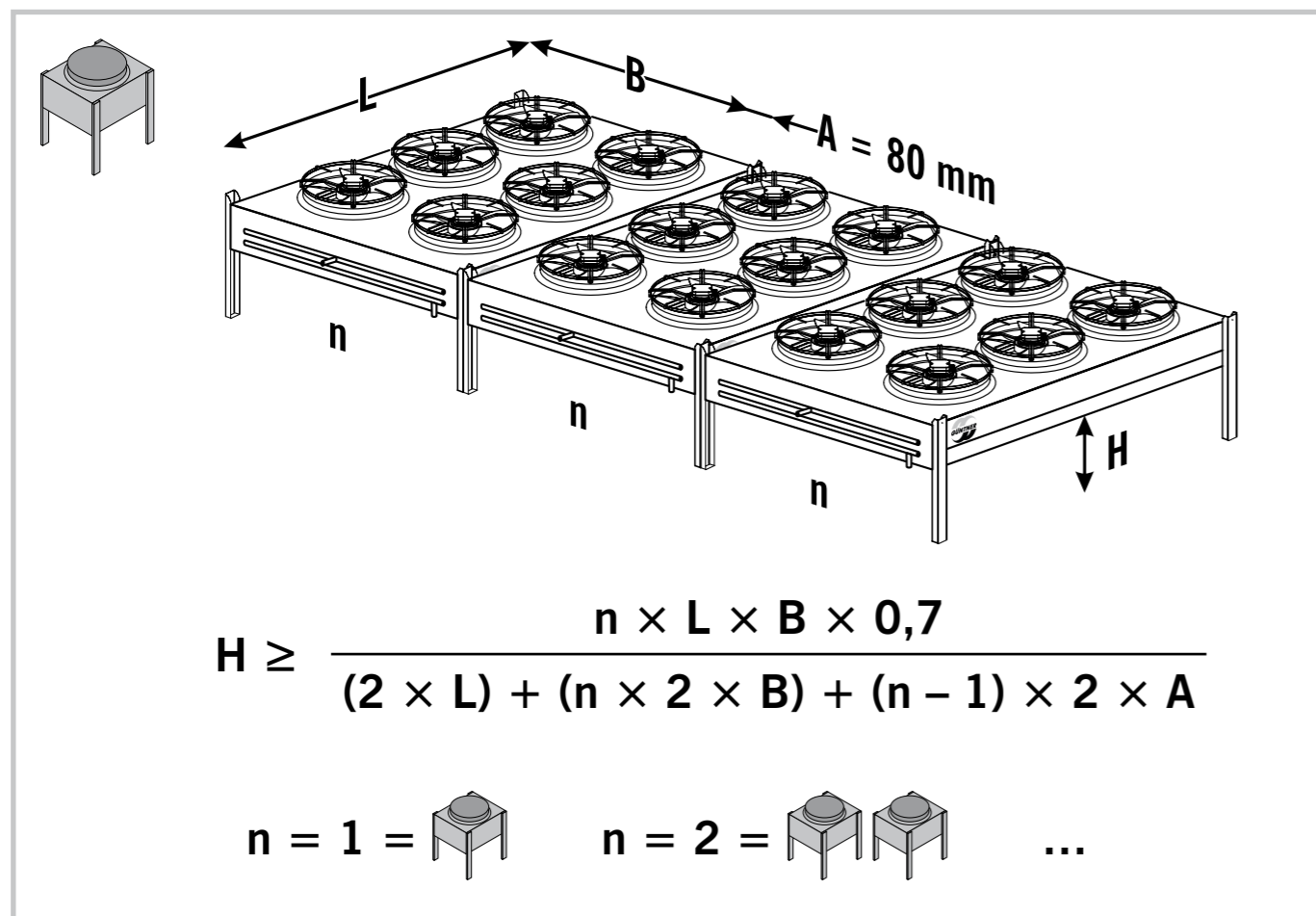
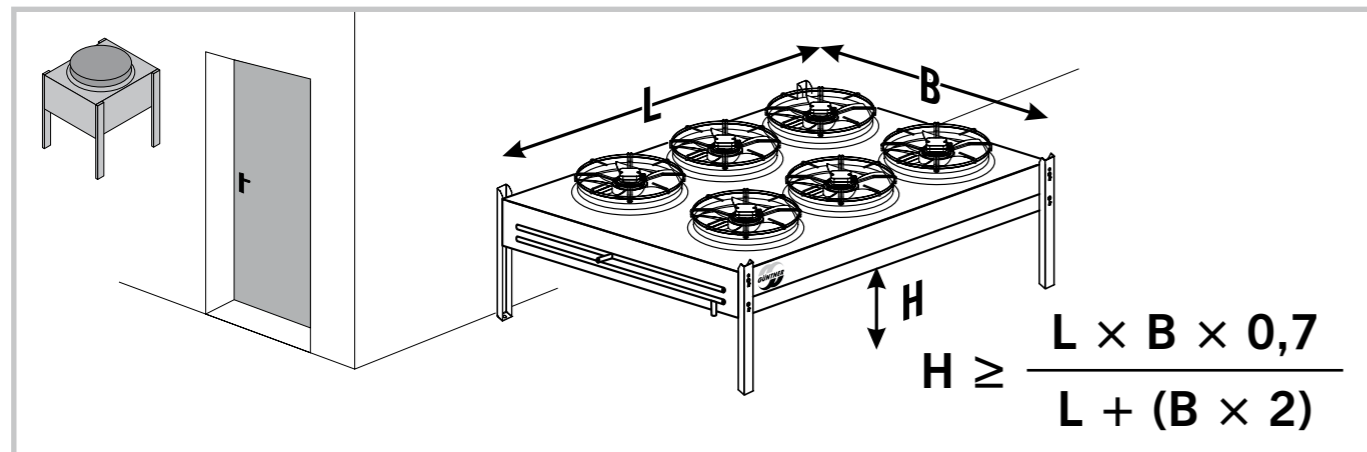
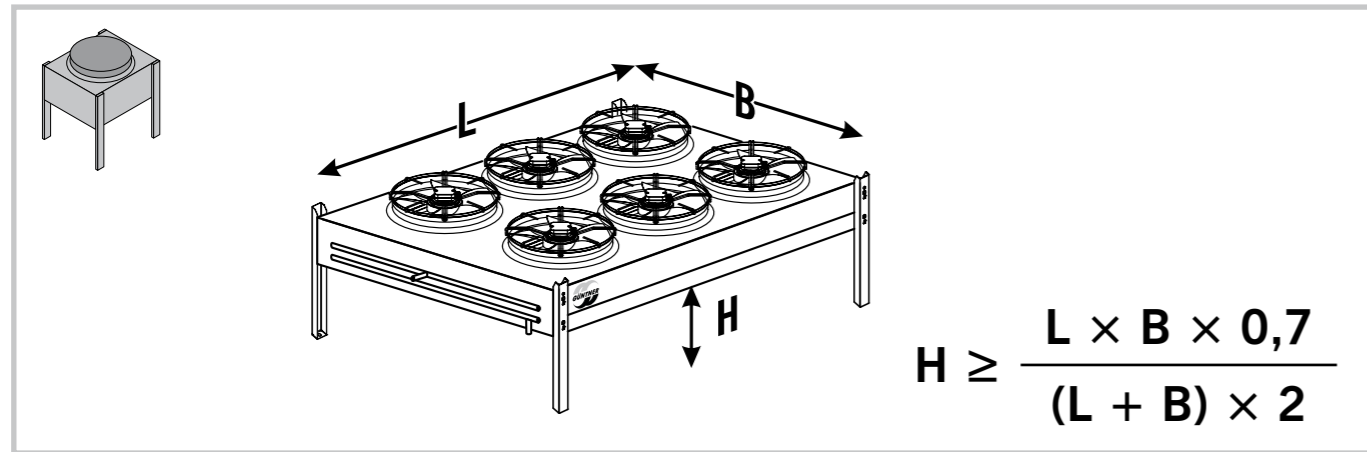
service@guentner.com



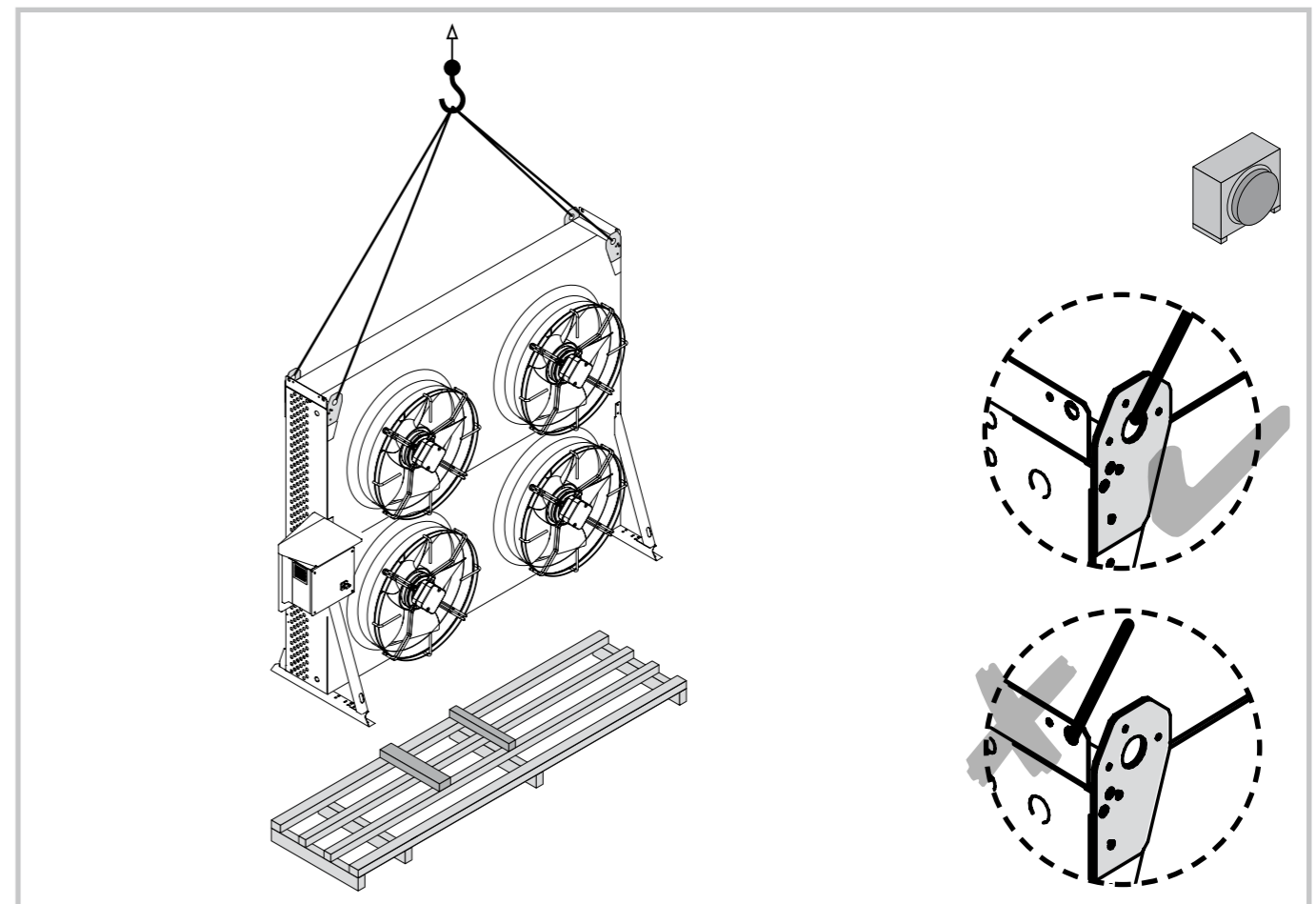
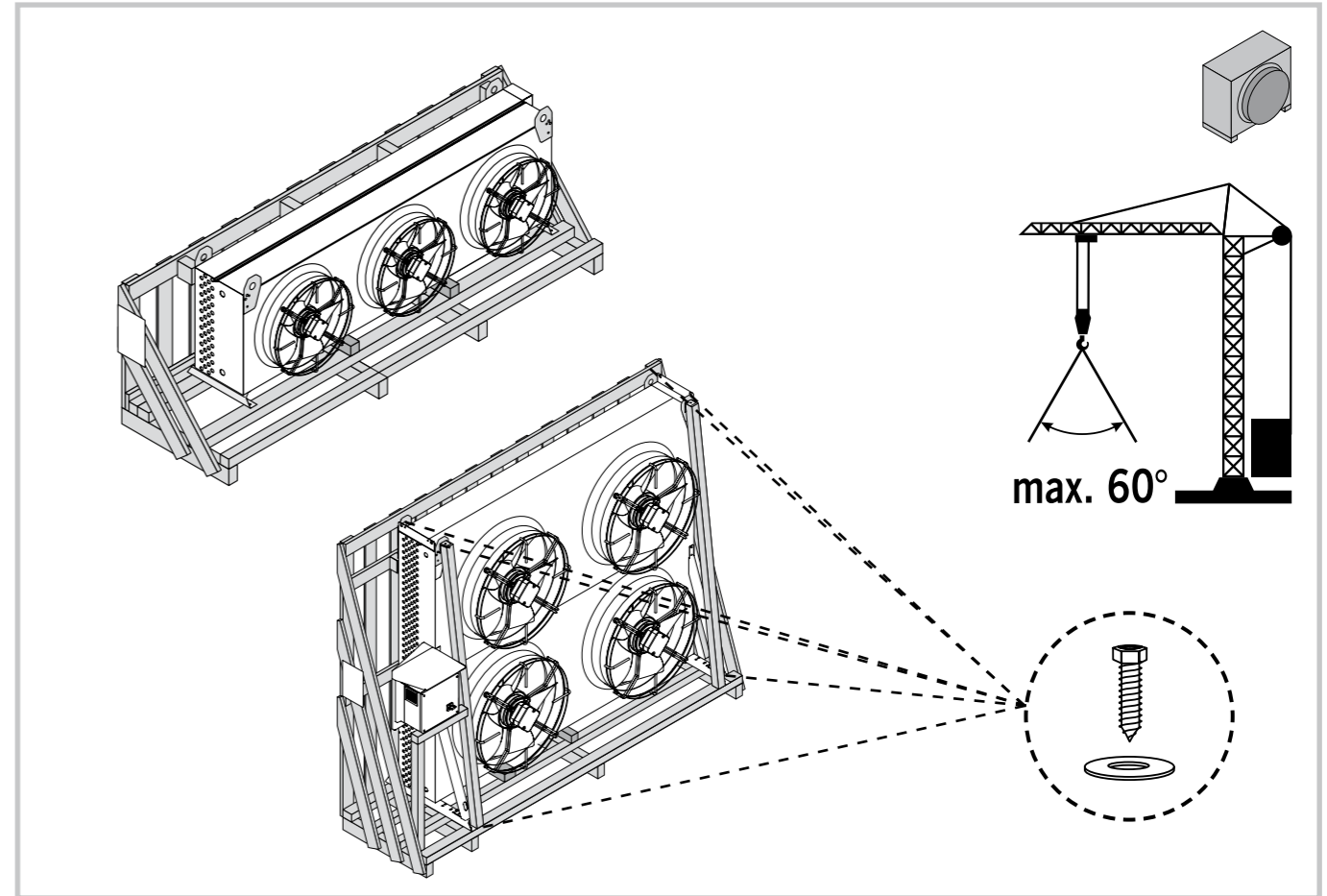
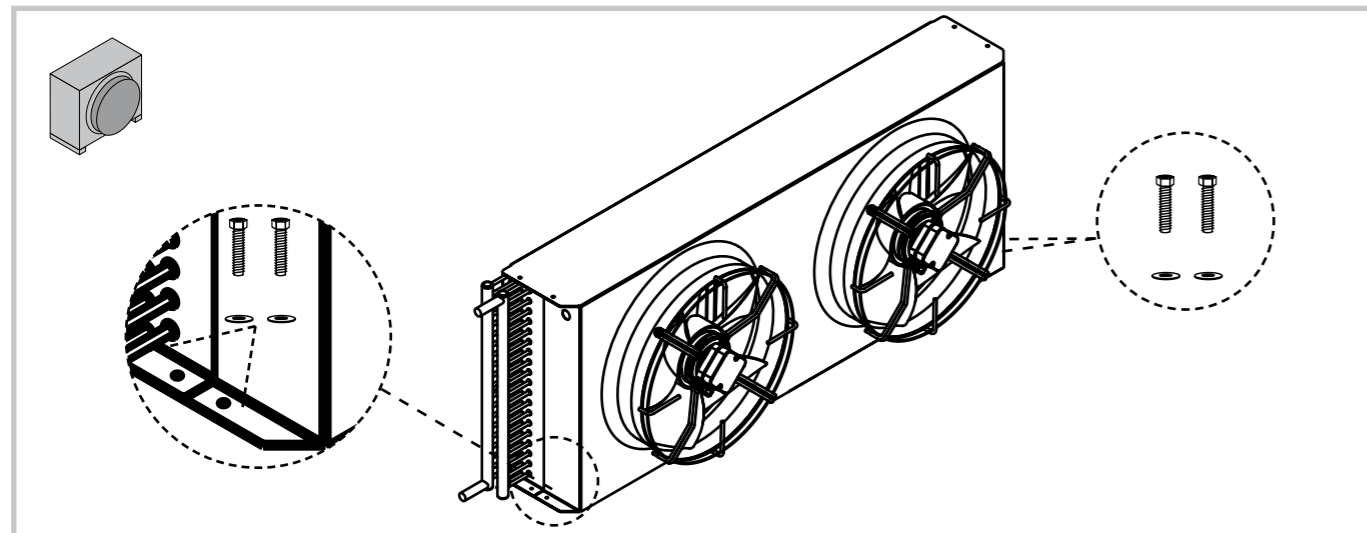
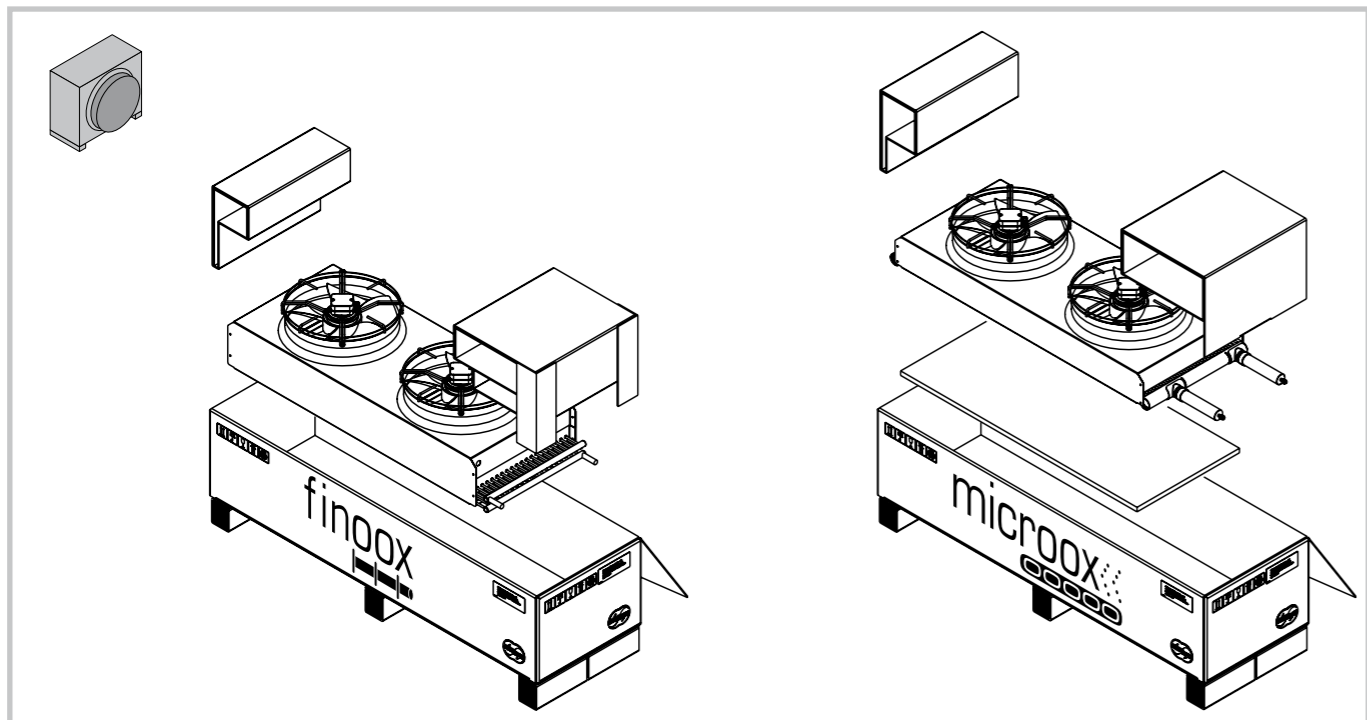
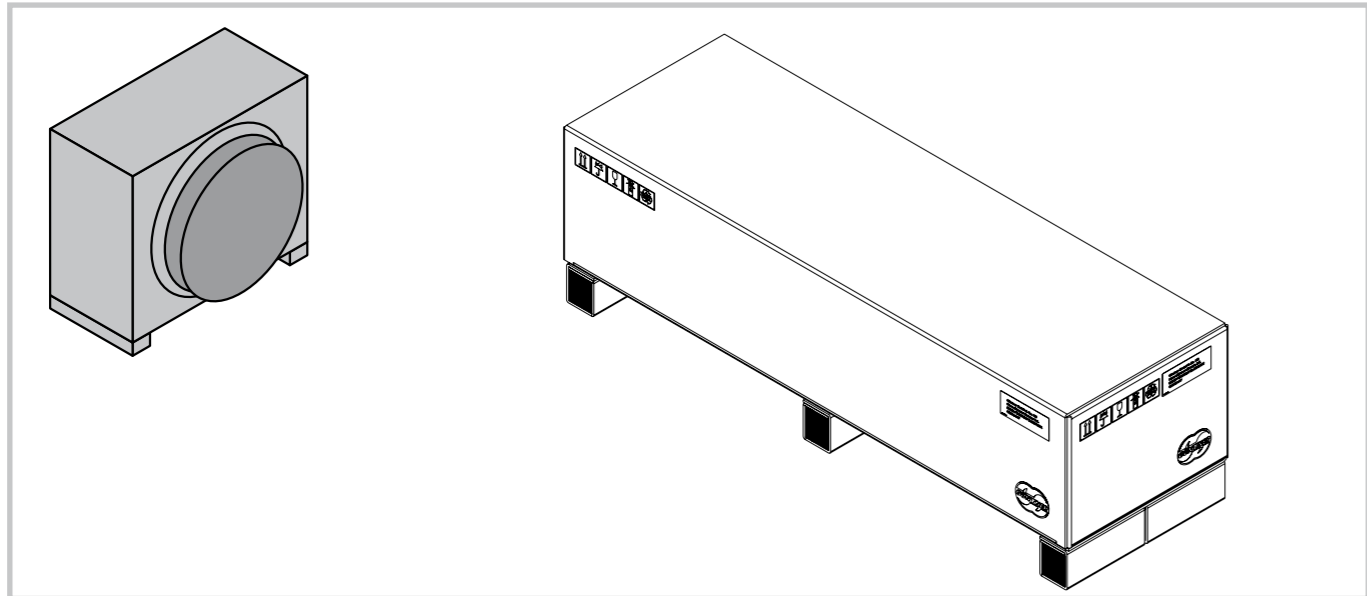


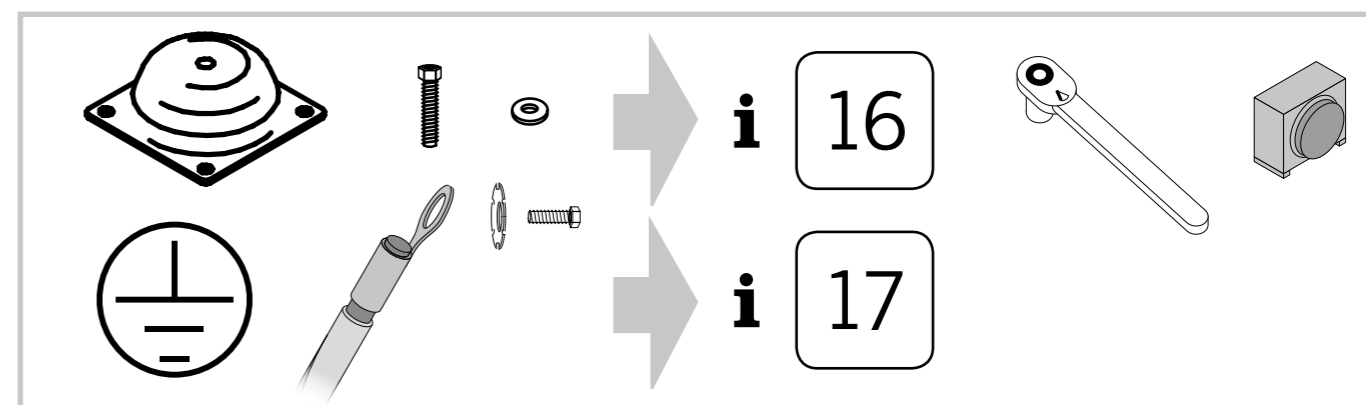
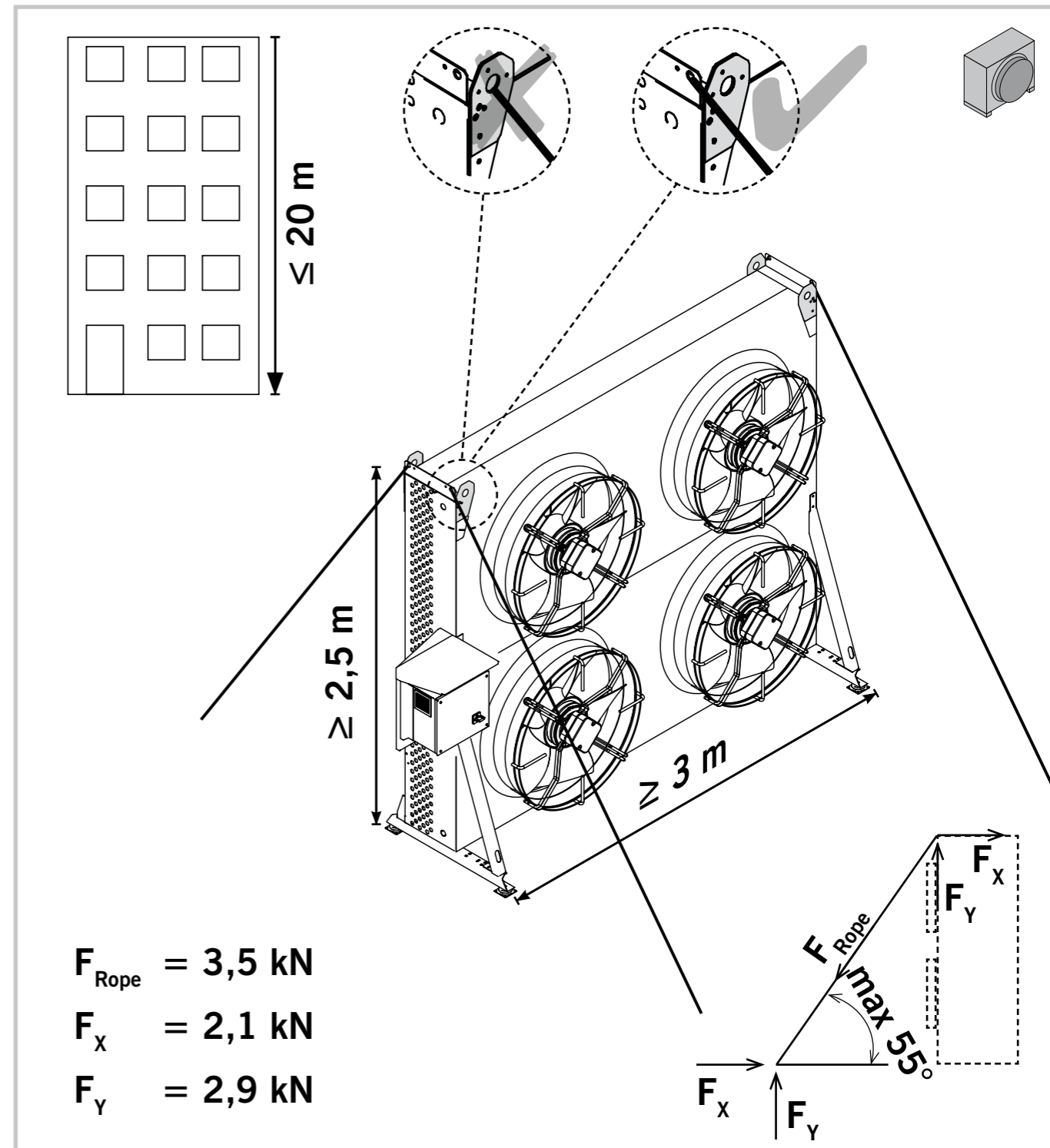
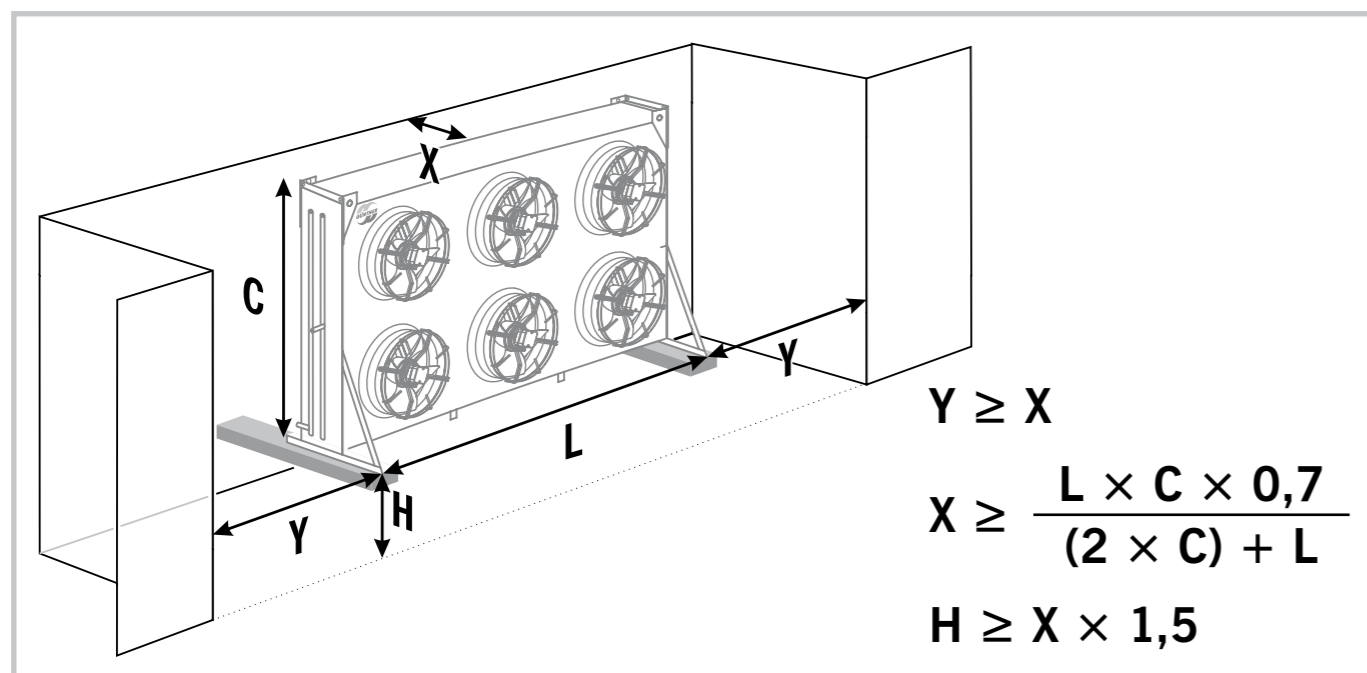
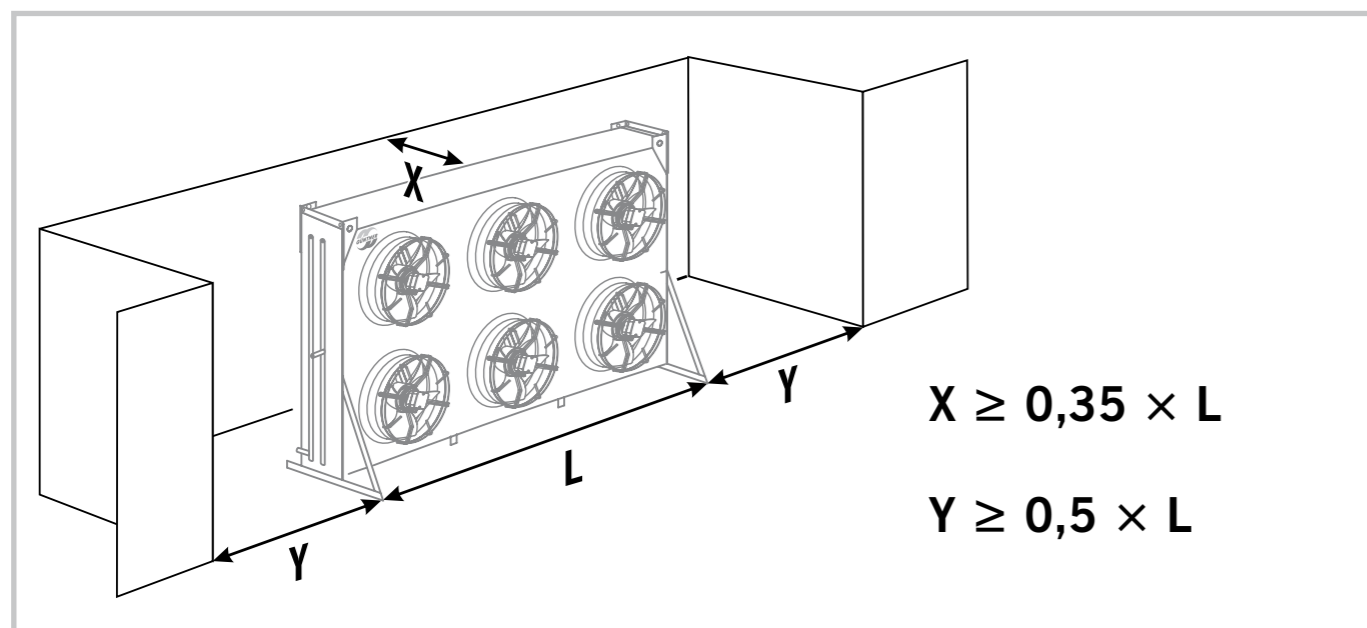
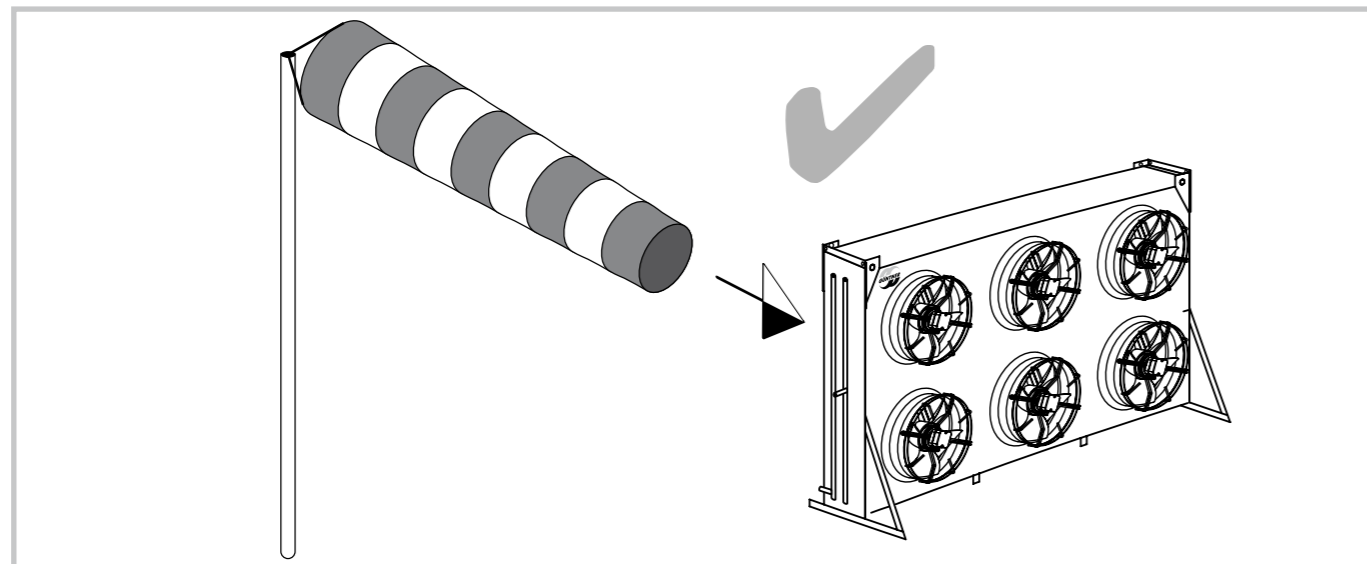




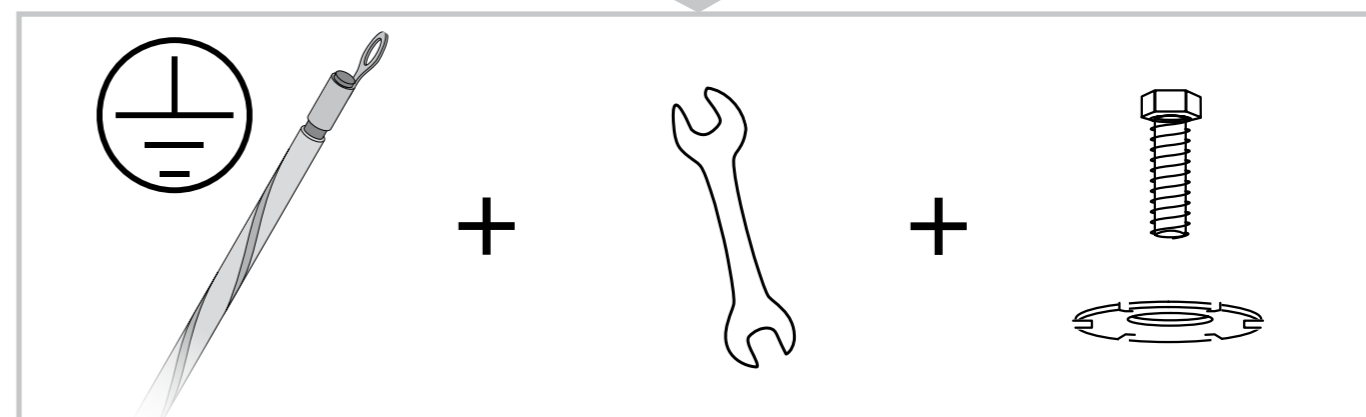
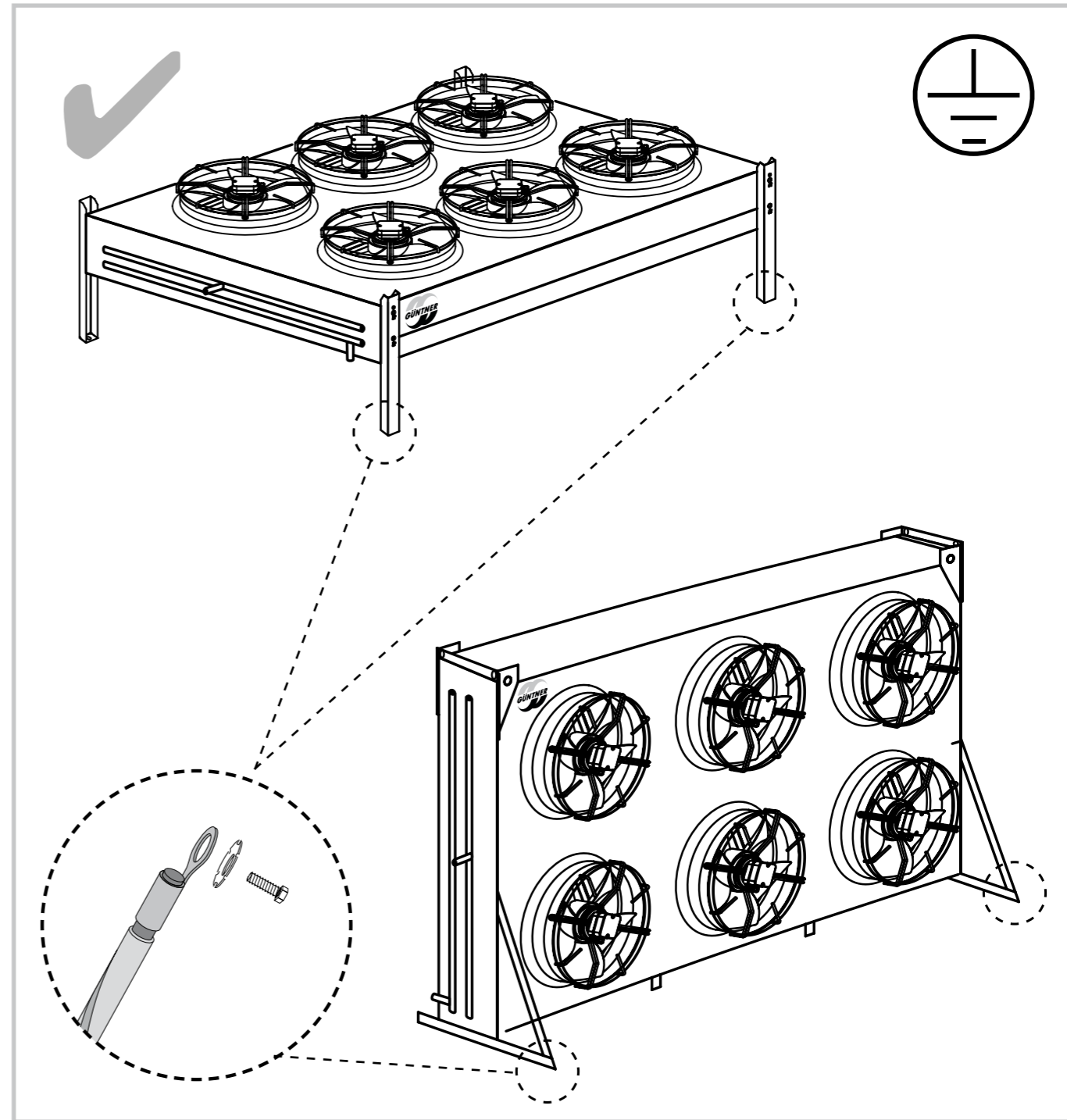
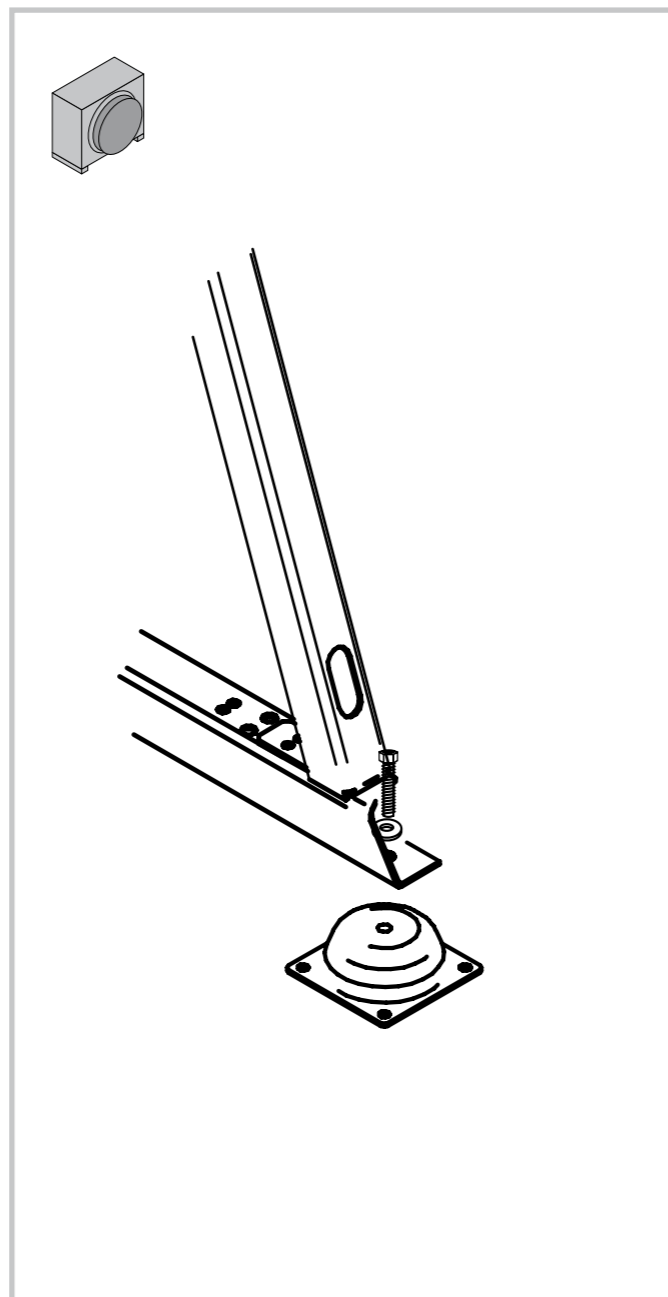
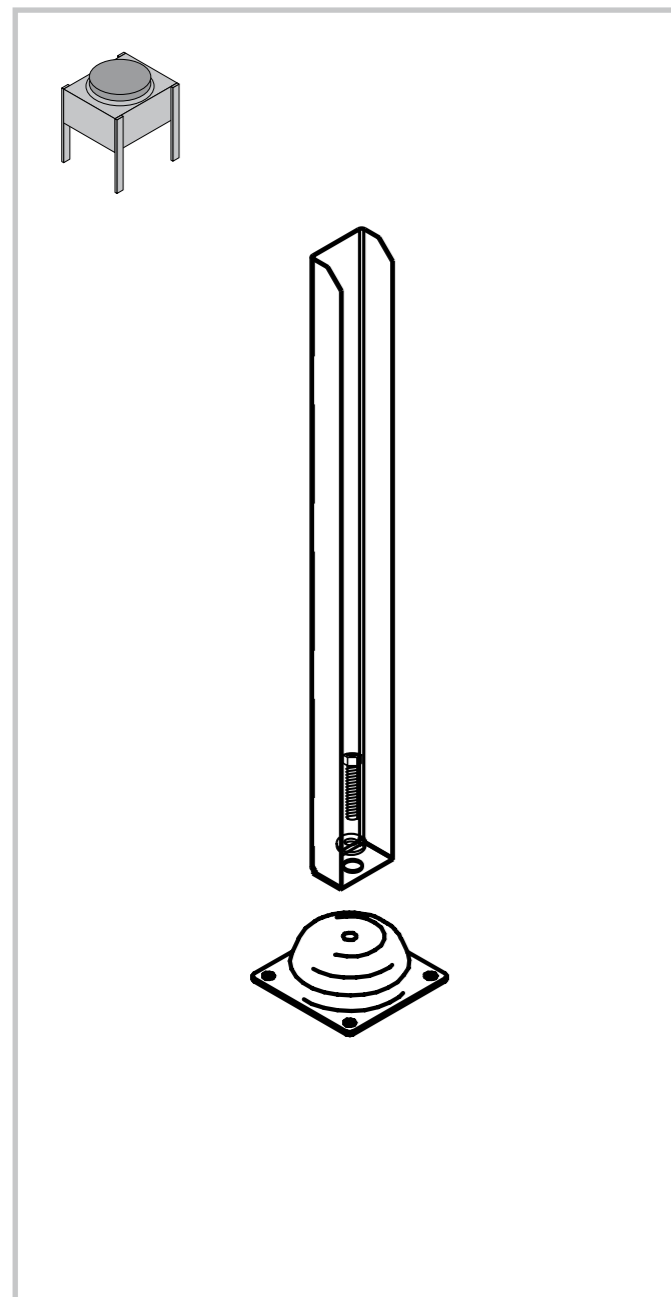


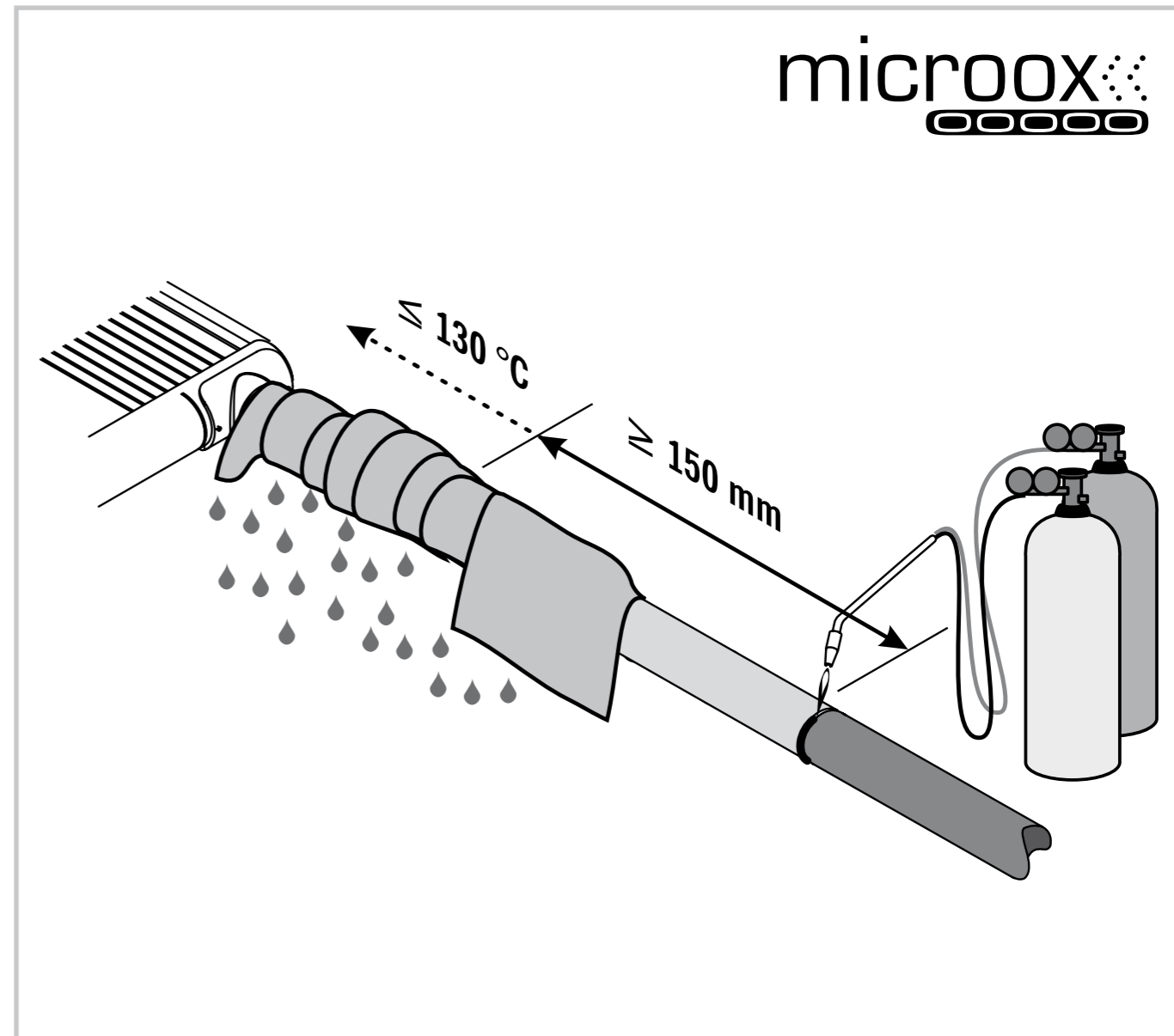
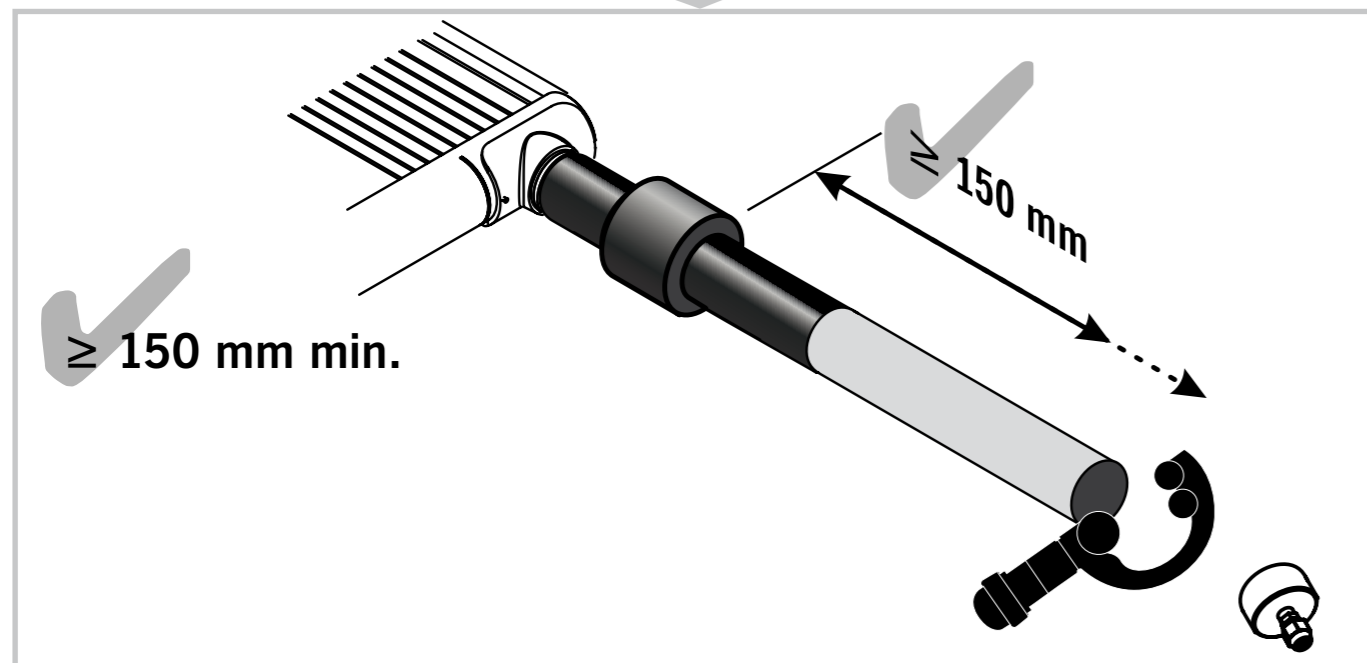
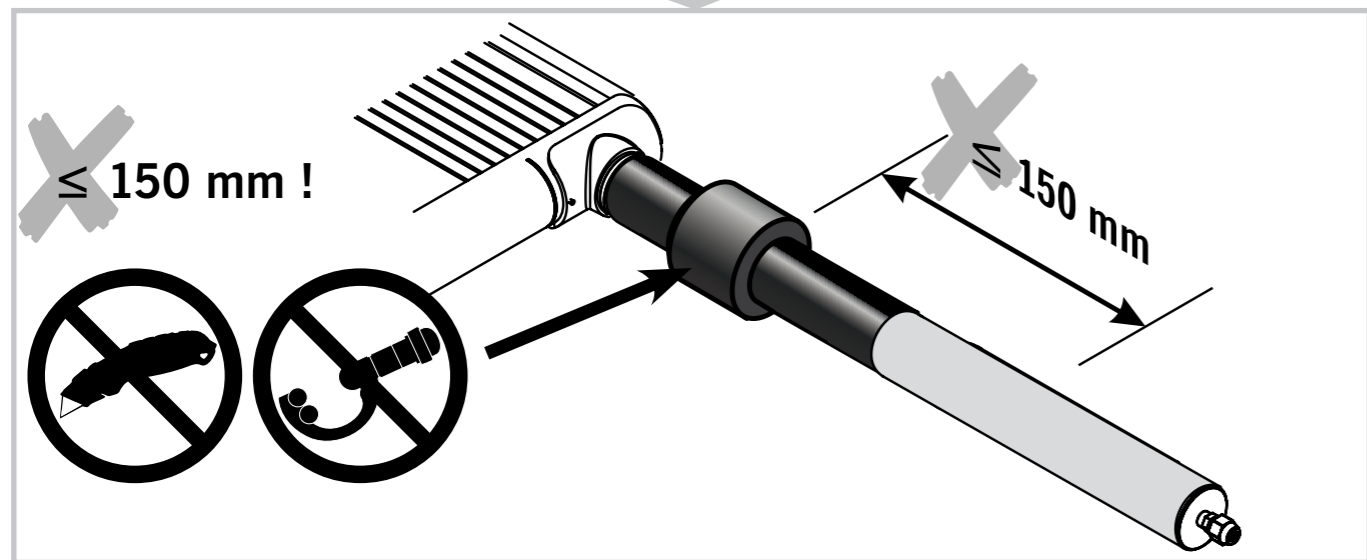
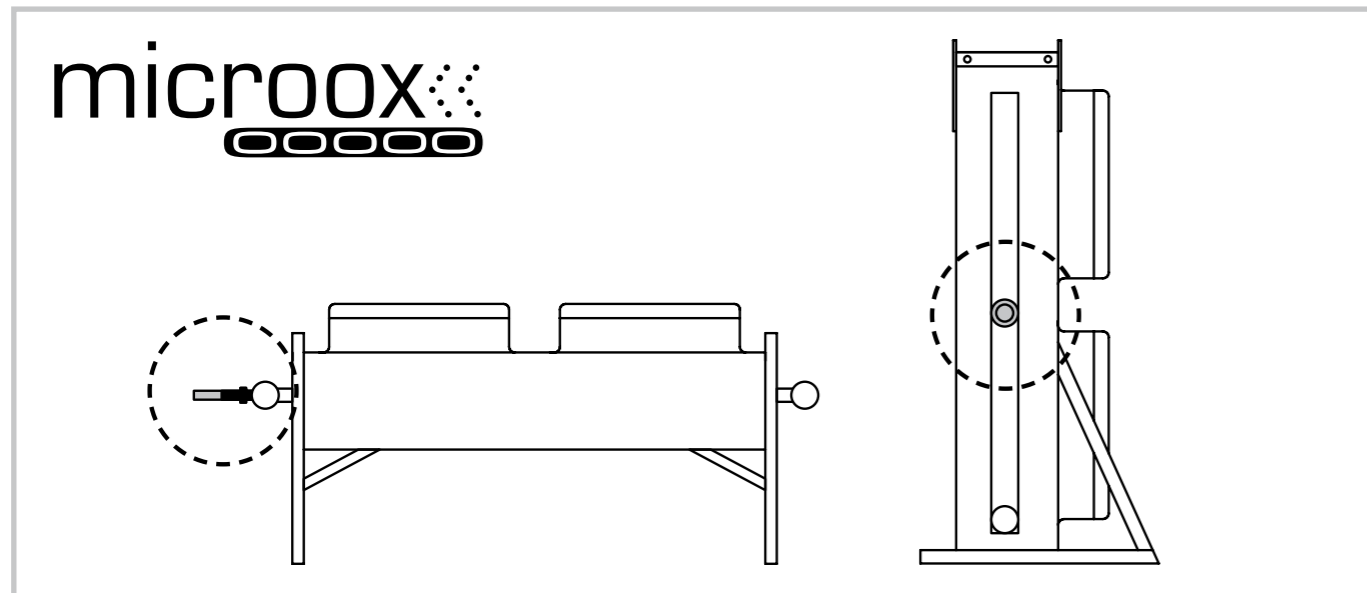






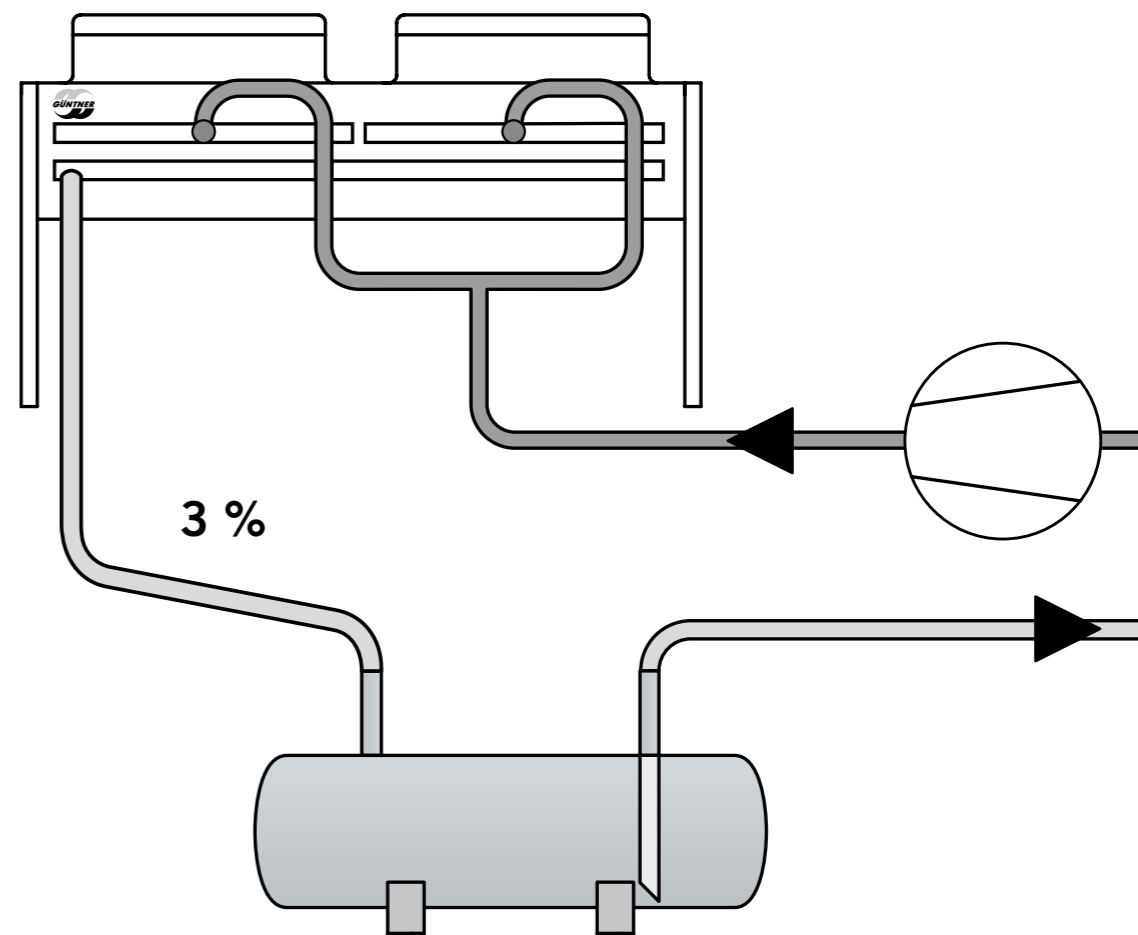
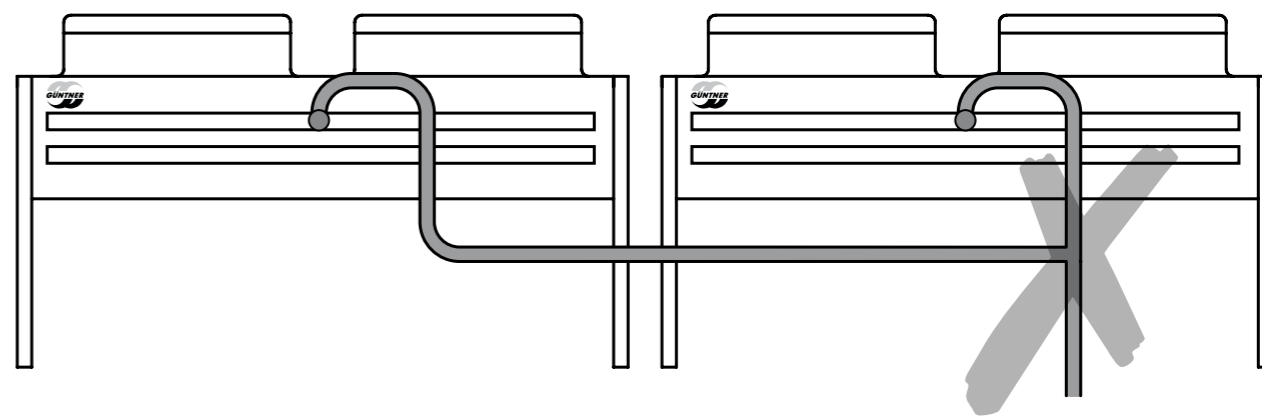
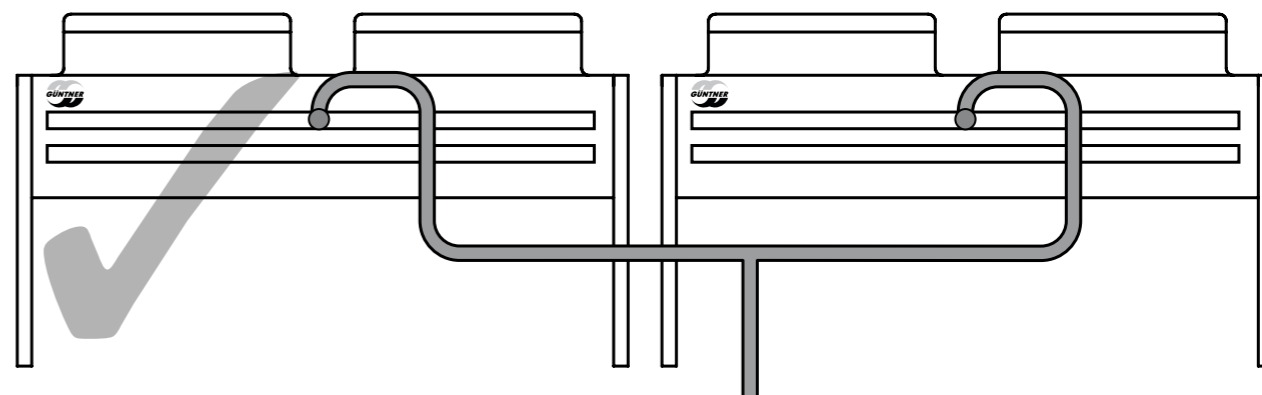
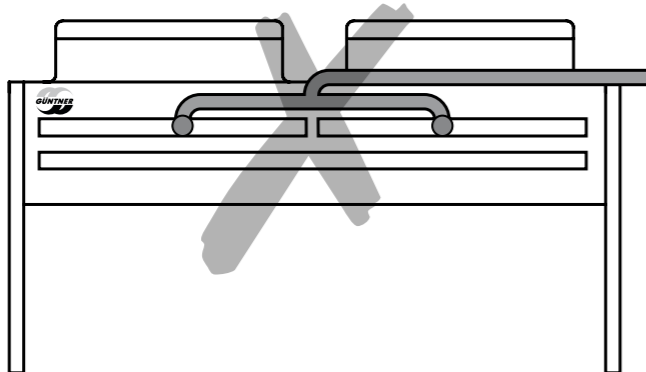
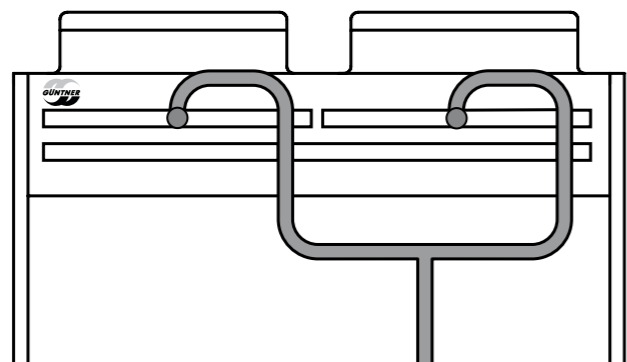
M8 = 25 Nm  
M12 = 80 Nm  
M16 = 206 Nm  
M20 = 415 Nm

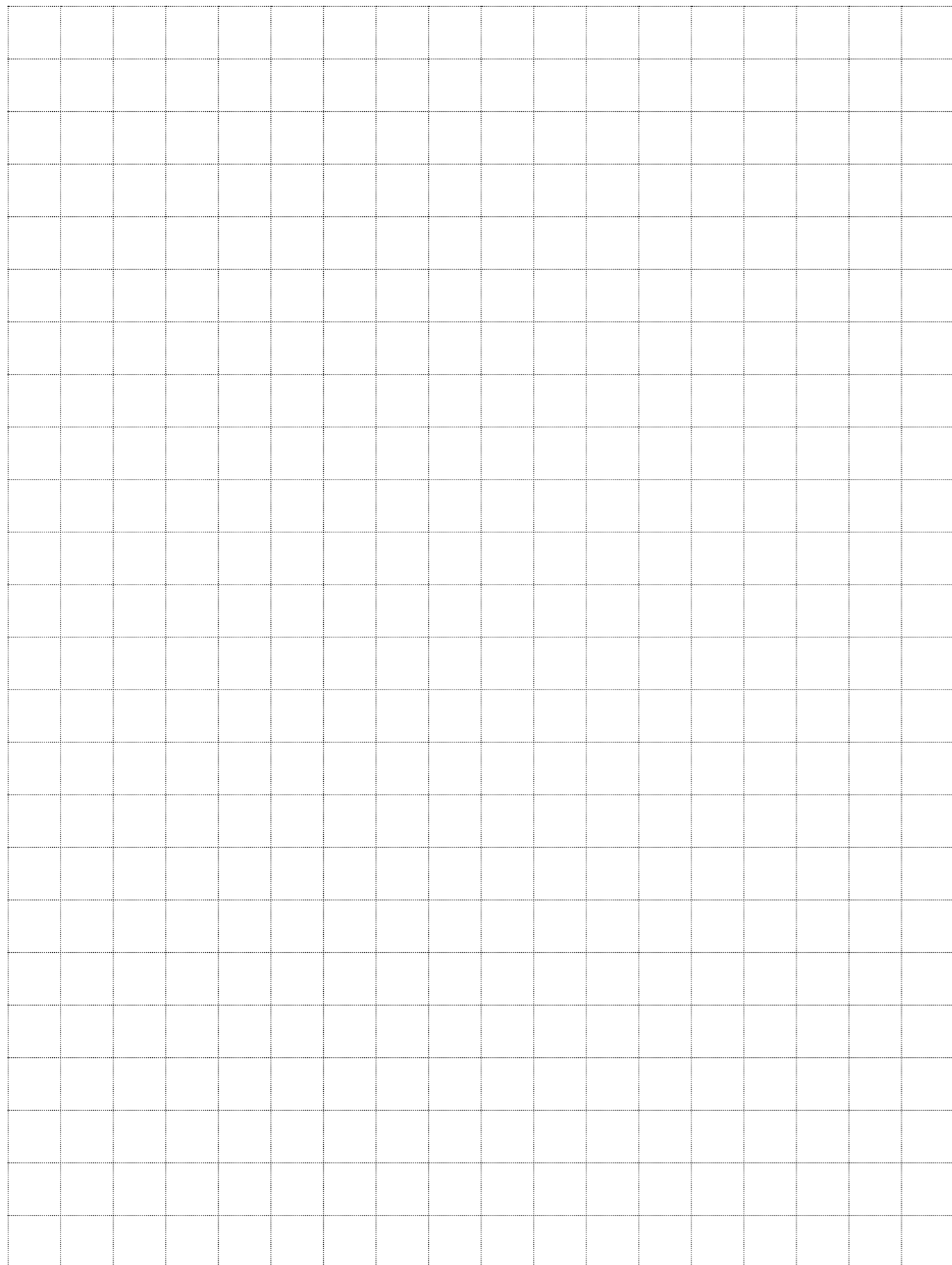




# finoox

# microox





# GÜNTNER APP

DOWNLOAD NOW



Available on the iPhone  
App Store



ANDROID APP ON  
Google play



[guentner.eu/know-how/guentner-app](http://guentner.eu/know-how/guentner-app)



Scan code for manual.

Güntner GmbH & Co. KG  
Hans-Güntner-Str. 2 – 6  
82256 FÜRSTENFELDBRUCK  
GERMANY

[www.guentner.eu](http://www.guentner.eu)

Members of Güntner Group

