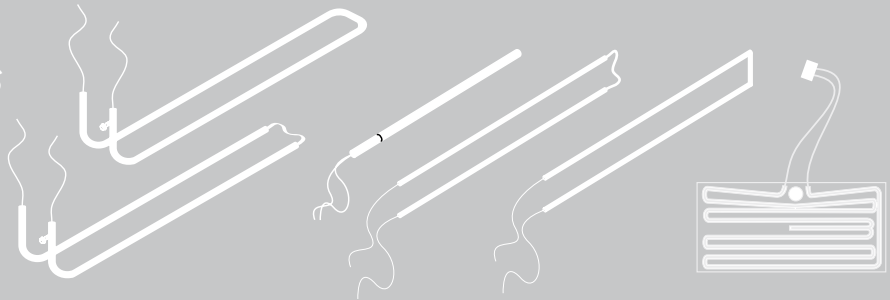


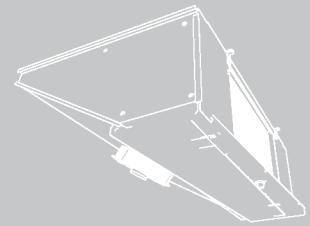
Heating Sets



for

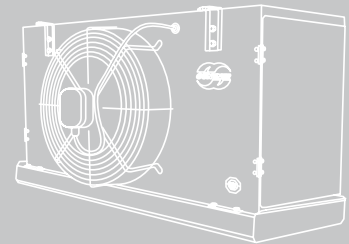
**SLIM / Compact**

Air Cooler



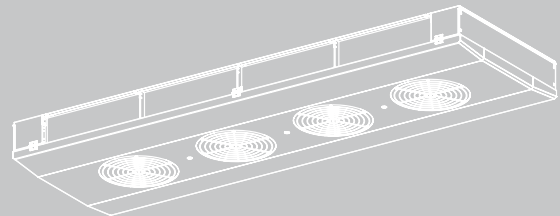
**CUBIC / Compact**

Air cooler



**DUAL / Compact**

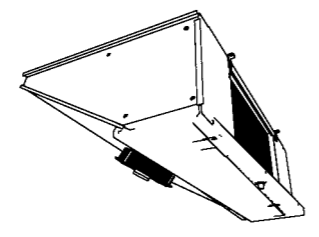
Air cooler



Scan code for manual.

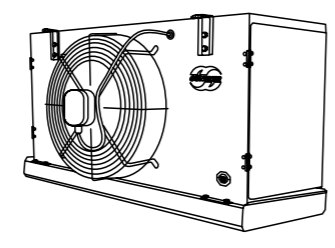
# SLIM / Compact

Air Cooler



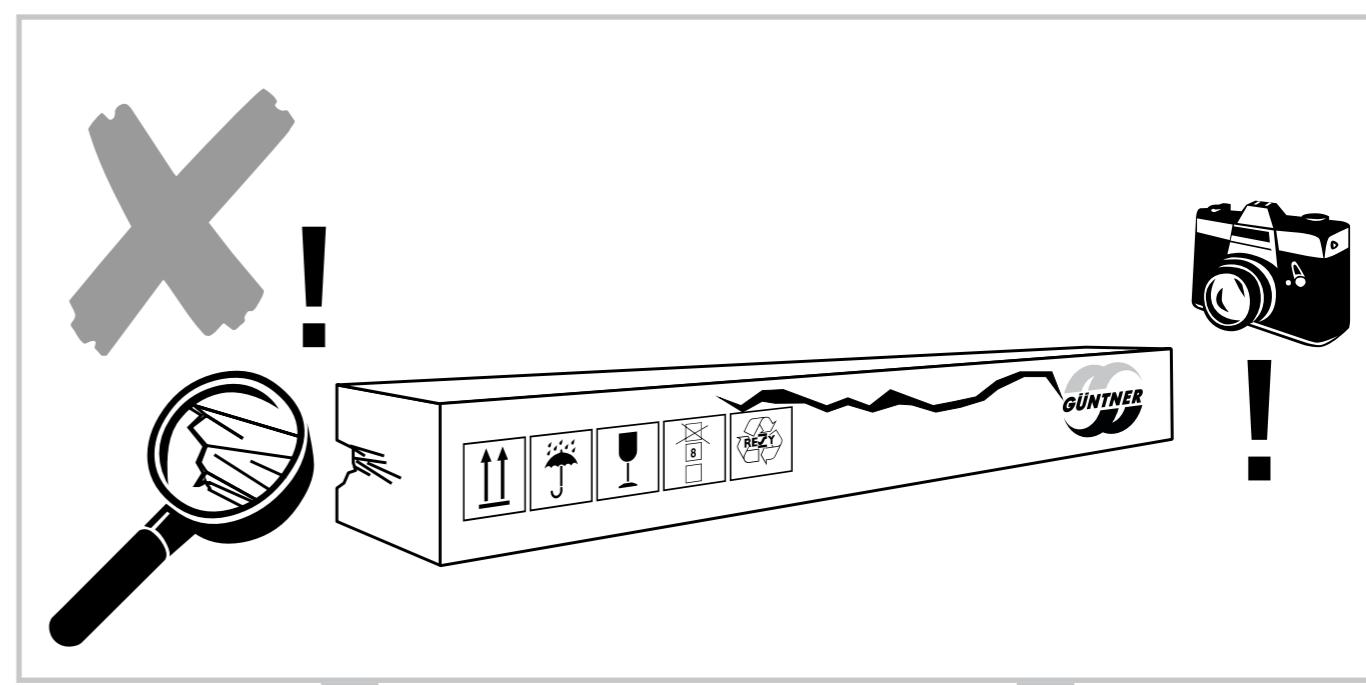
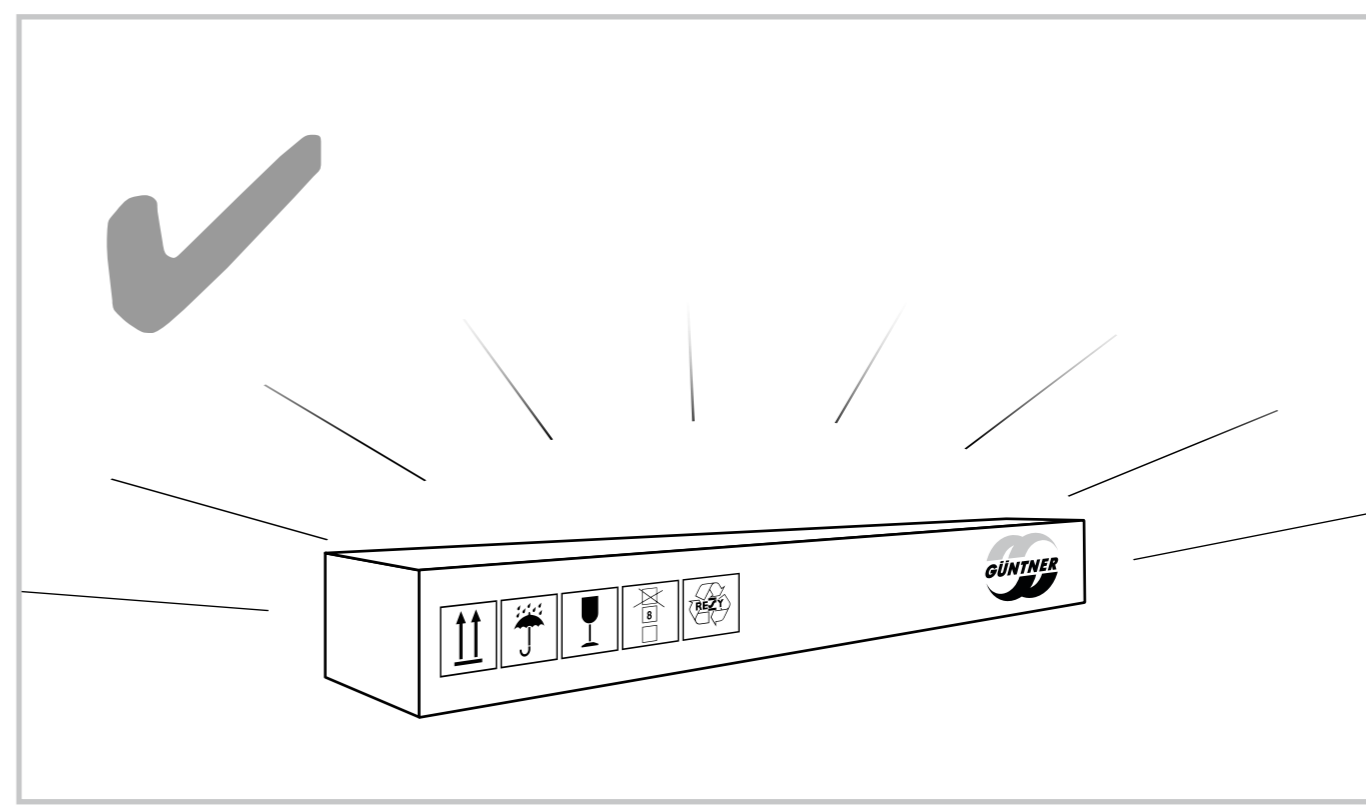
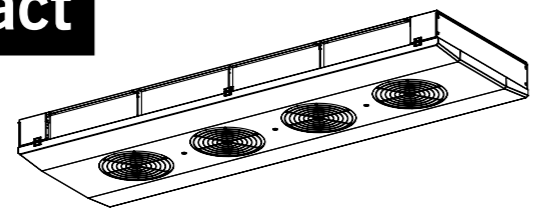
# CUBIC / Compact

Air cooler

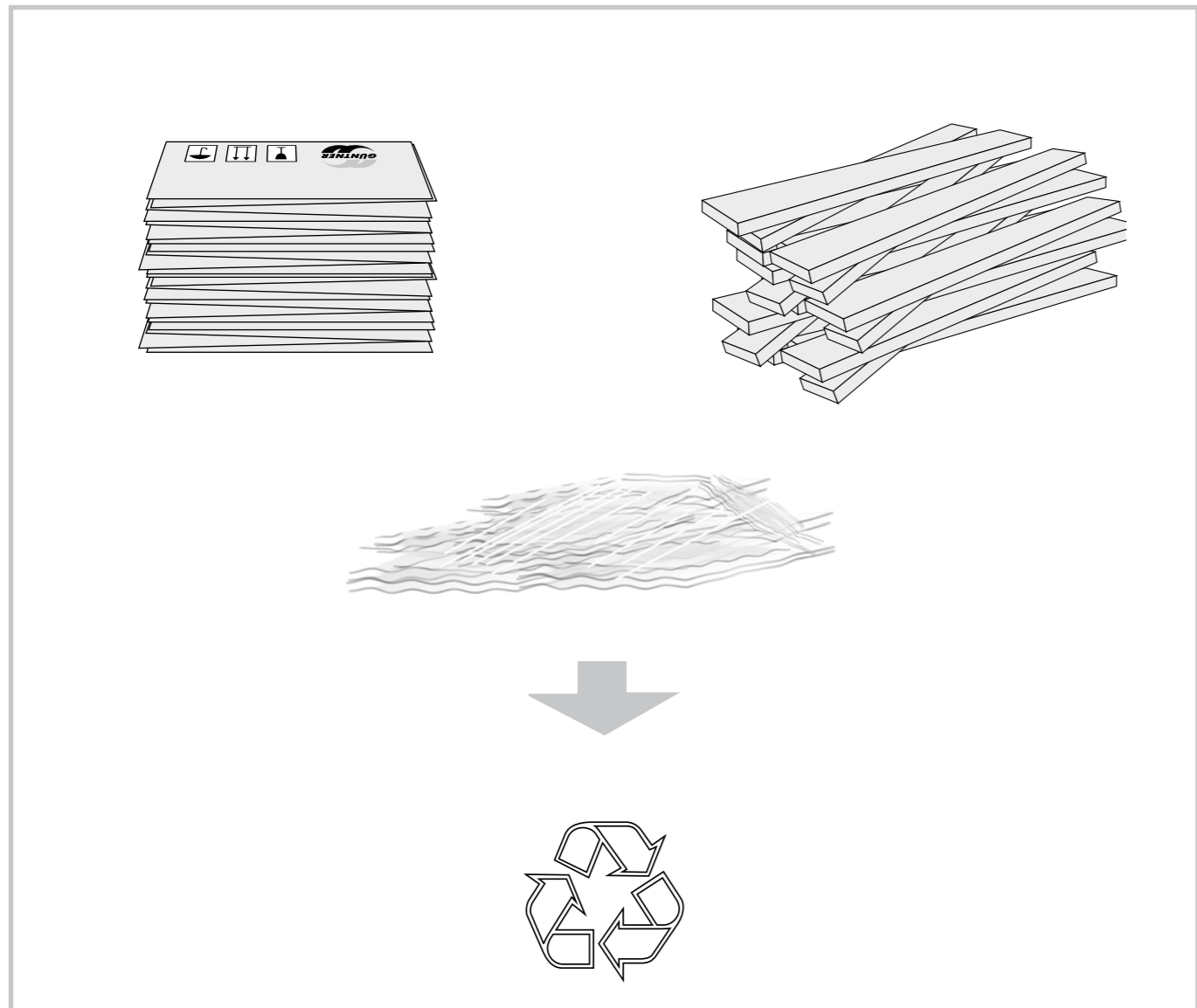
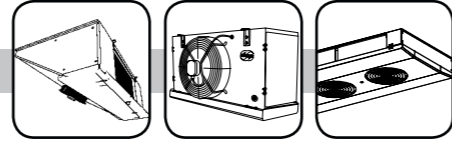
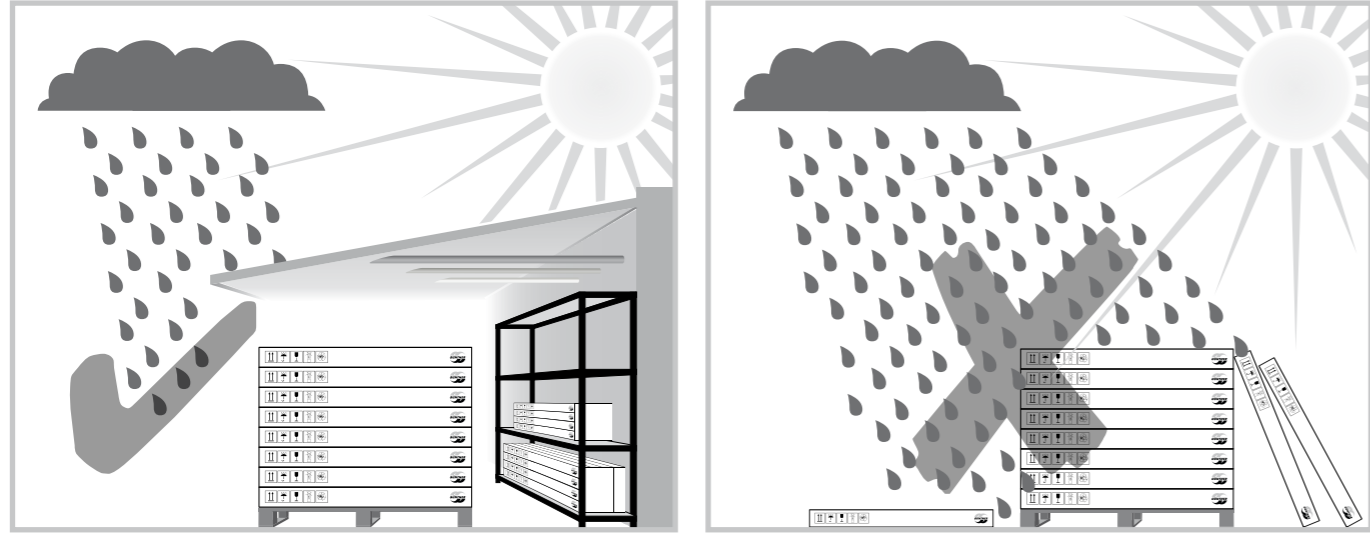
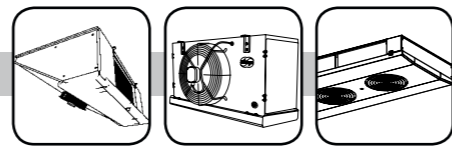


# DUAL / Compact

Air cooler



<p><b>Asia - Pacific</b> www.guentner.asia</p> <p> </p>	<p><b>Europe</b> www.guentner.com</p> <p> shippingDE@guentner.com</p> <p> +49 8141 242 - 4815</p> <p> +49 8141 242 - 422</p>
---	--



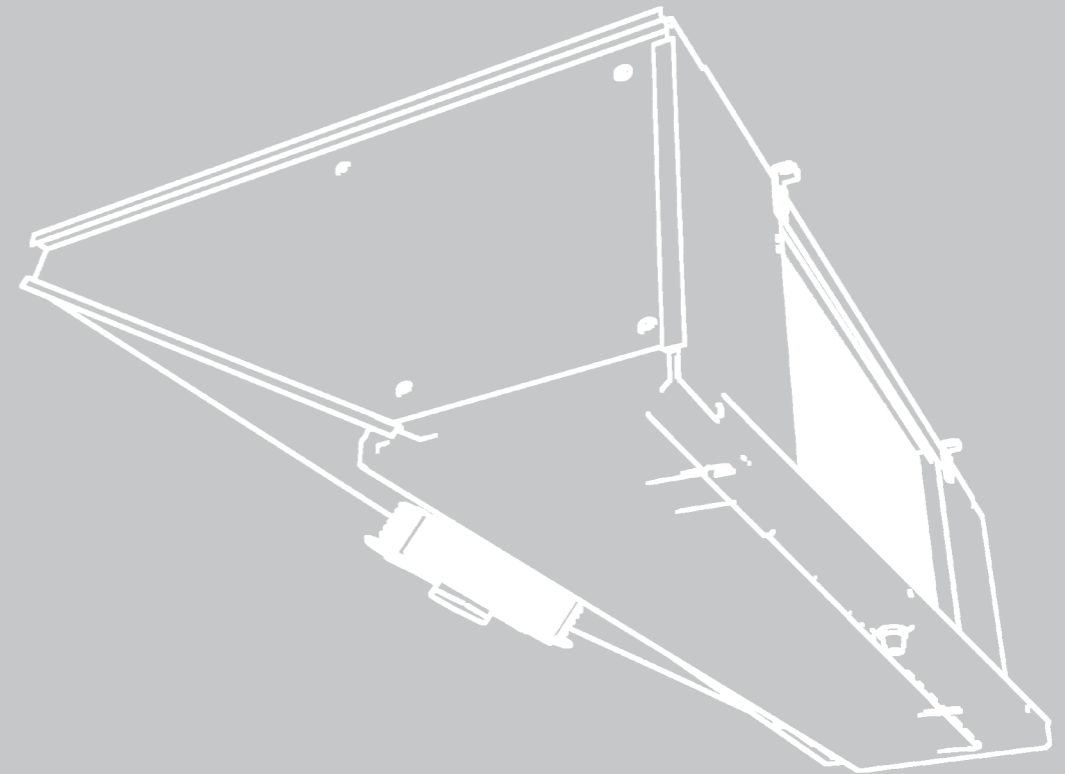
Heating Set

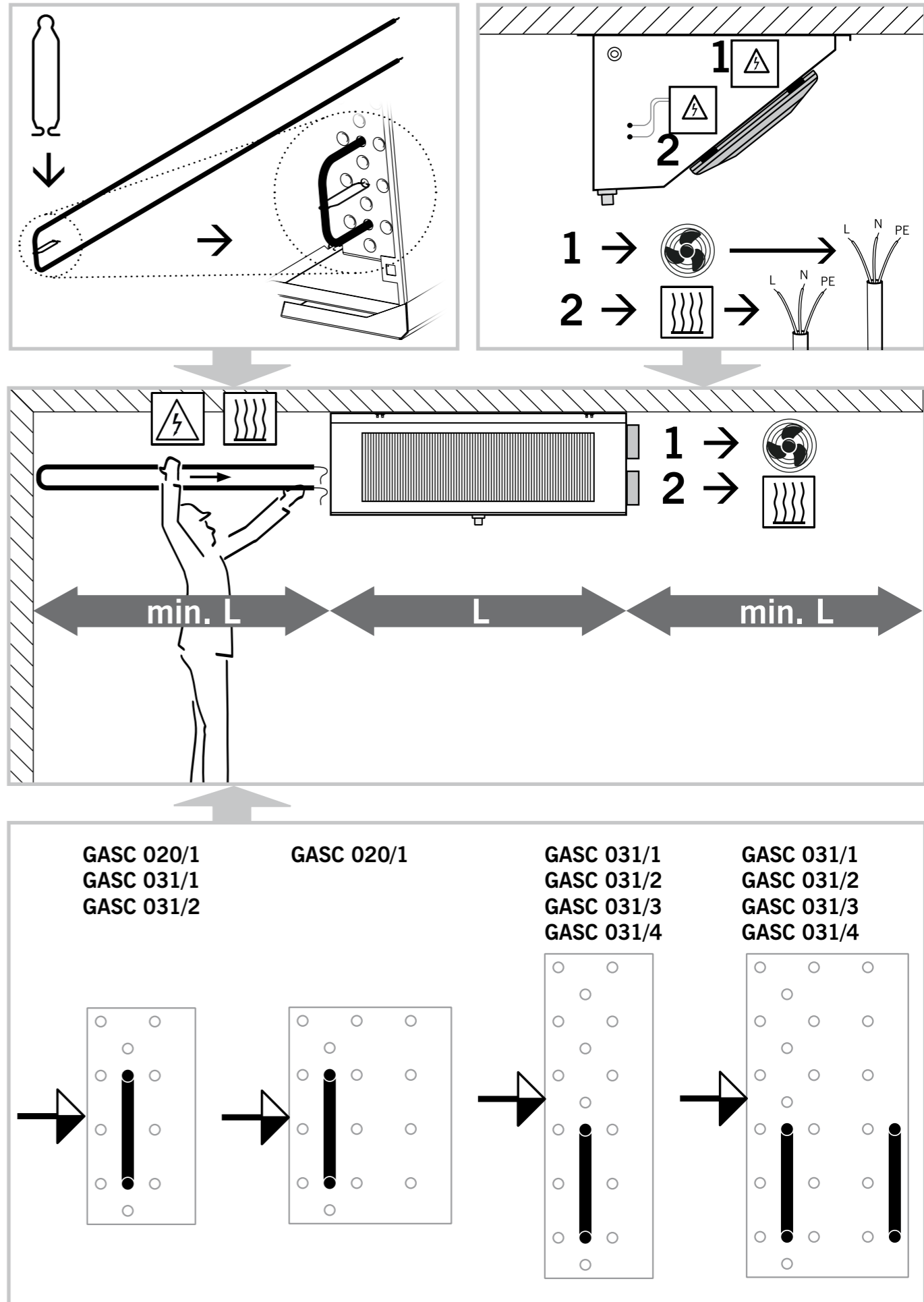
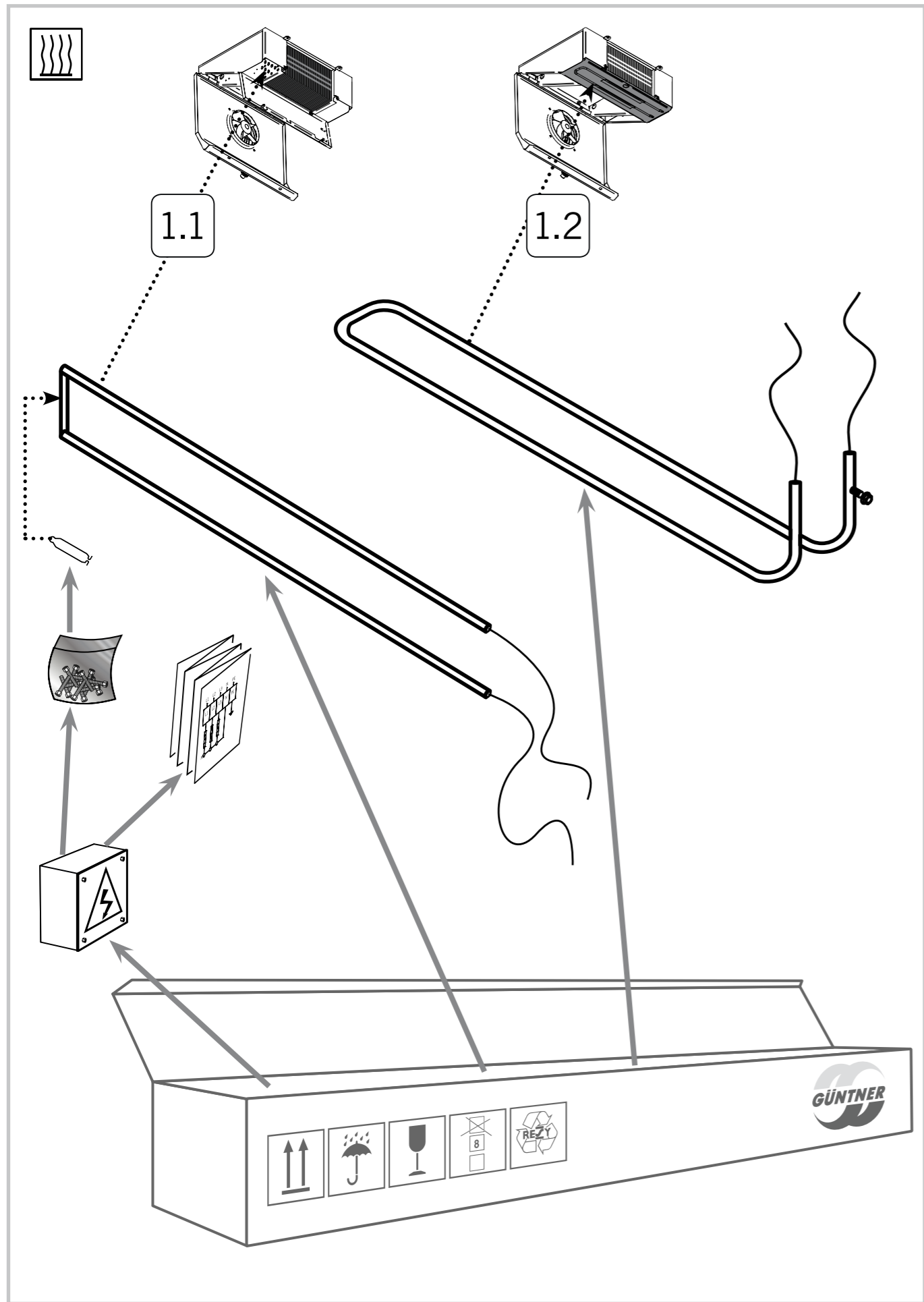
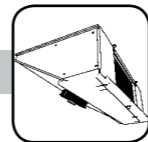
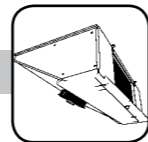


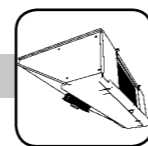
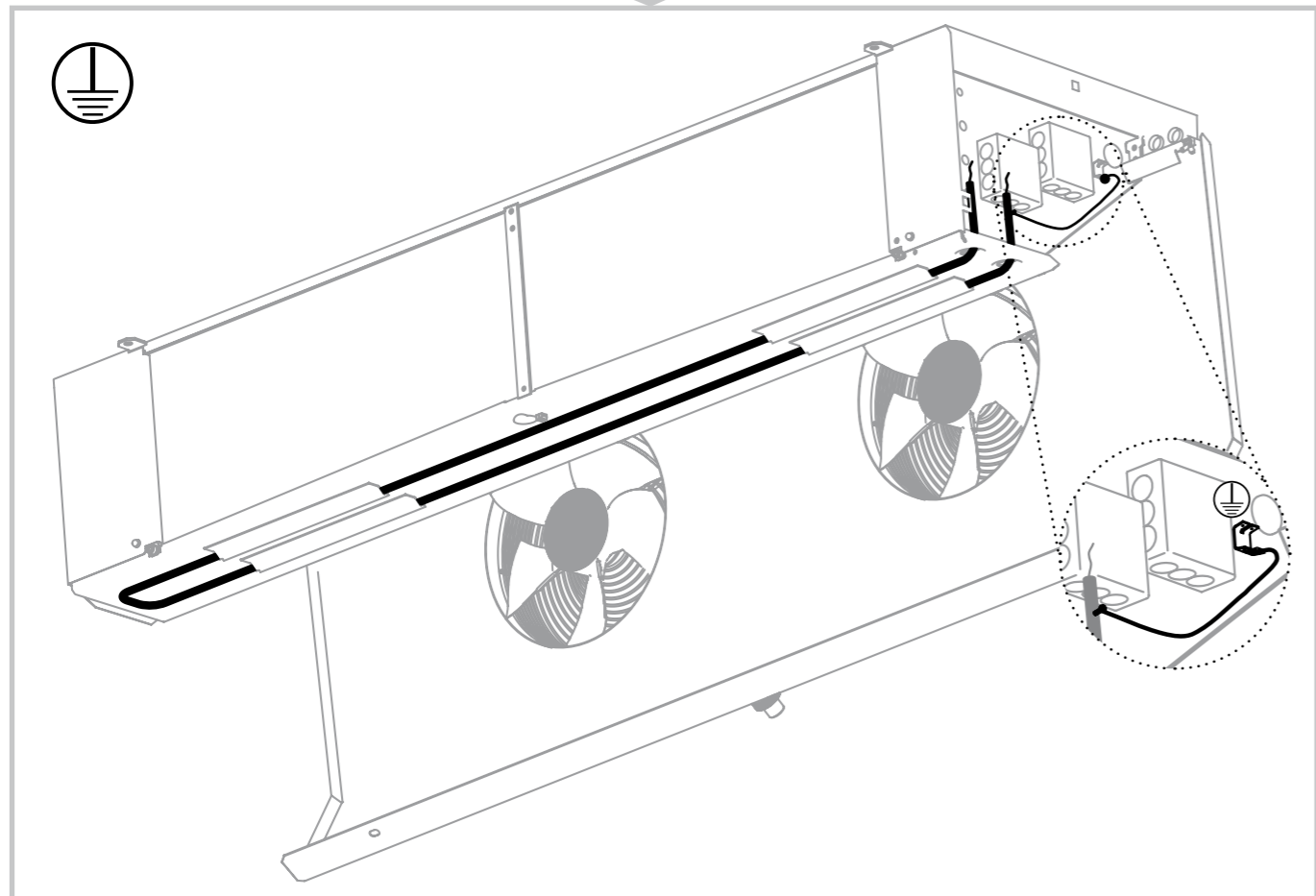
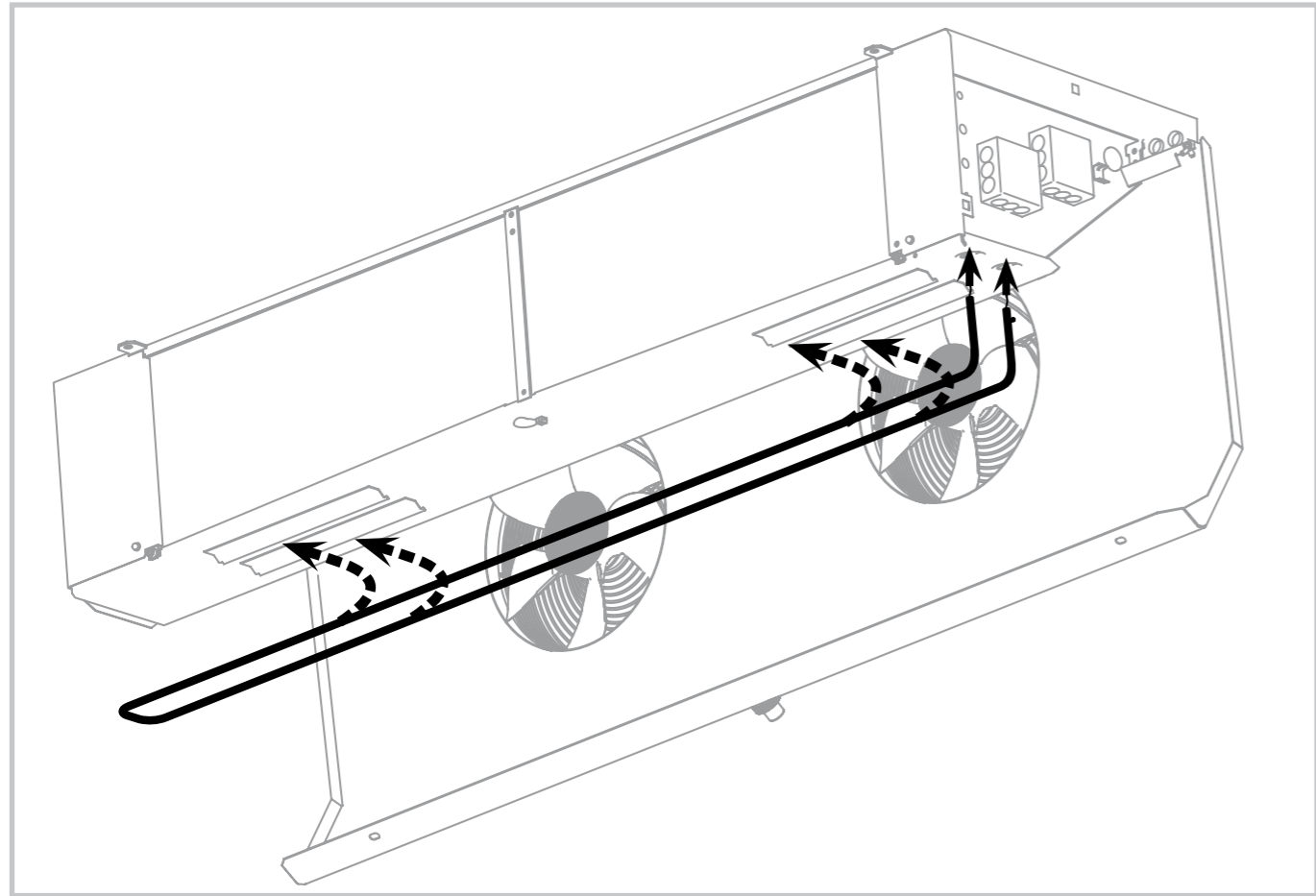
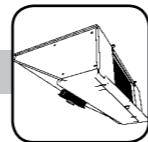
for

SLIM / Compact

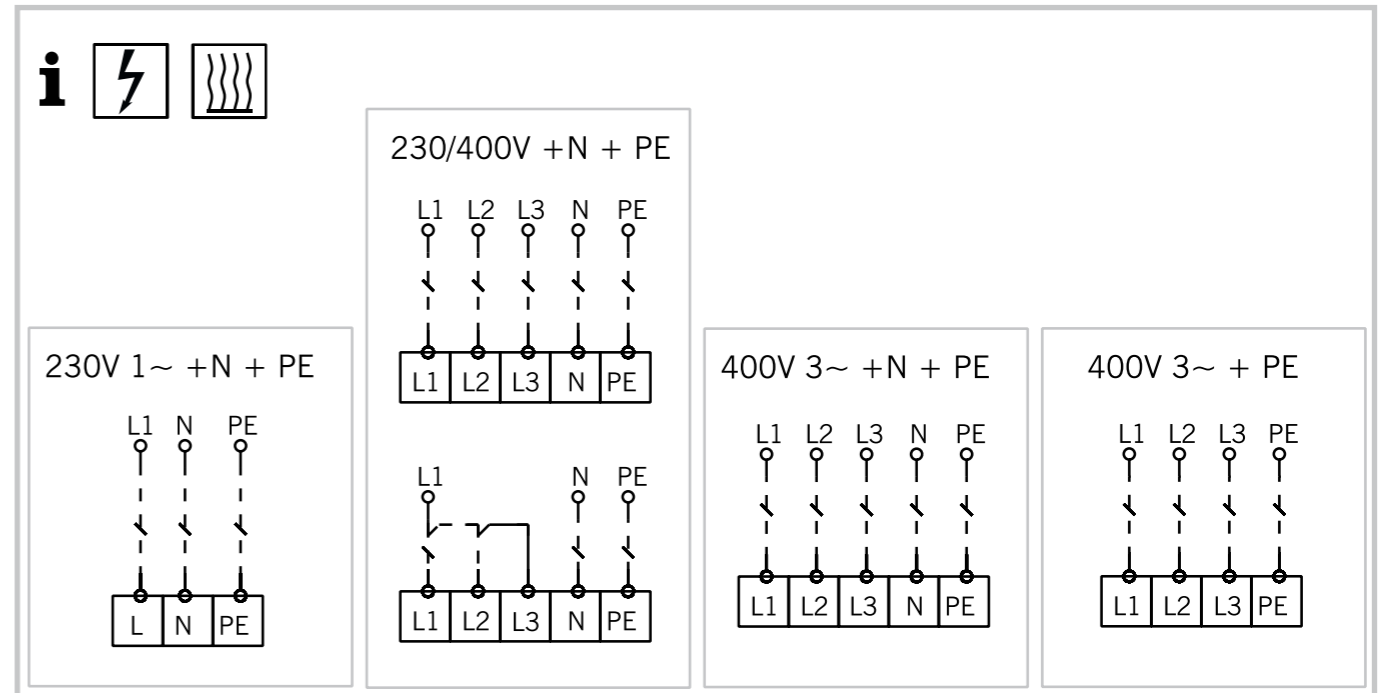
Air Cooler

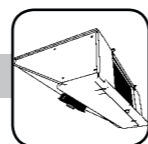






			 U [V]	 P [kW] total
GASC..020../1-40.A GASC..020../1-70.A		1	230V 1~ N+PE	0,59
GASC..031../1-40.A GASC..031../1-70.A		1		0,95
GASC..031../1-40.A GASC..031../1-70.A		1		1,55
GASC..031../2-40.A GASC..031../2-70.A		1		1,8
GASC..031../2-40.A GASC..031../2-70.A		1		2,45
GASC..031../3-40.A GASC..031../3-70.A		1		230/400V N+PE
GASC..031../3-40.A GASC..031../3-70.A		1	3,4	
GASC..031../4-40.A GASC..031../4-70.A		1	4,05	
GASC..031../4-40.A GASC..031../4-70.A		1	5,7	
			400V 3~ N+PE	





<p><b>Artikel-Nr.</b> <b>Code Nr.</b></p>			
GASC..020.../1-40.A GASC..020.../1-70.A	1	1	<b>AY7.001473</b>
GASC..031.../1-40.A GASC..031.../1-70.A	1	1	<b>AY7.001474</b>
GASC..031.../1-40.A GASC..031.../1-70.A	2	1	<b>AY7.001475</b>
GASC..031.../2-40.A GASC..031.../2-70.A	1	1	<b>AY7.001476</b>
GASC..031.../2-40.A GASC..031.../2-70.A	2	1	<b>AY7.001477</b>
GASC..031.../3-40.A GASC..031.../3-70.A	1	1	<b>AY7.001478</b>
GASC..031.../3-40.A GASC..031.../3-70.A	2	1	<b>AY7.001479</b>
GASC..031.../4-40.A GASC..031.../4-70.A	1	1	<b>AY7.001480</b>
GASC..031.../4-40.A GASC..031.../4-70.A	2	1	<b>AY7.001481</b>

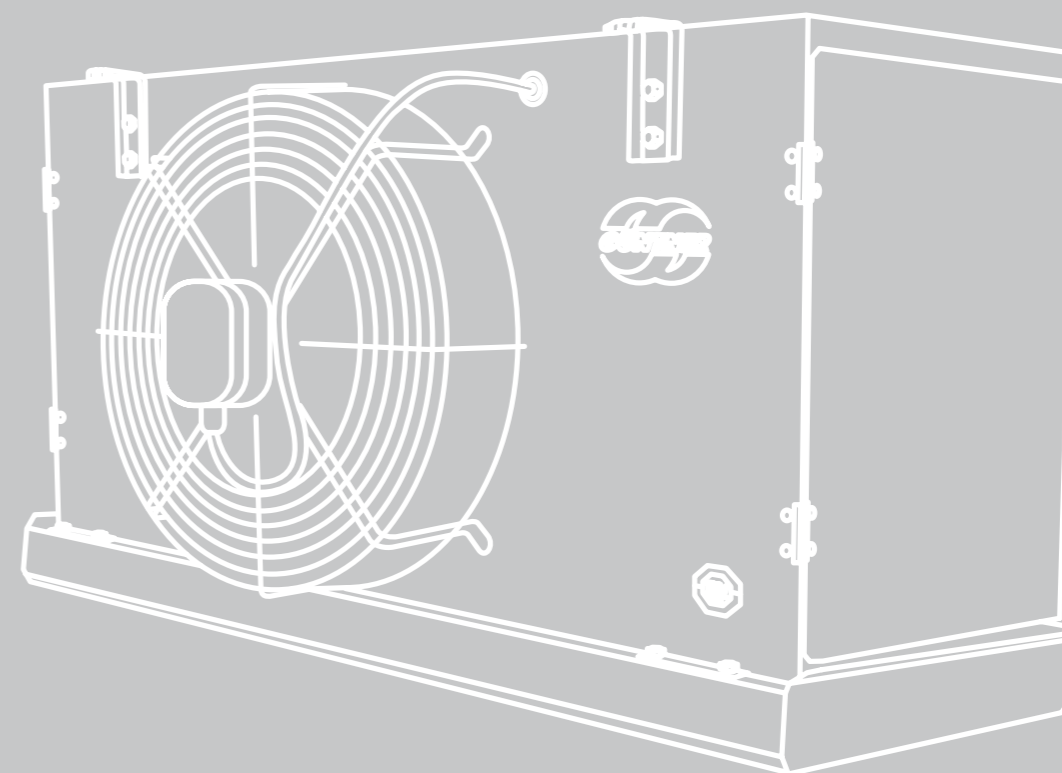
Heating Set

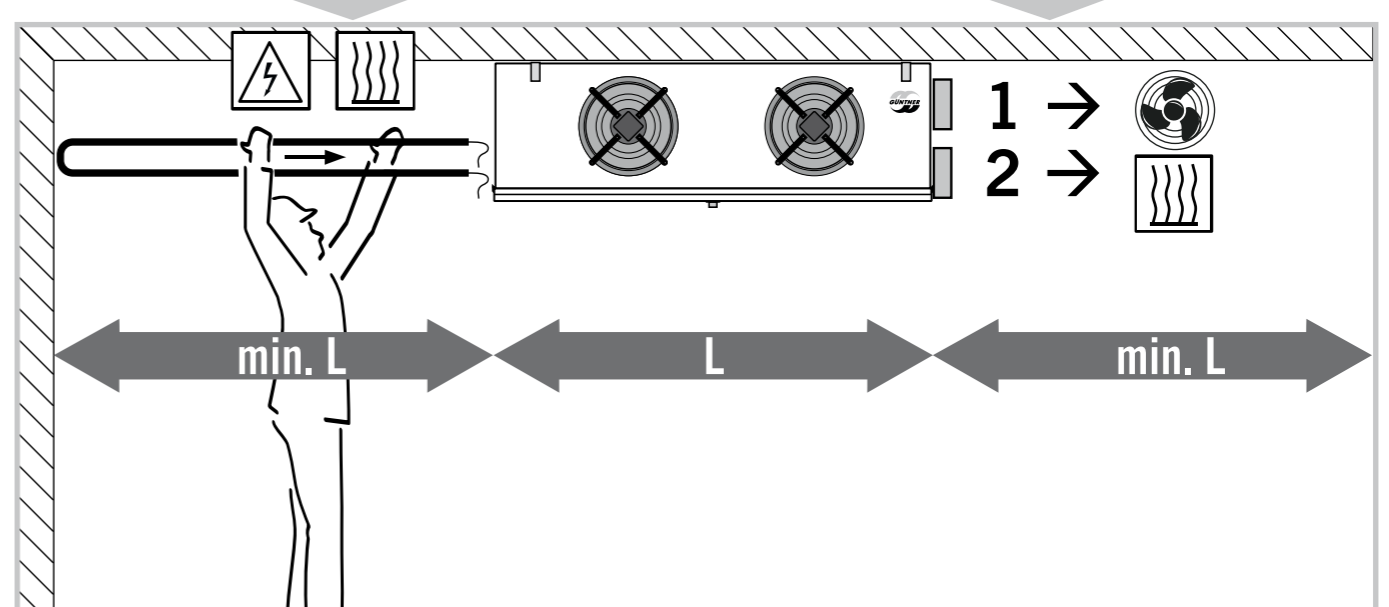
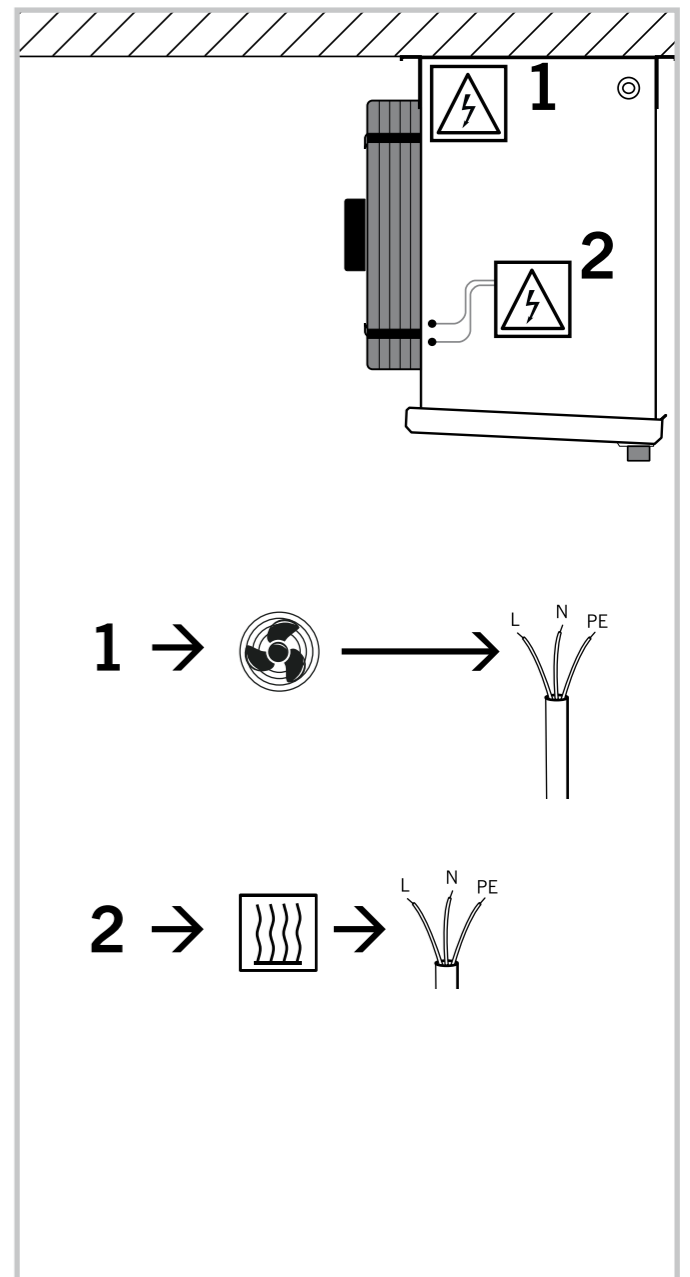
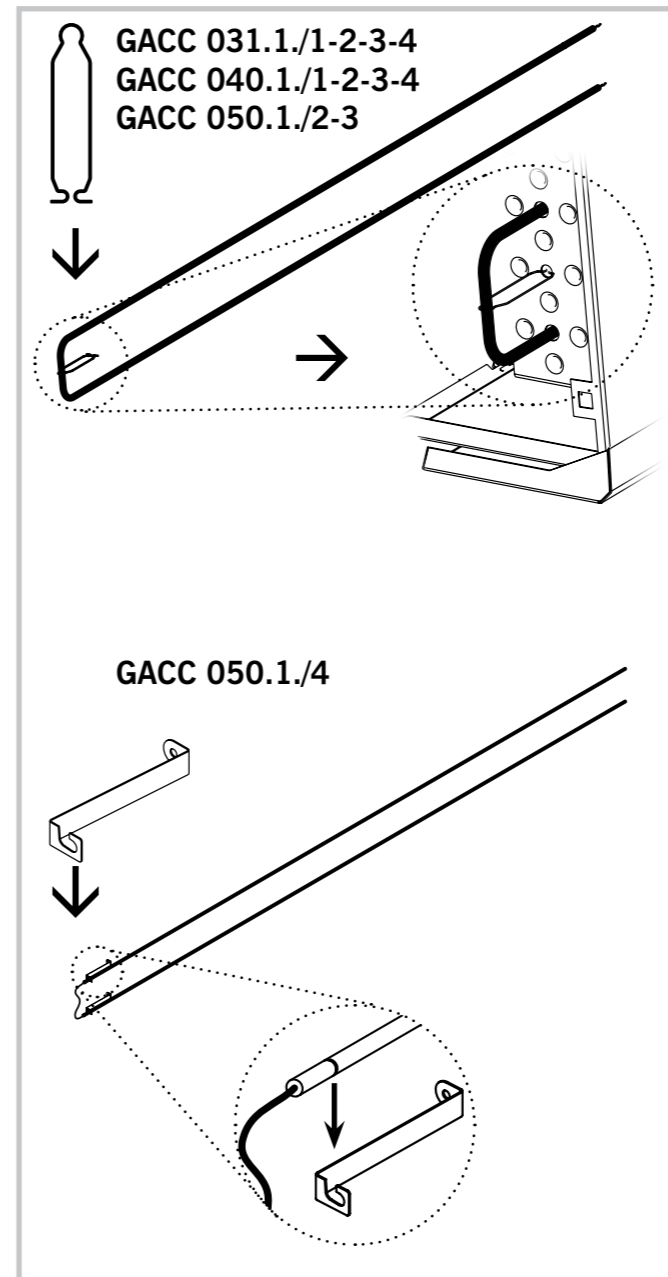
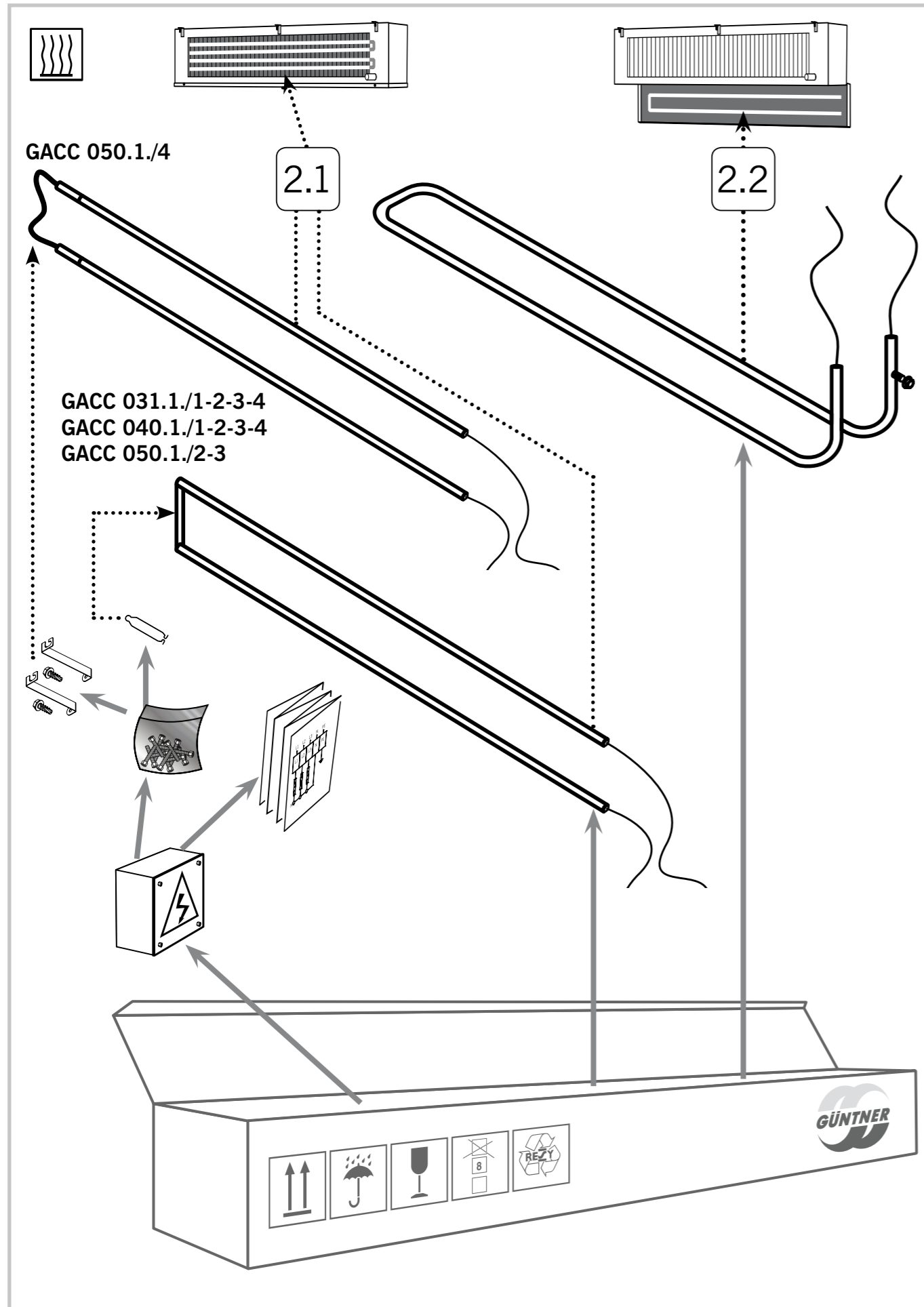
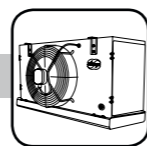
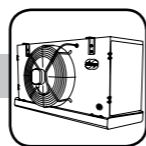


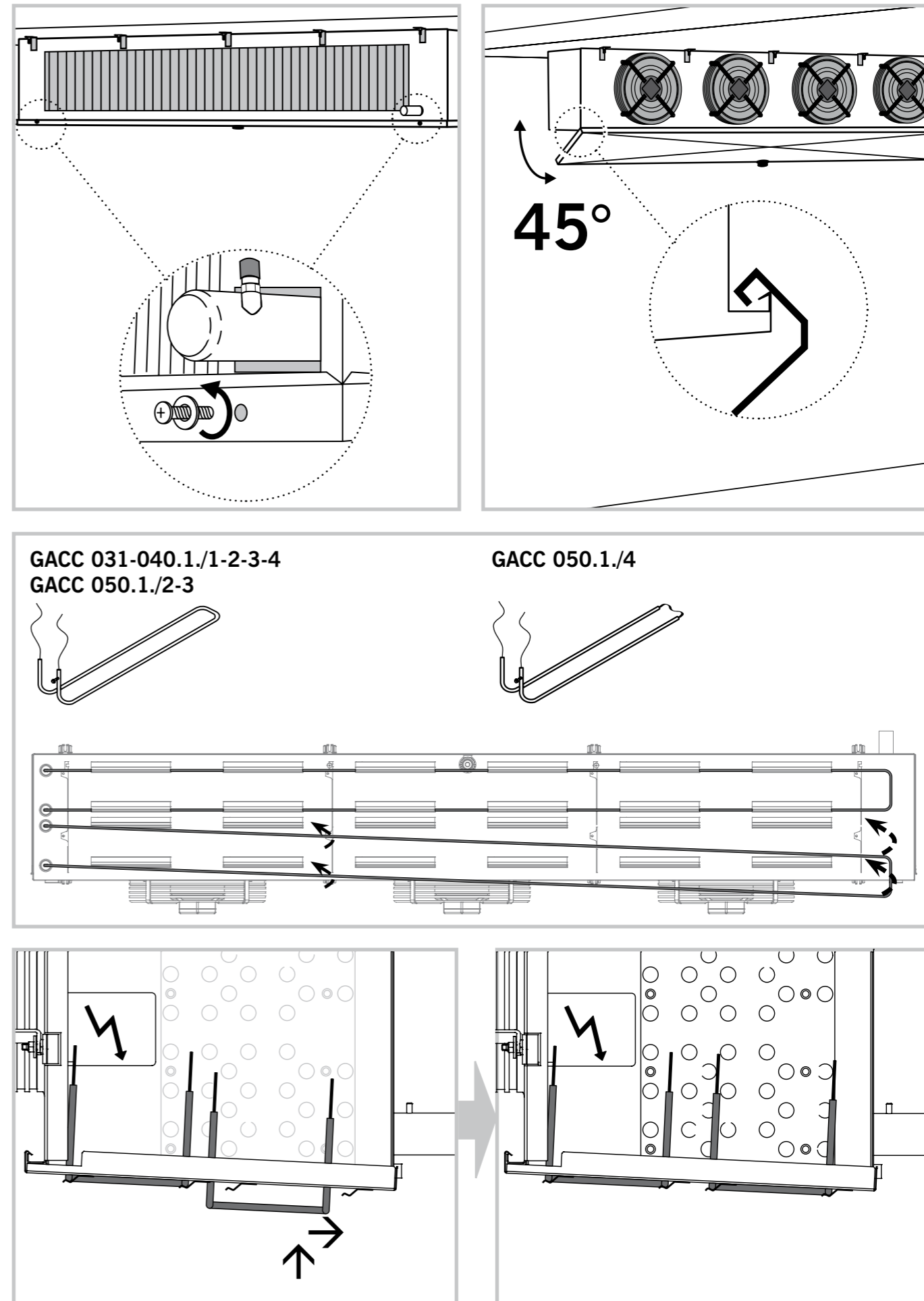
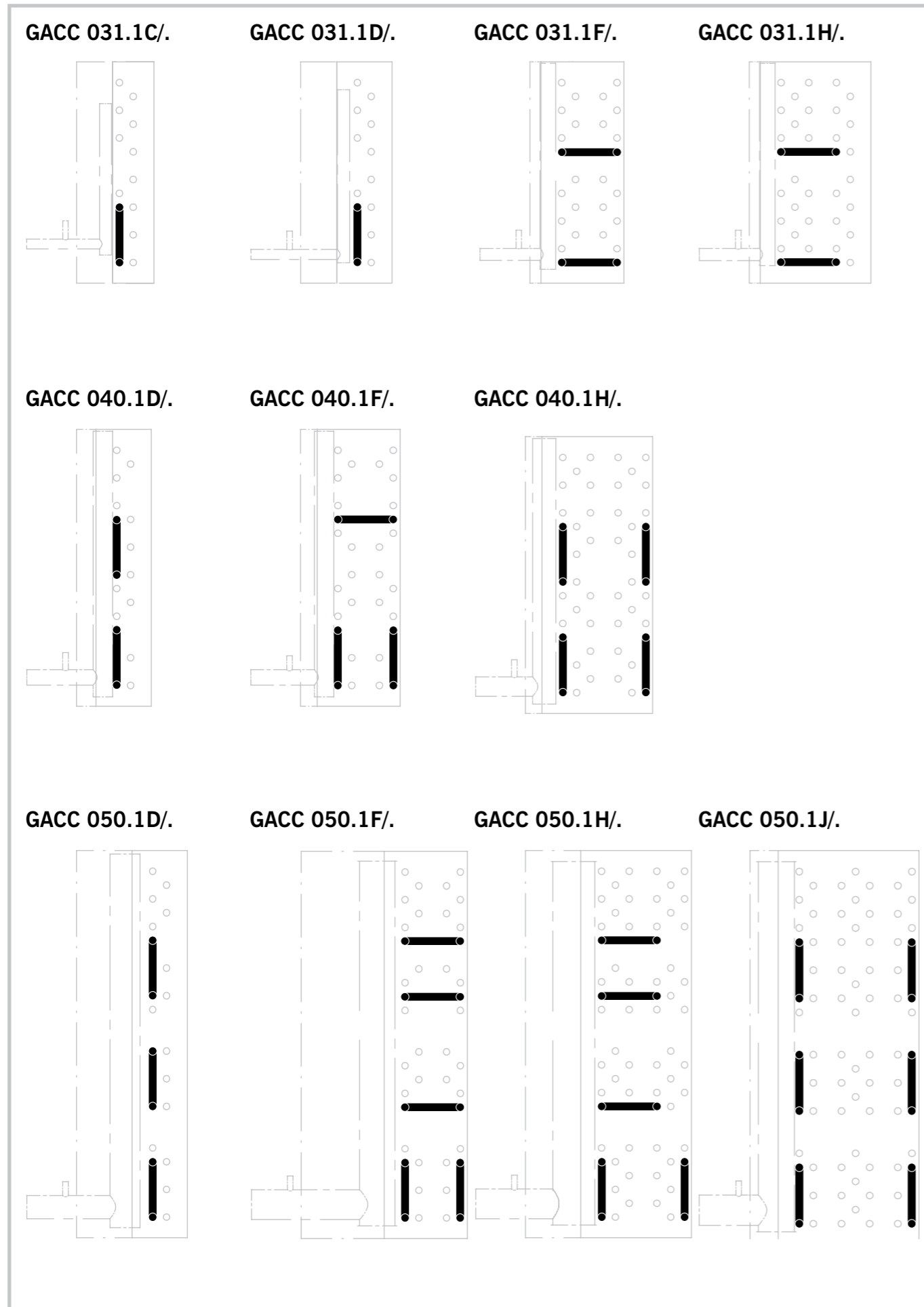
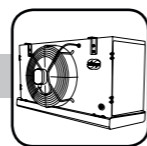
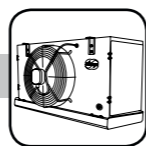
for

**CUBIC / Compact**

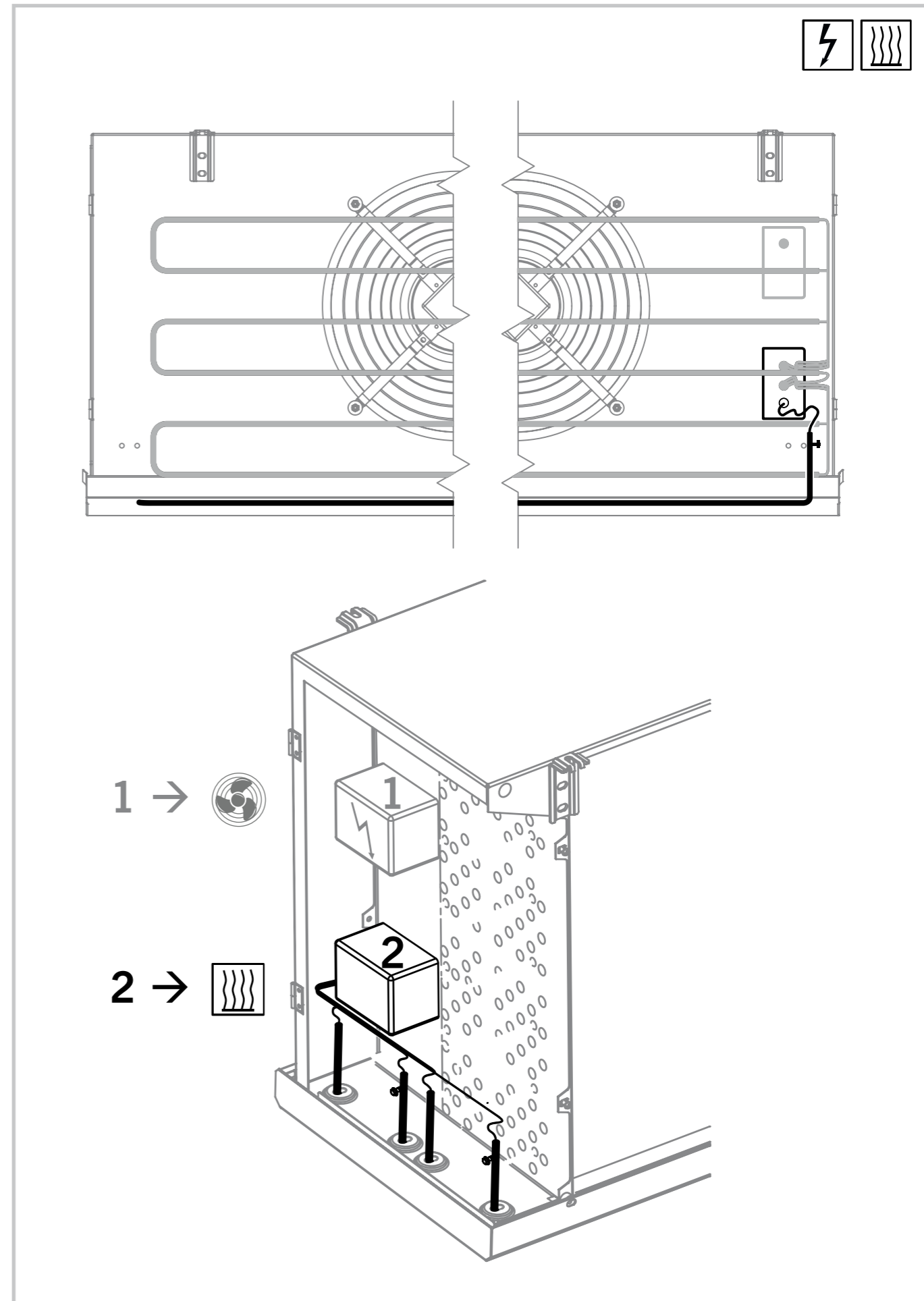
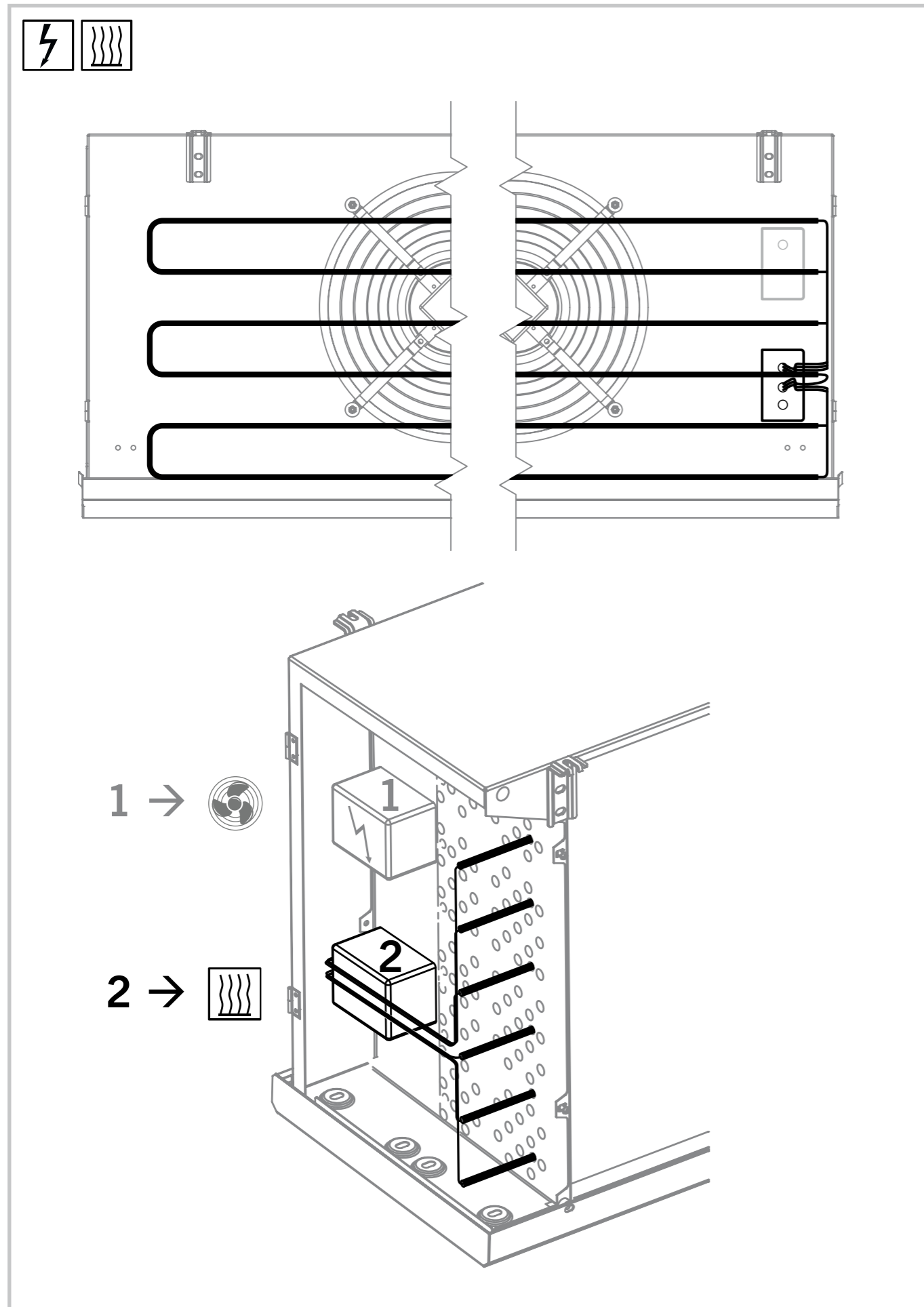
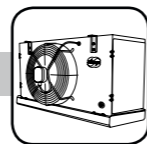
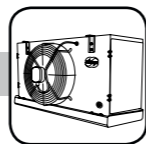
Air cooler

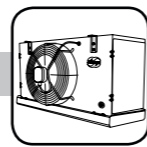
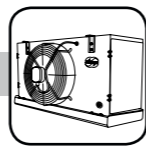












i				
GACC 031/1 	1	1	230 V, 1 ~ + N + PE	0,97
	2			1,44
GACC 031/2 	1	1	230 V, 1 ~ + N + PE	1,71
	2			2,57
GACC 031/3 	1	1	230 V, 1 ~ + N + PE 400 V, 3 ~ + N + PE	2,45
	2			3,7
GACC 031/4 	2	1	400 V, 3 ~ + N + PE	5,55
GACC 040/1 	2	1	230 V, 1 ~ + N + PE	1,78
	3			2,32
	4			2,86
GACC 040/2 	2	1	400 V, 3 ~ + N + PE	3,7
	3			4,85
	4			6,2
GACC 040/3 	3	1	400 V, 3 ~ + N + PE	6,5
	4			8,1
GACC 040/4 	3	1	400 V, 3 ~ + N + PE	9,1
	4			11,4
GACC 050/2 	3	2	400 V, 3 ~ + N + PE	7,65
	5			11,15
	6			12,9
GACC 050/3 	5	2	400 V, 3 ~ + N + PE 2 x 400 V, 3 ~ + N + PE	15,2
	6			17,6
GACC 050/4 	5	2	2 x 400 V, 3 ~ + N + PE	21,1
	6			24,6

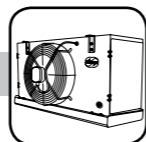
**i**

**230V 1~ +N + PE**

**230/400V +N + PE**

**400V 3~ +N + PE**

**400V 3~ + PE**



GACC 031/1 	1 2	1	BG351035-00001 BG351035-00002
GACC 031/2 	1 2	1	BG351035-00006 BG351035-00007
GACC 031/3 	1 2	1	BG351035-00008 BG351035-00009
GACC 031/4 	2	1	BG351035-00013
GACC 040/1 	2	1	BG351035-00003
	3		BG351035-00004
	4		BG351035-00005
GACC 040/2 	2	1	BG351035-00010
	3		BG351035-00011
	4		BG351035-00012
GACC 040/3 	3	1	BG351035-00017
	4		BG351035-00018
GACC 040/4 	3	1	BG351035-00019
	4		BG351035-00020
GACC 050/2 	3	2	BG351035-00014
	5		BG351035-00015
	6		BG351035-00016
GACC 050/3 	5	2	BG351035-00021
	6		BG351035-00022
GACC 050/4 	5	2	BG351035-00023
	6		BG351035-00024

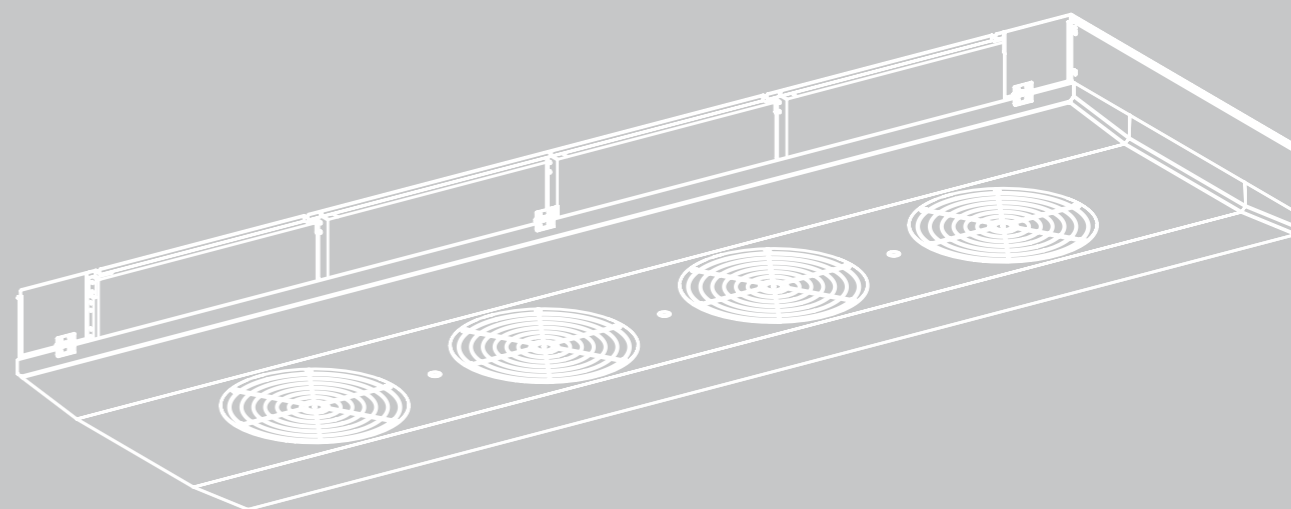
Heating Set

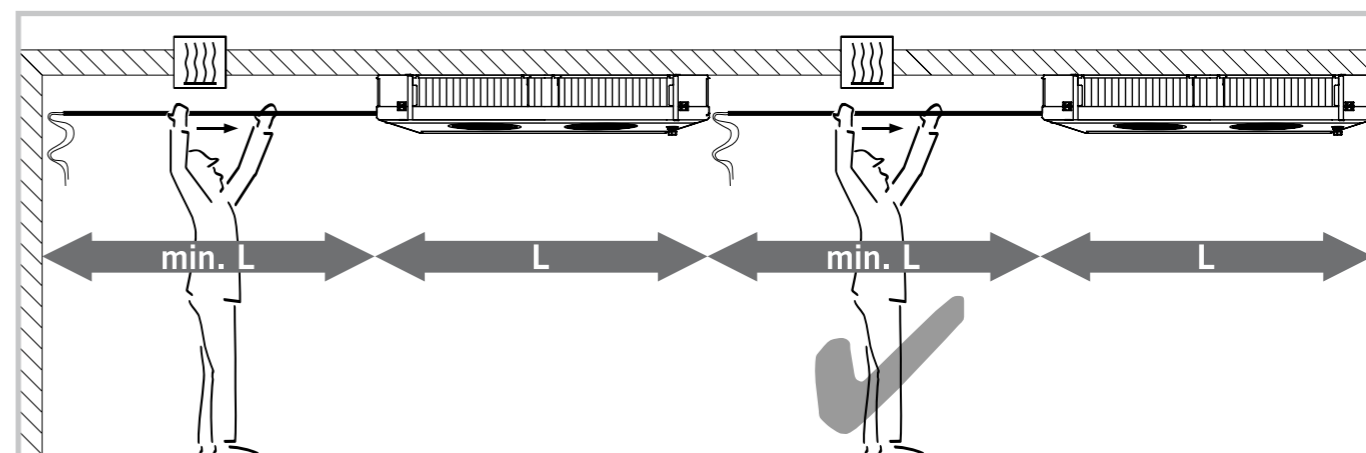
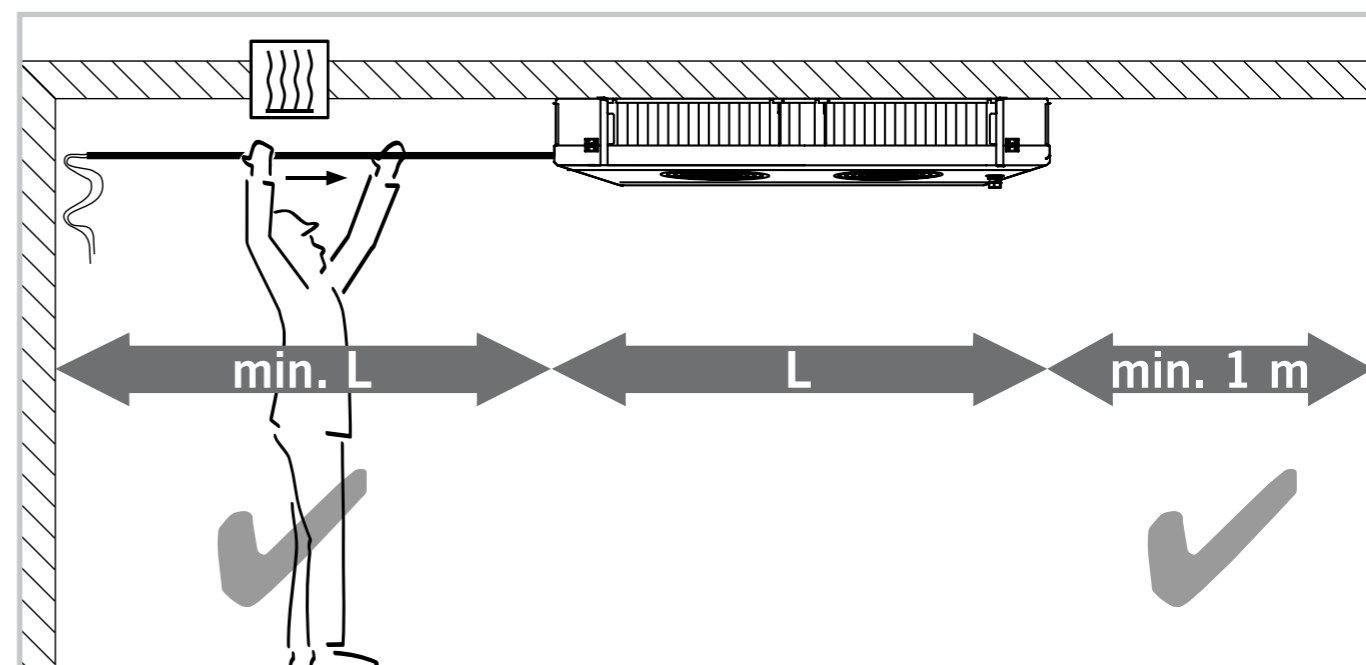
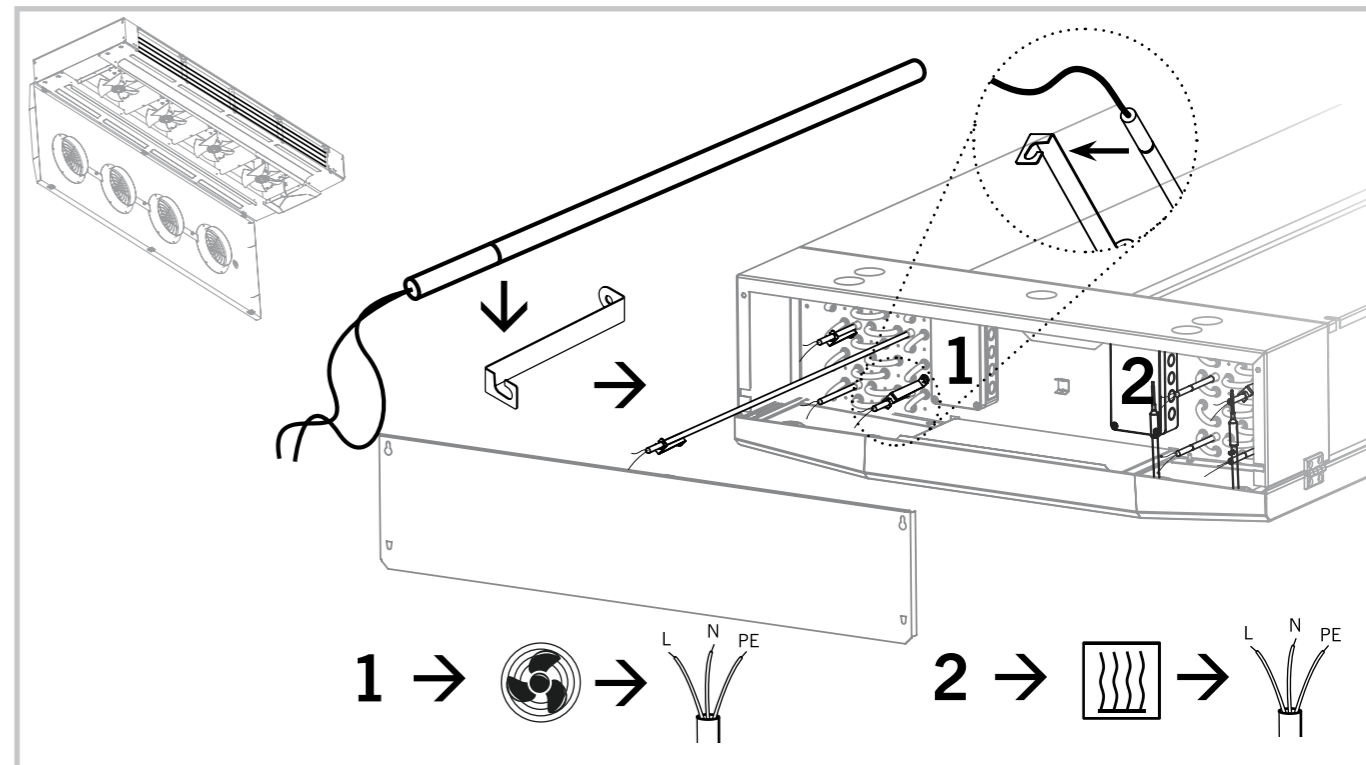
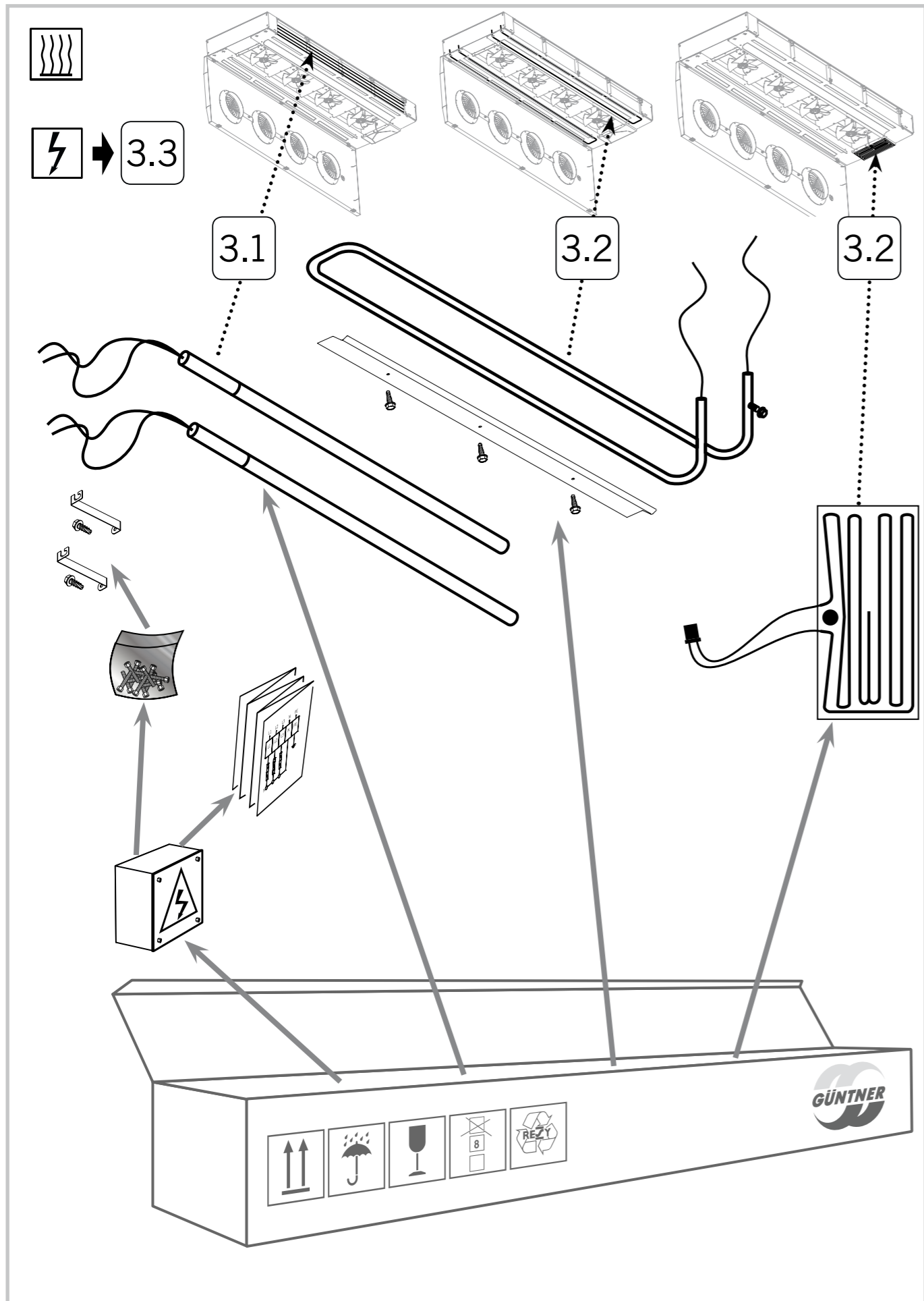
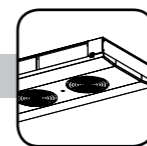
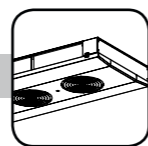


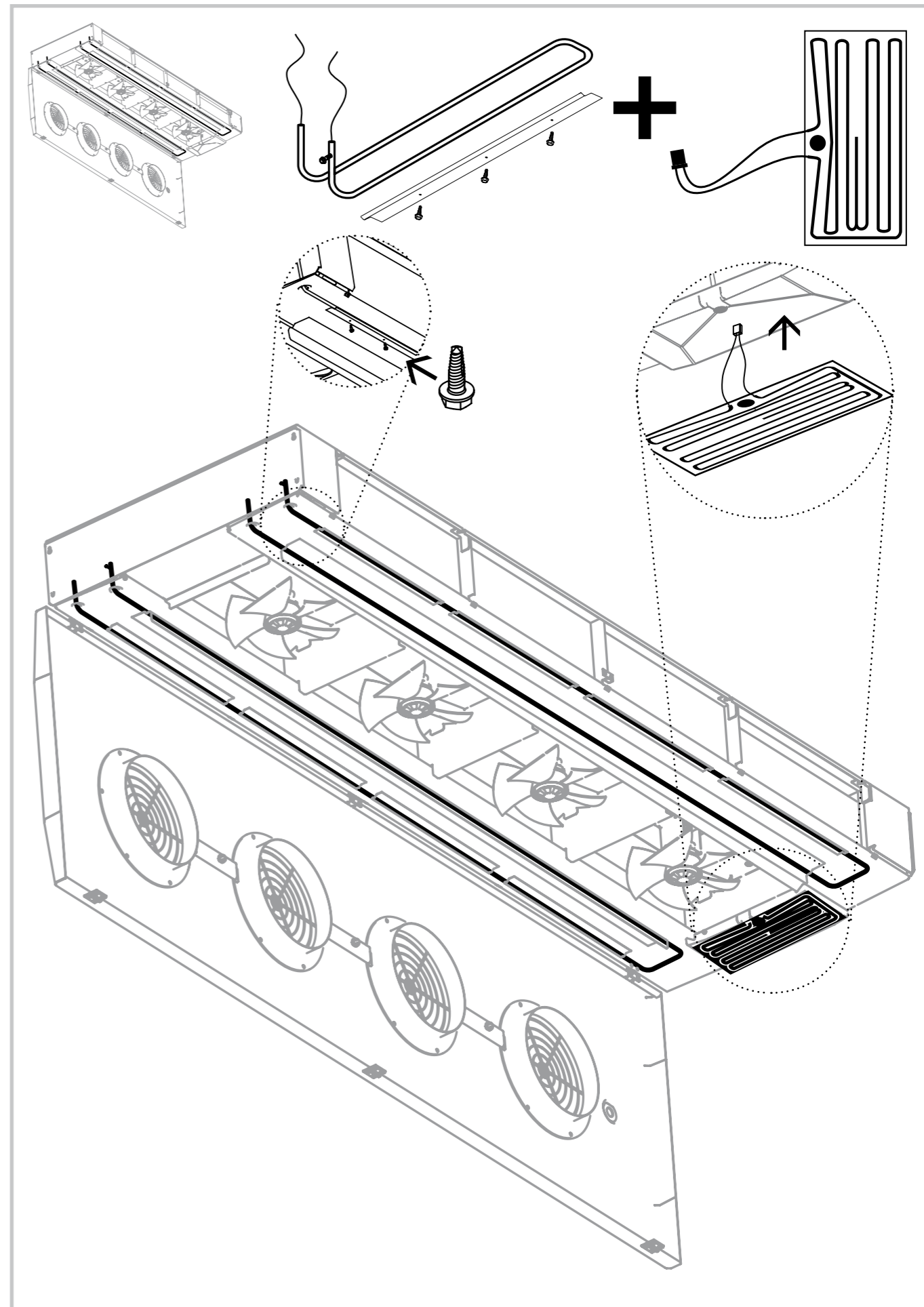
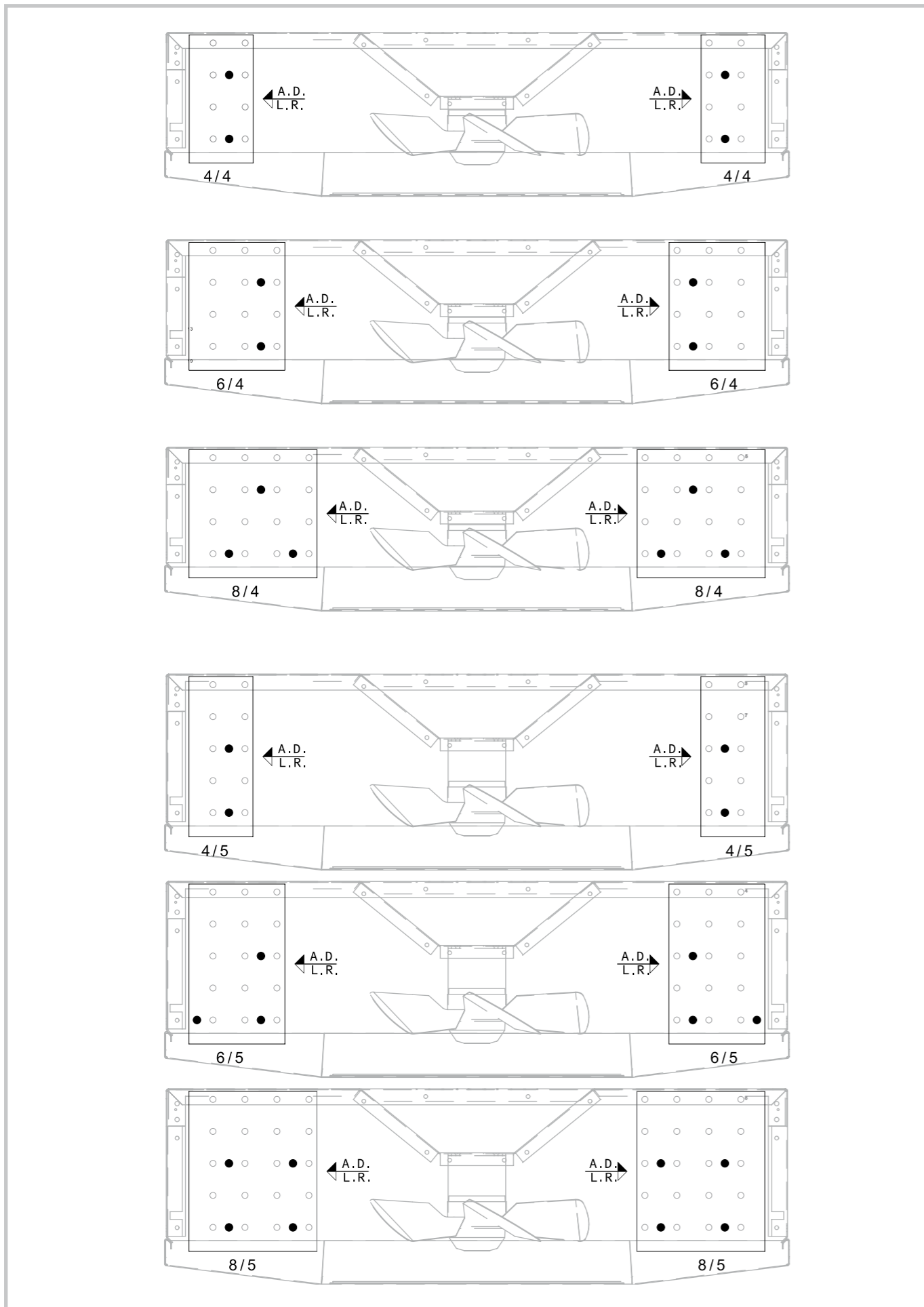
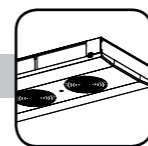
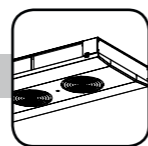
for

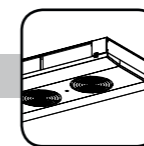
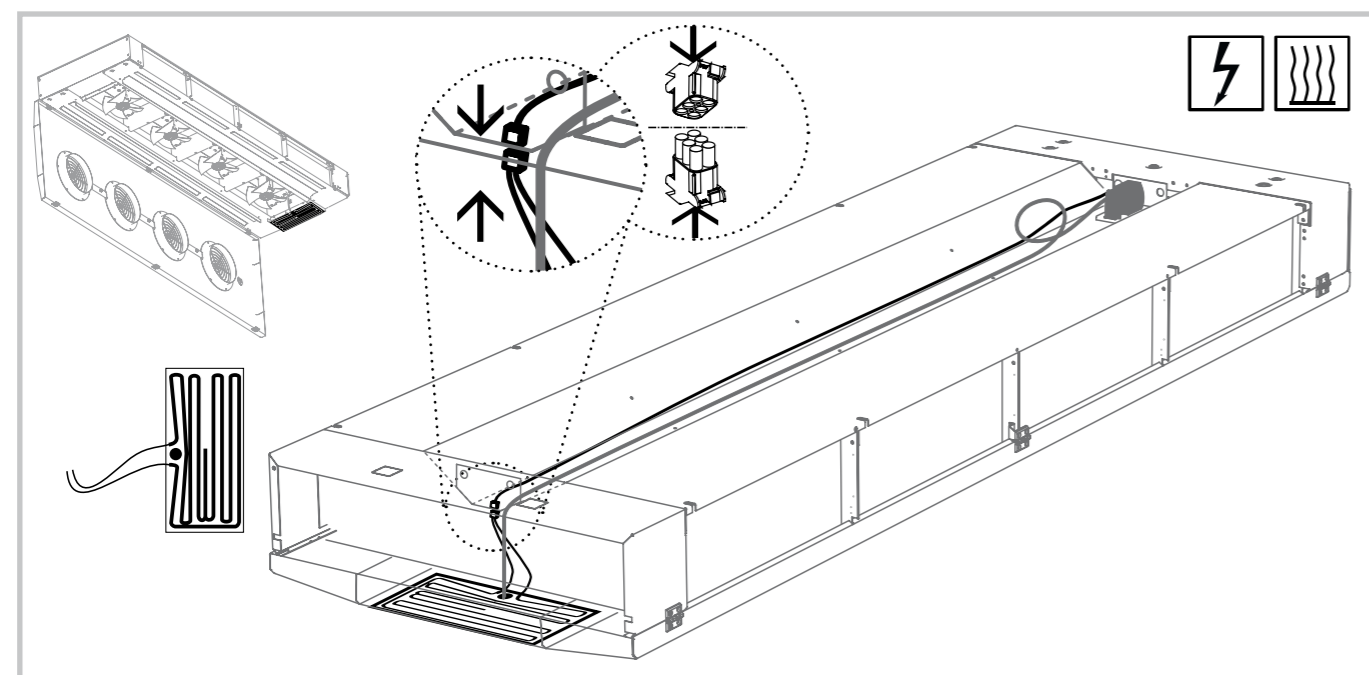
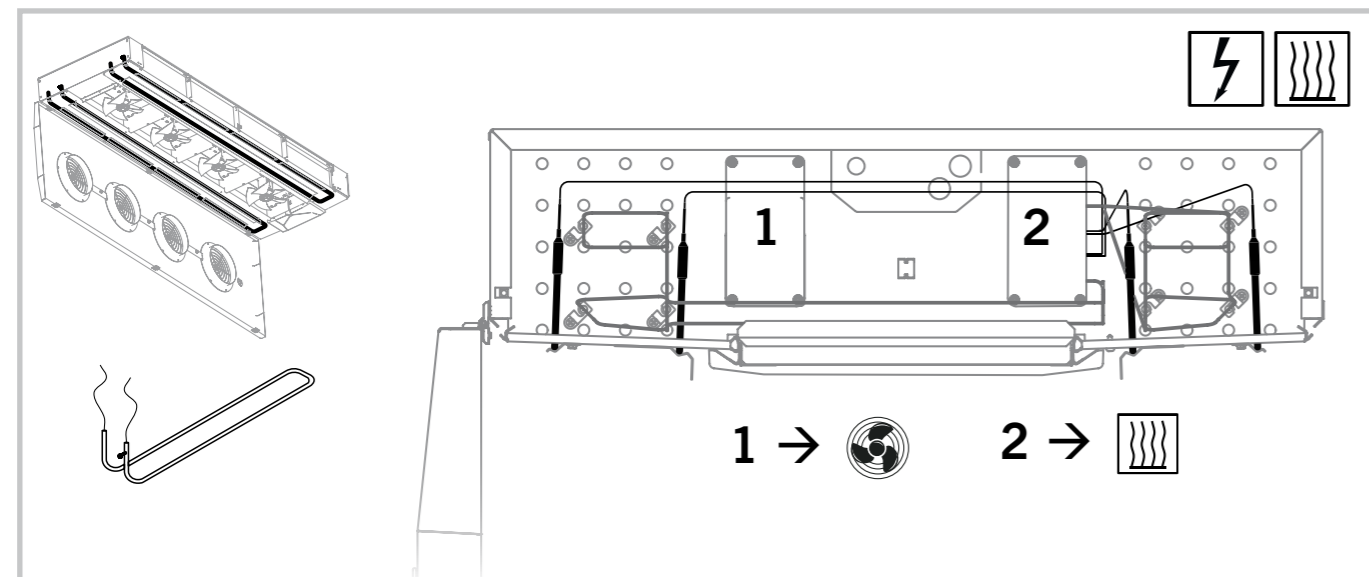
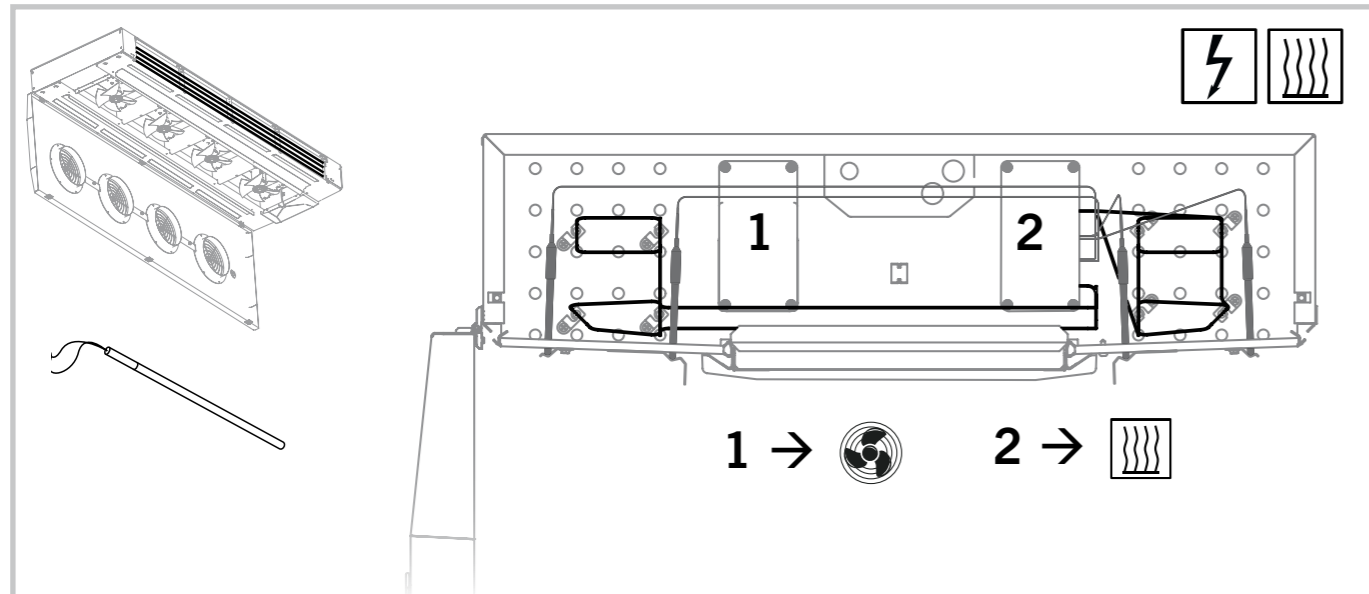
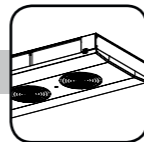
**DUAL / Compact**

Air cooler

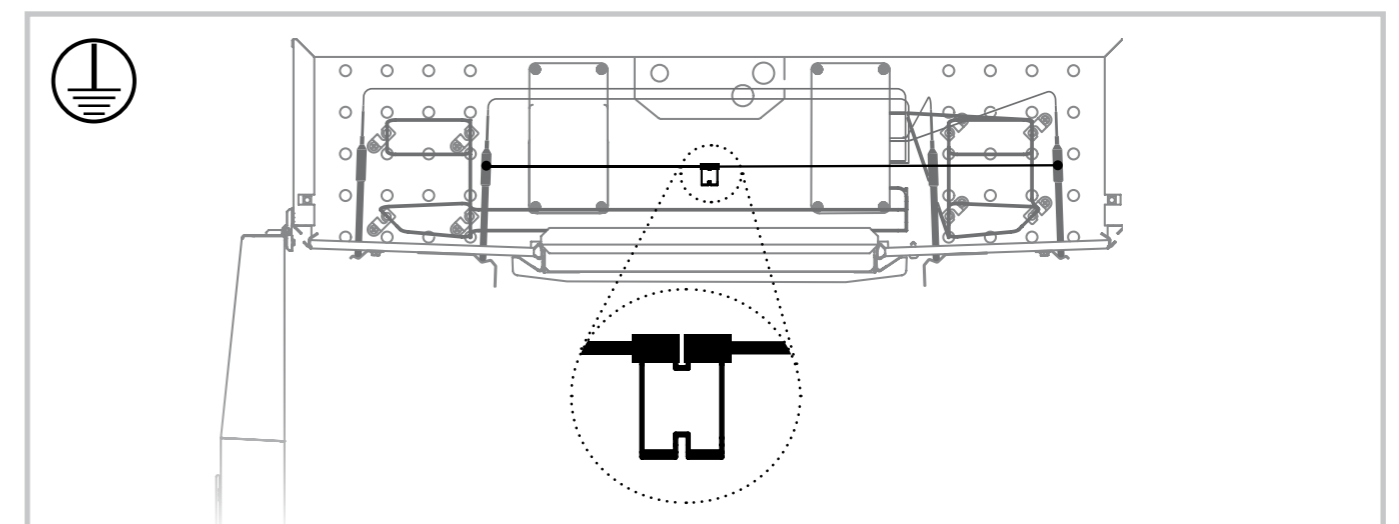


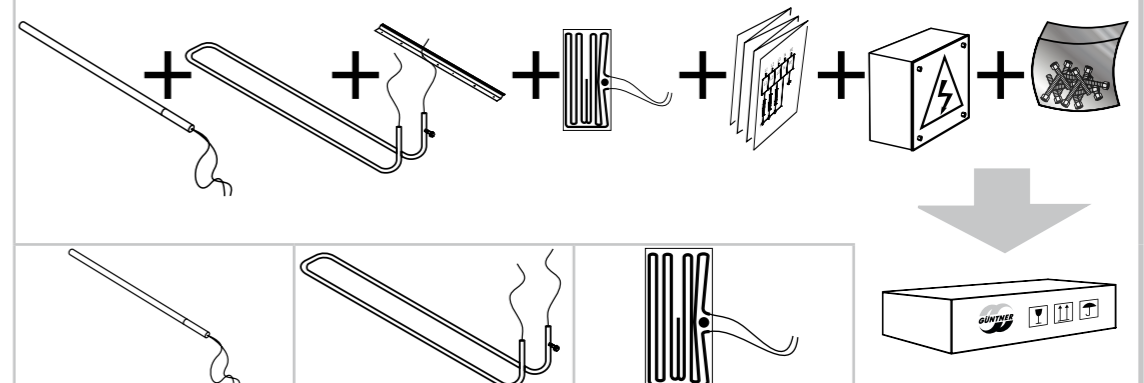
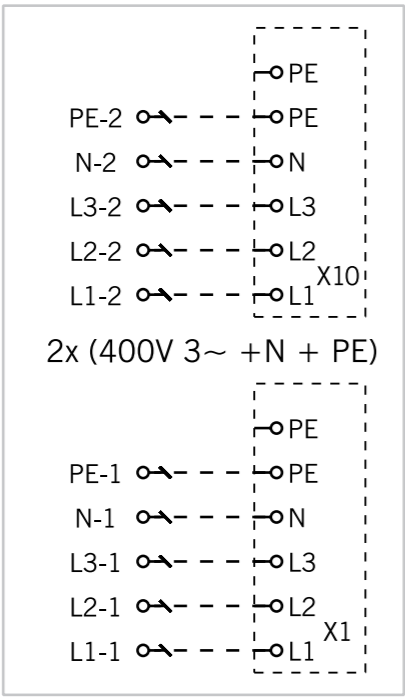
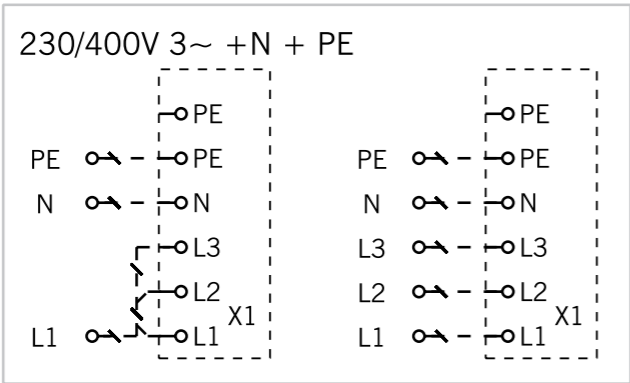
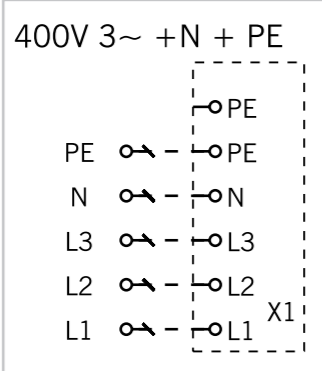
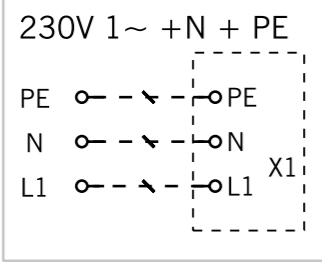
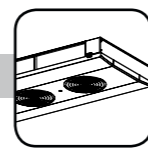




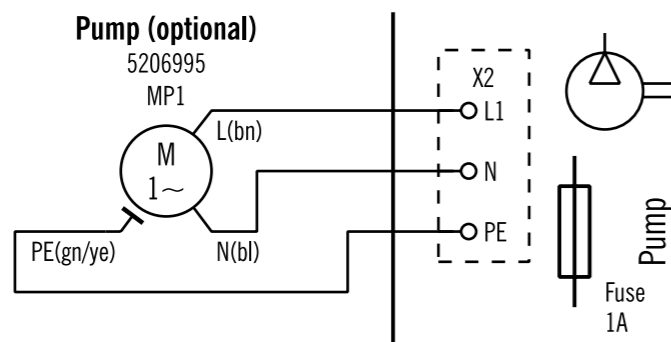
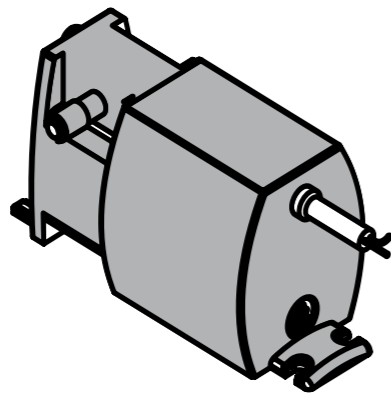


i				U [V]	P [kW] total
 				230 V 1~ + N + PE	2,2
 				230/400 V + N + PE	2,8
				230/400 V + N + PE	3,3
				230/400 V + N + PE	4,0
 				400 V 3~ + N + PE	5,1
				400 V 3~ + N + PE	6,2
				400 V 3~ + N + PE	6,0
 				400 V 3~ + N + PE	7,7
				(2x) 400 V 3~ + N + PE	9,2
				400 V 3~ + N + PE	7,5
 				(2x) 400 V 3~ + N + PE	9,61
				(2x) 400 V 3~ + N + PE	11,8
				(2x) 400 V 3~ + N + PE	





GADC 035/ 1 	4	2	1	AY7.002380
	6	2	1	AY7.002384
	8	2	1	AY7.002388
GADC 035/ 2 	4	2	1	AY7.002381
	6	2	1	AY7.002385
	8	2	1	AY7.002389
GADC 035/ 3 	4	2	1	AY7.002382
	6	2	1	AY7.002386
	8	2	1	AY7.002390
GADC 035/ 4 	4	2	1	AY7.002383
	6	2	1	AY7.002387
	8	2	1	AY7.002391



# GÜNTNER APP

DOWNLOAD NOW



Available on the iPhone  
**App Store**



ANDROID APP ON  
**Google play**



[guentner.eu/know-how/guentner-app](http://guentner.eu/know-how/guentner-app)





Scan code for manual.

Güntner GmbH & Co. KG  
Hans-Güntner-Str. 2 – 6  
82256 FÜRSTENFELDBRUCK  
GERMANY

[www.guentner.eu](http://www.guentner.eu)

Members of Güntner Group

