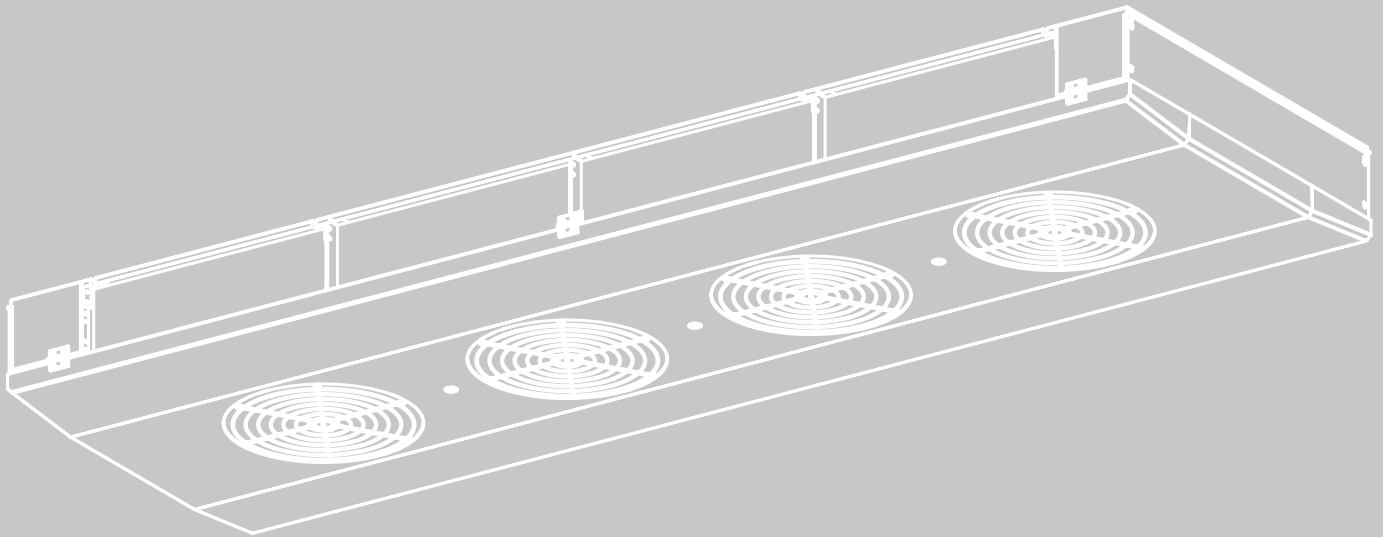


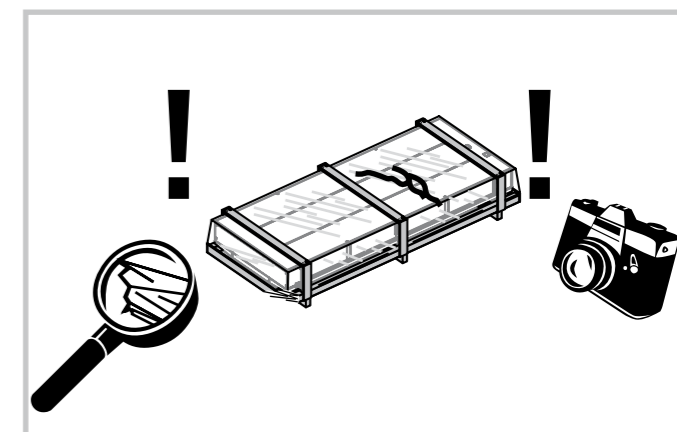
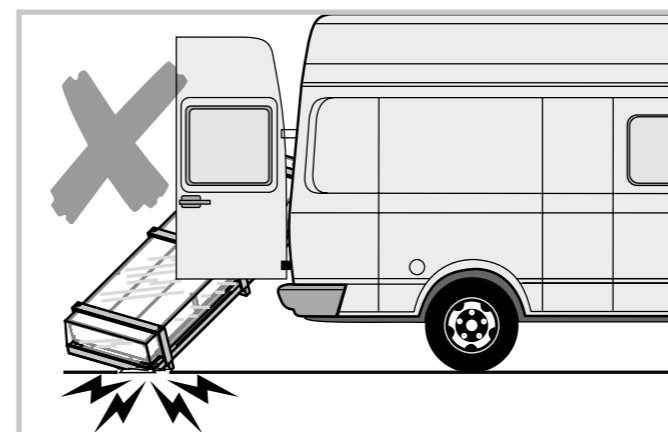
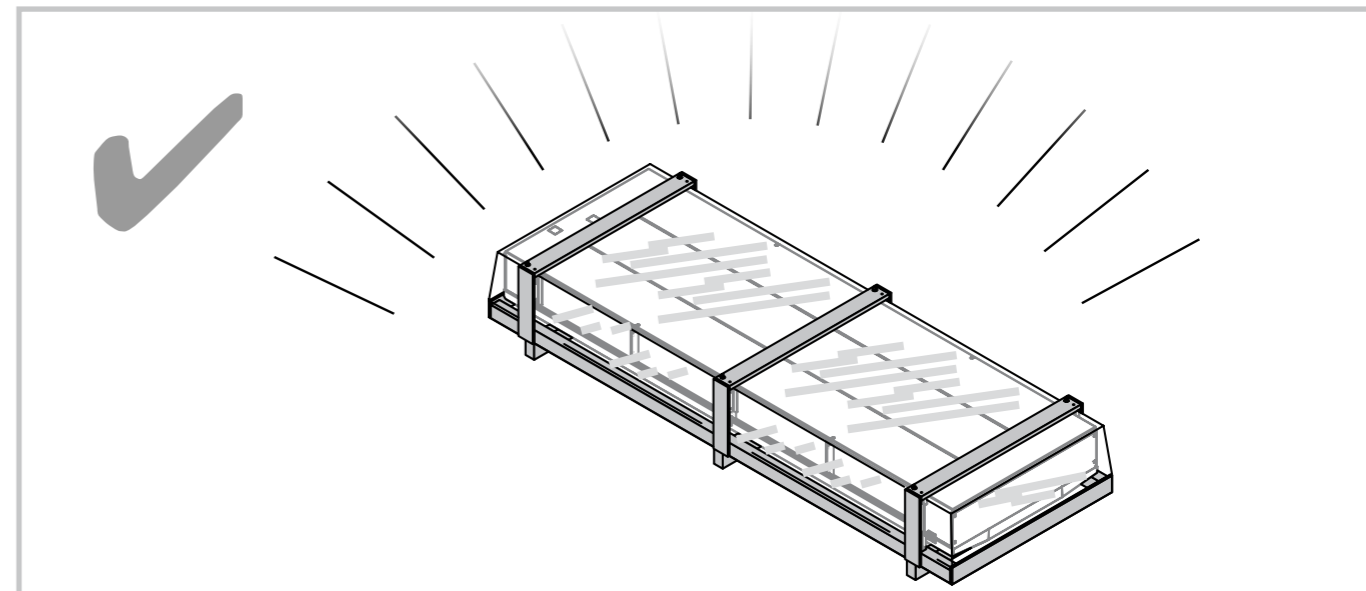
DUAL / Compact







Air cooler

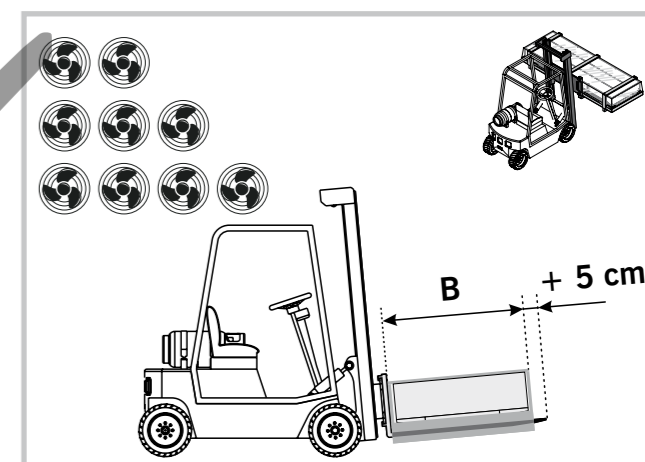
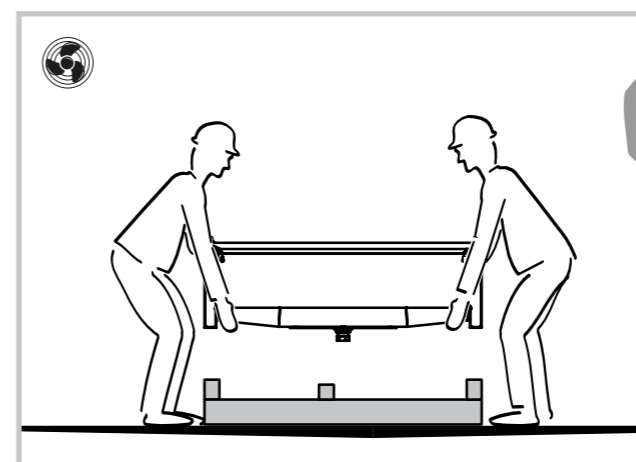


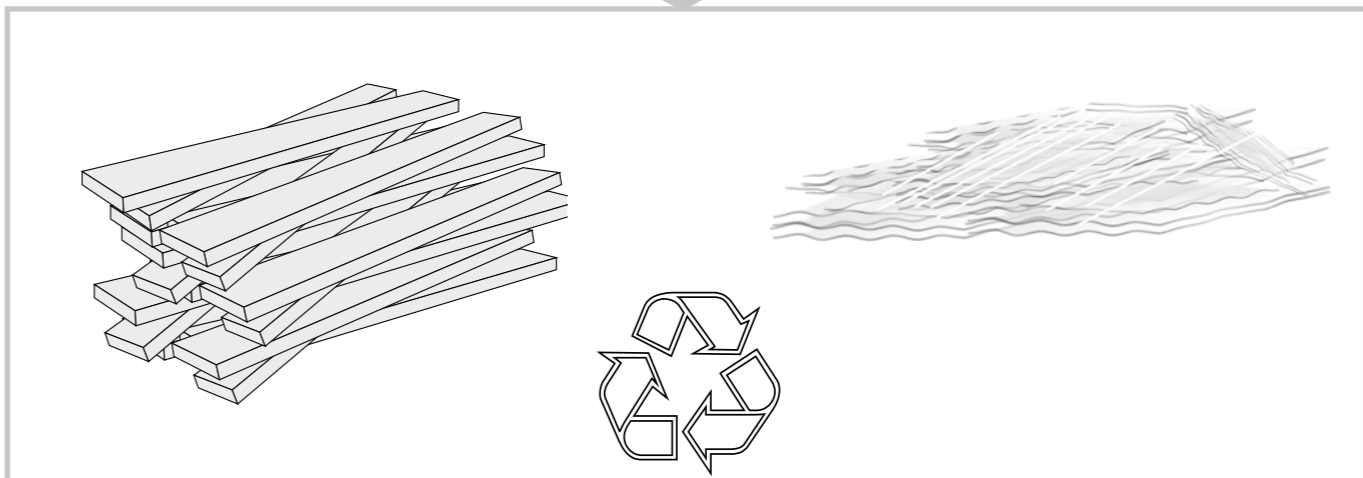
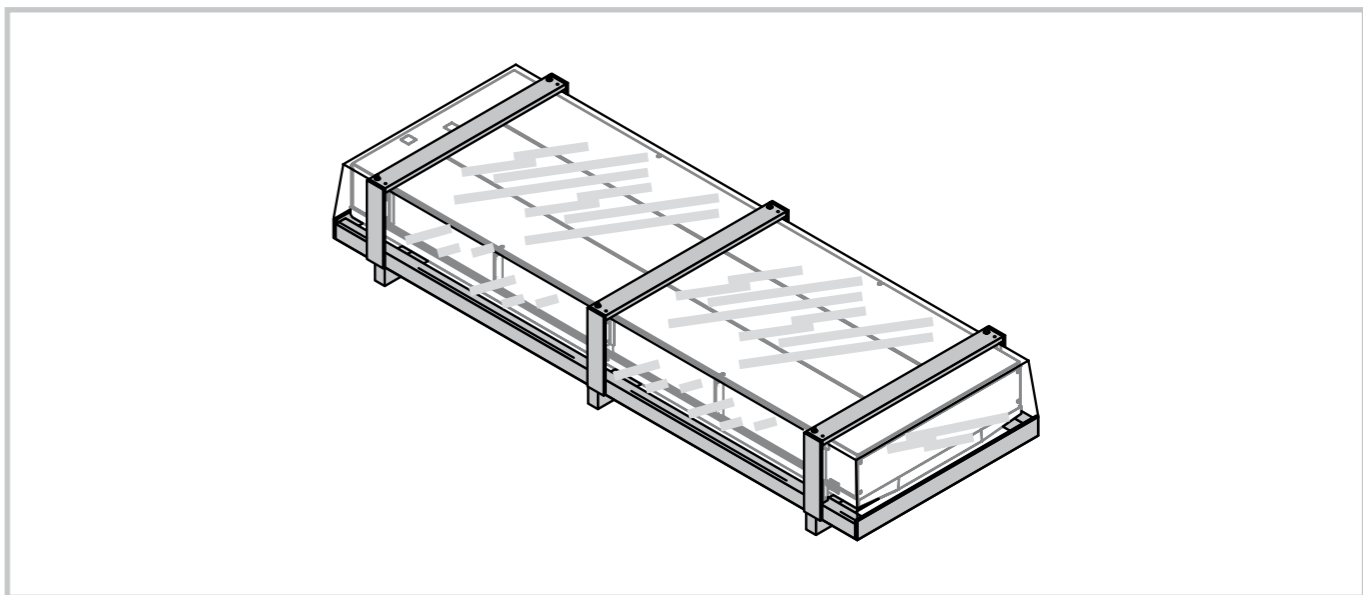
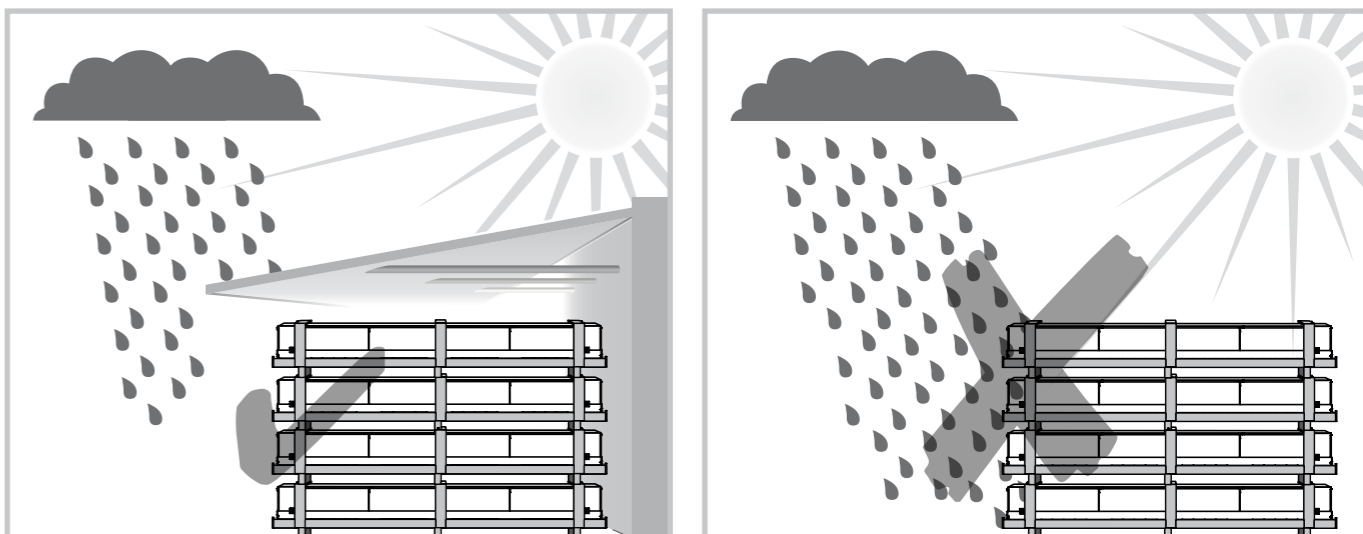
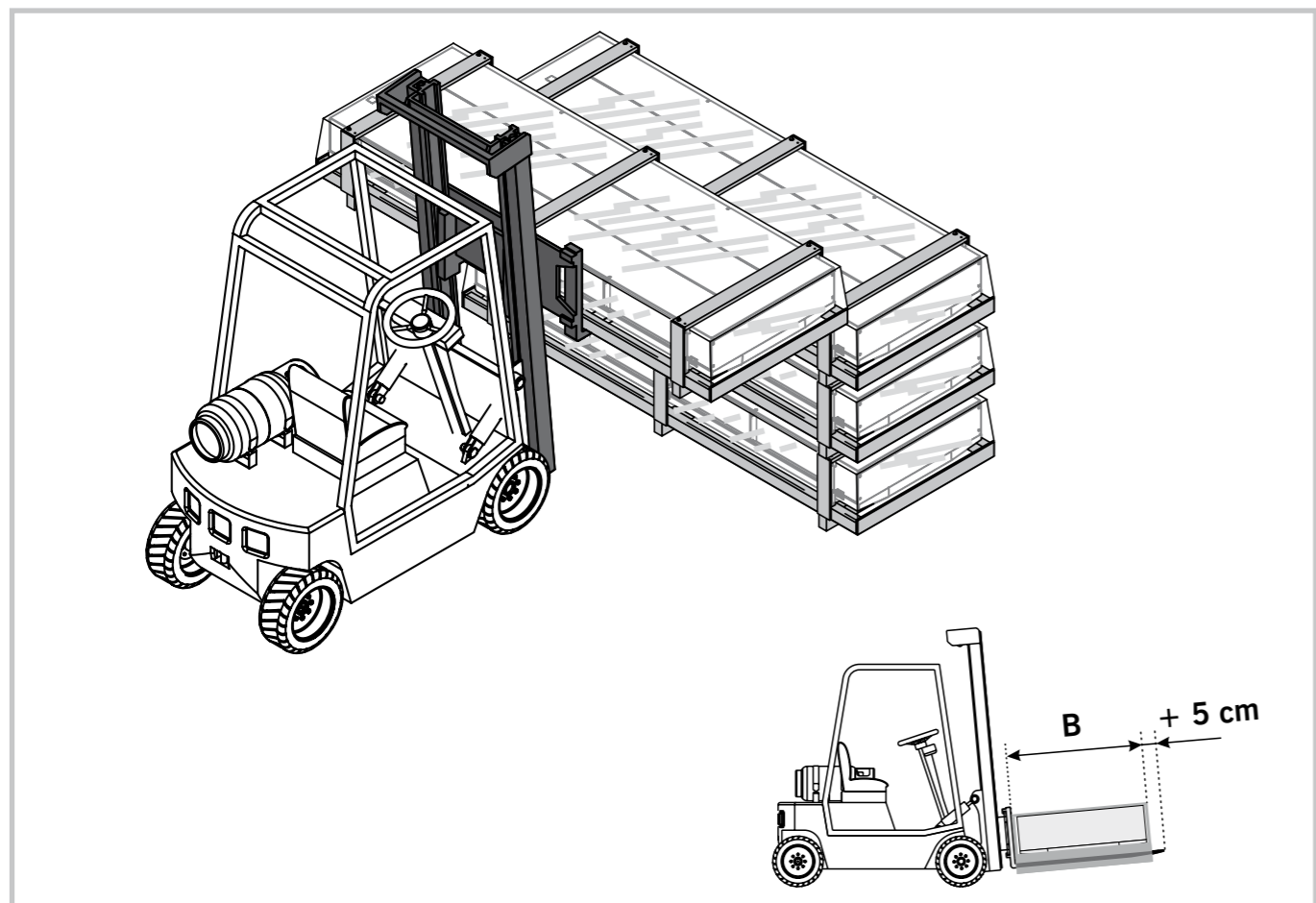
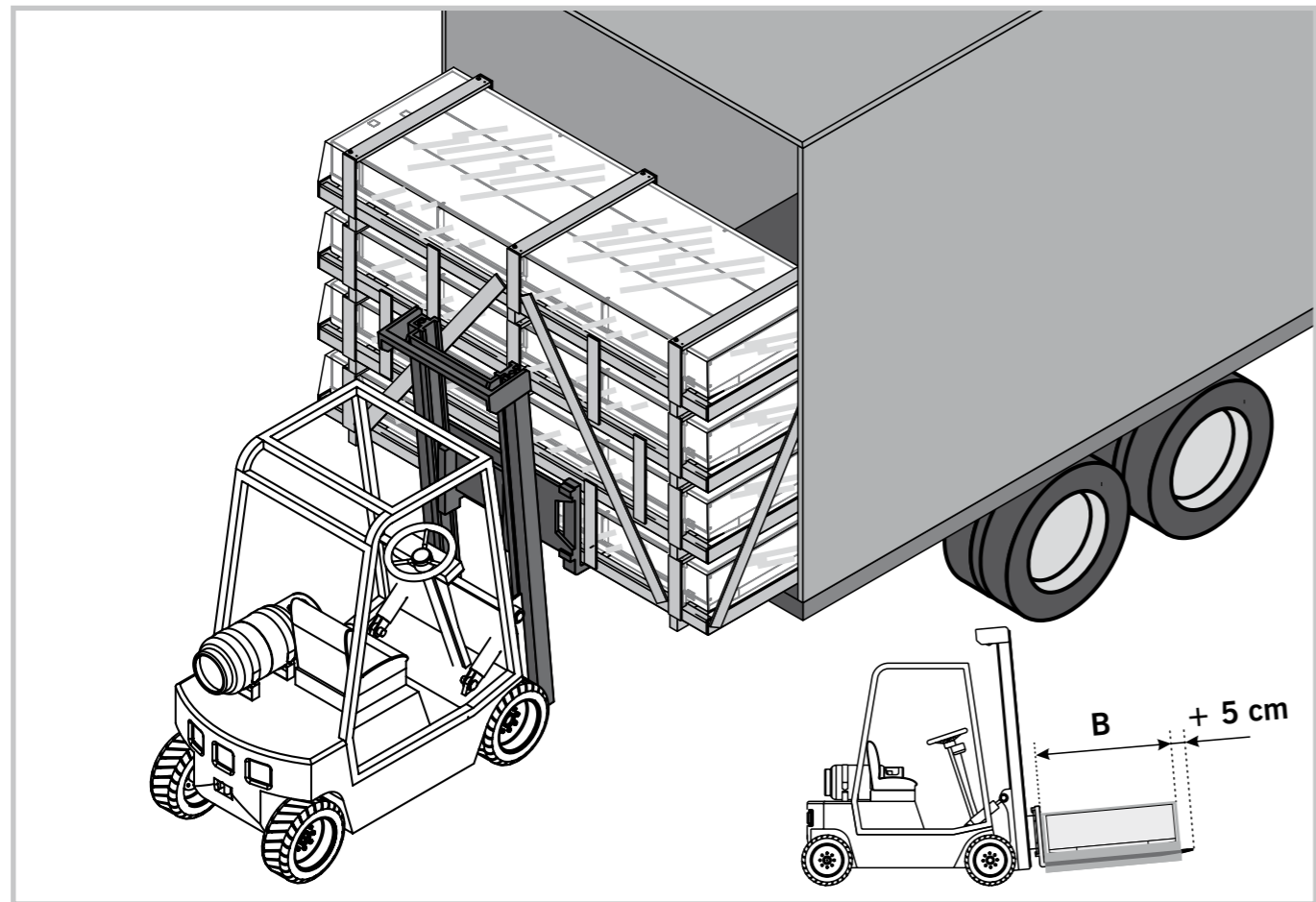


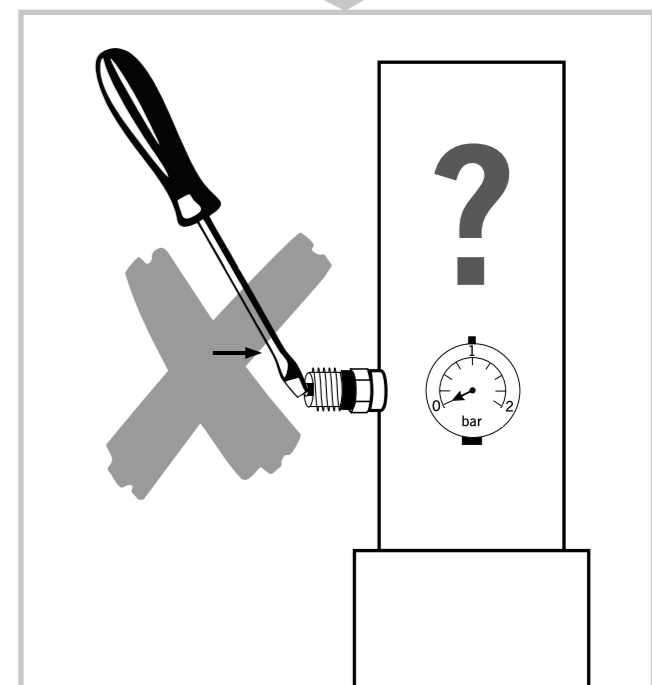
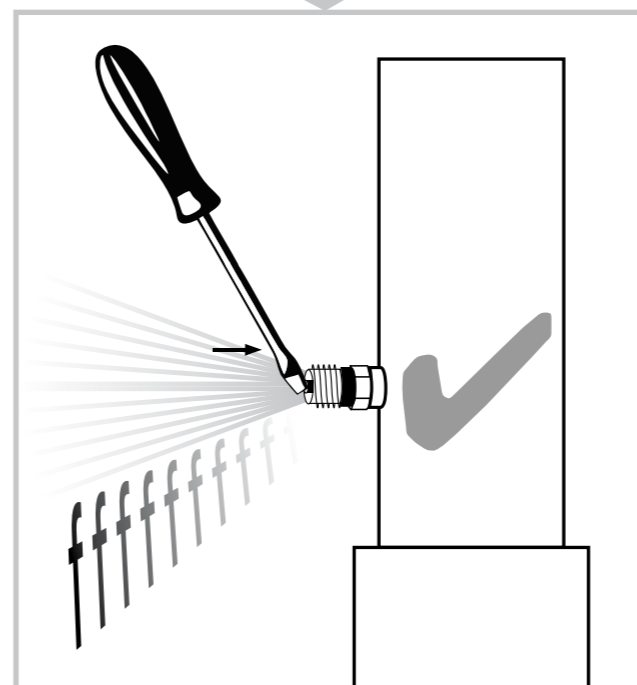
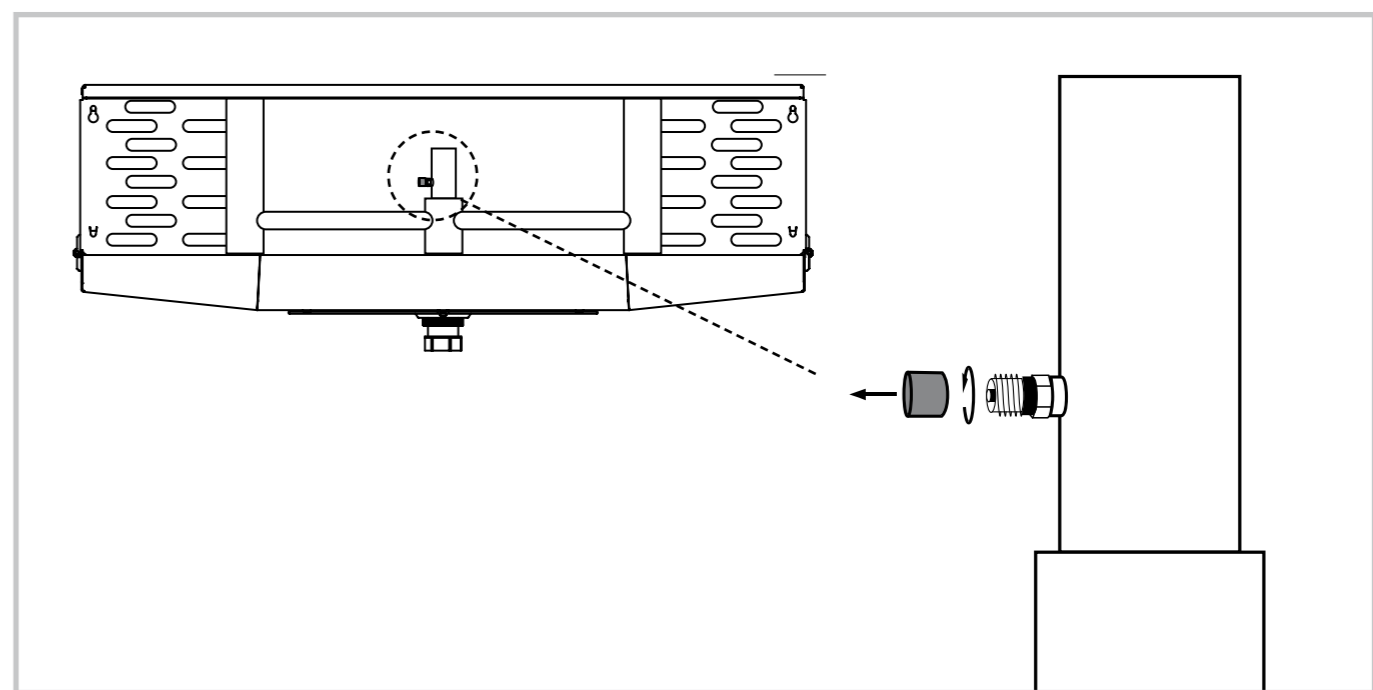
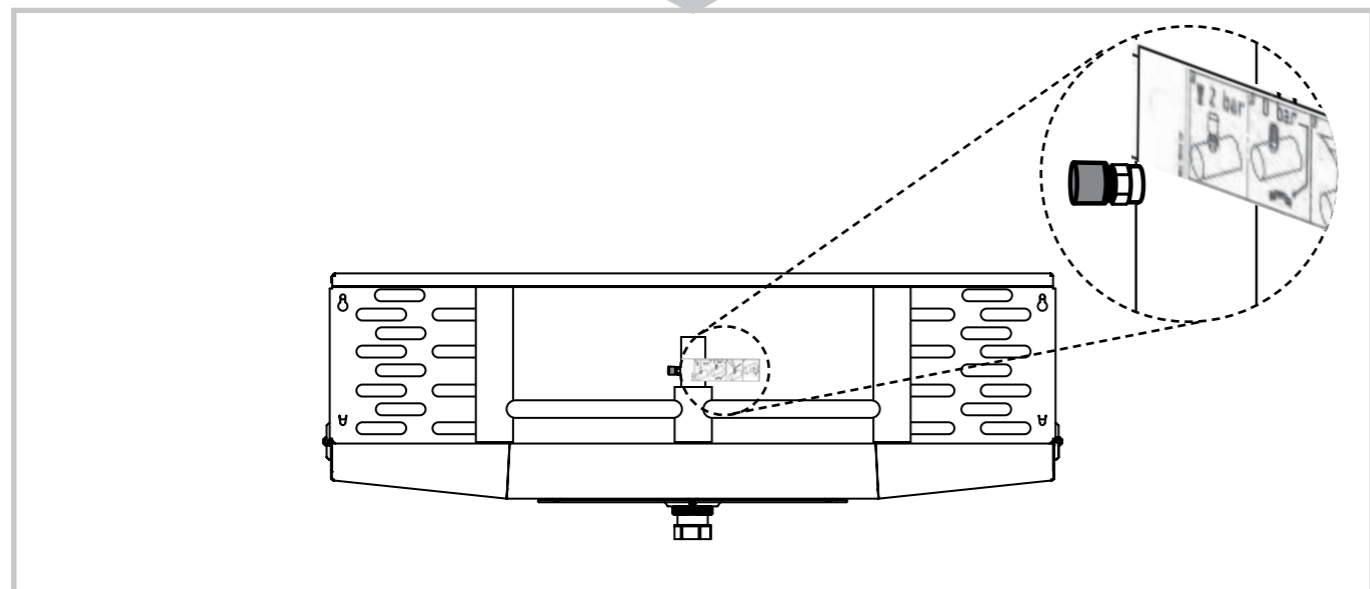
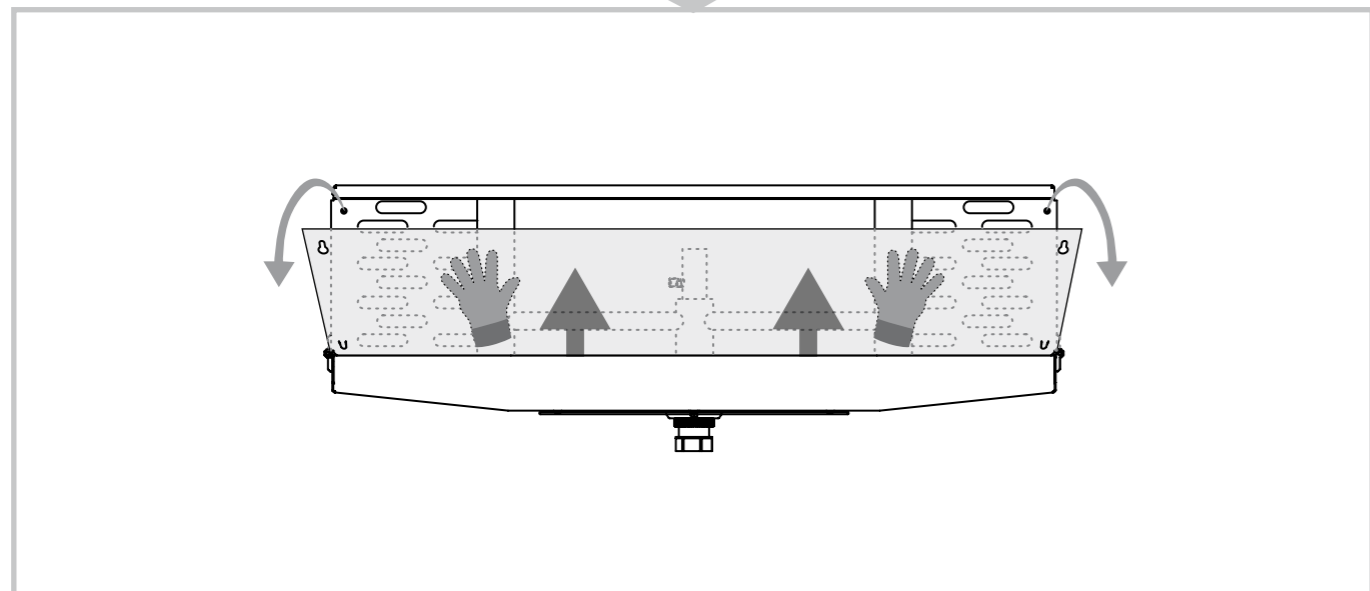
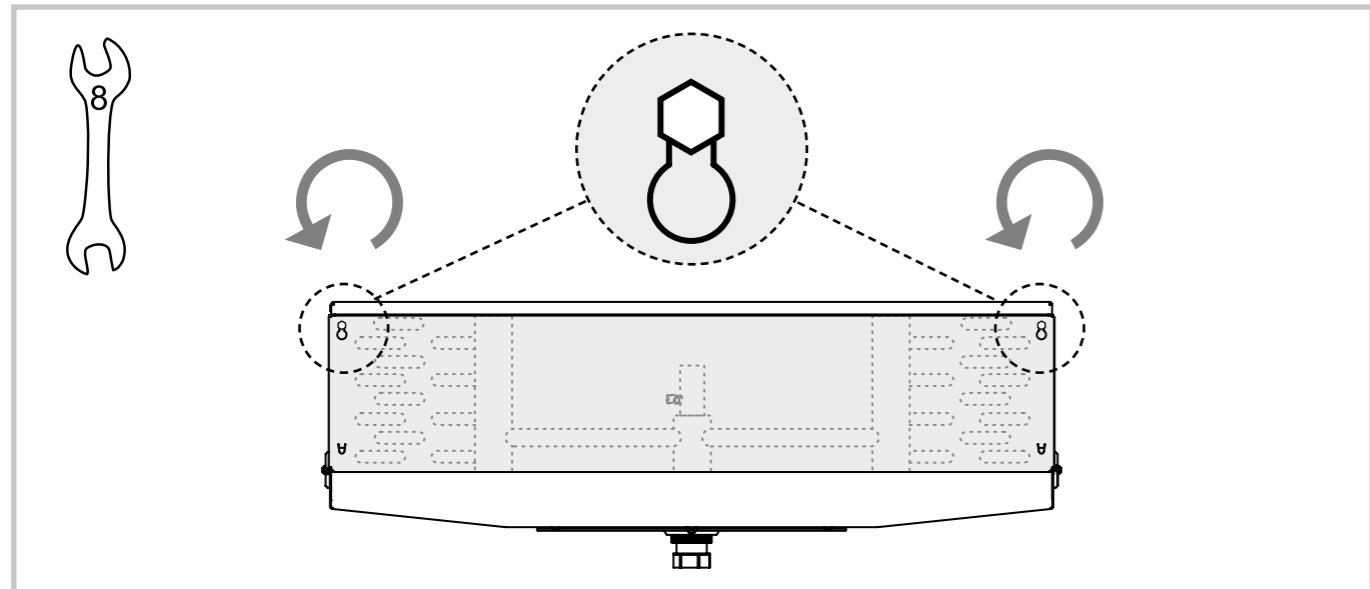
Scan code for manual.









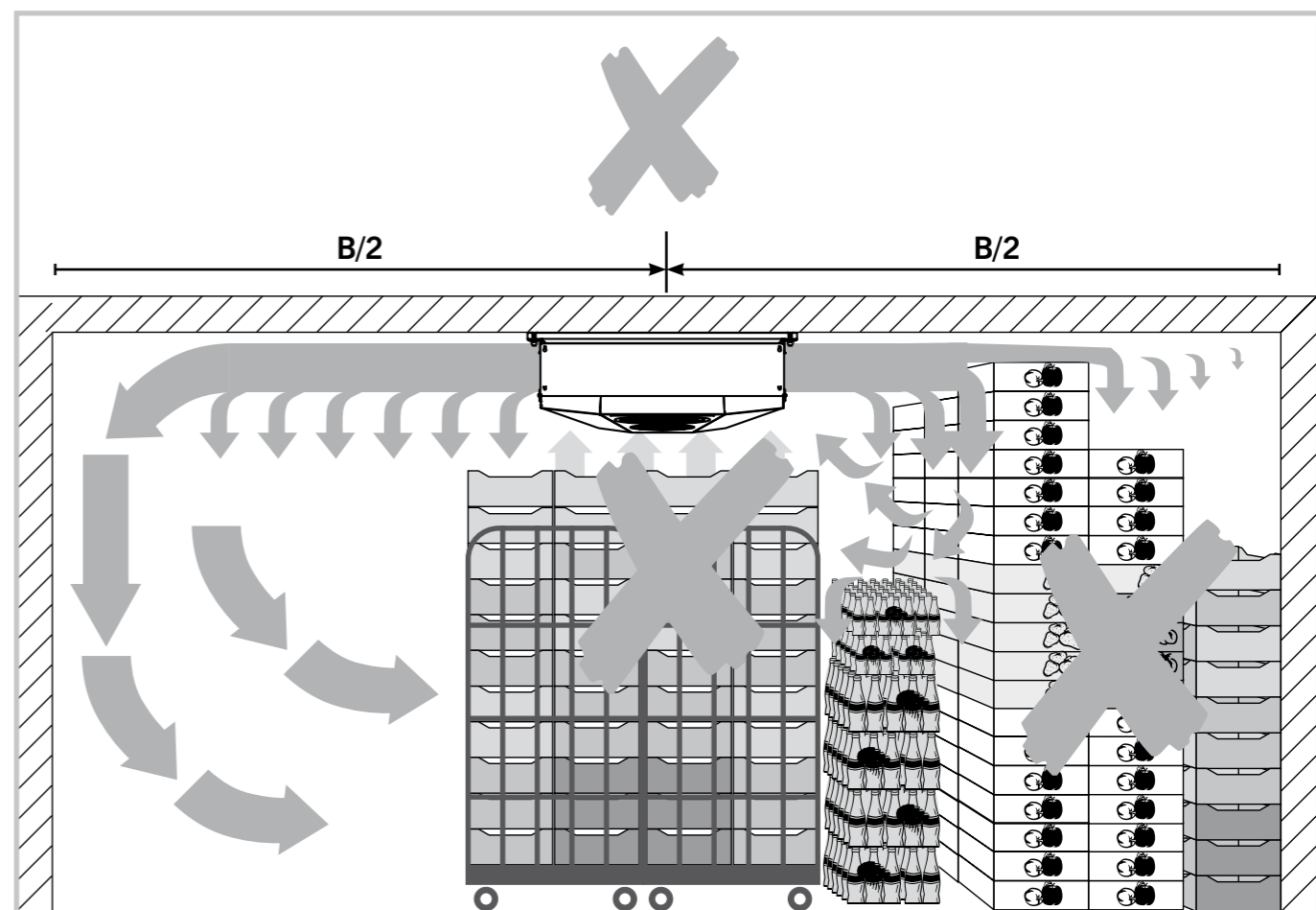
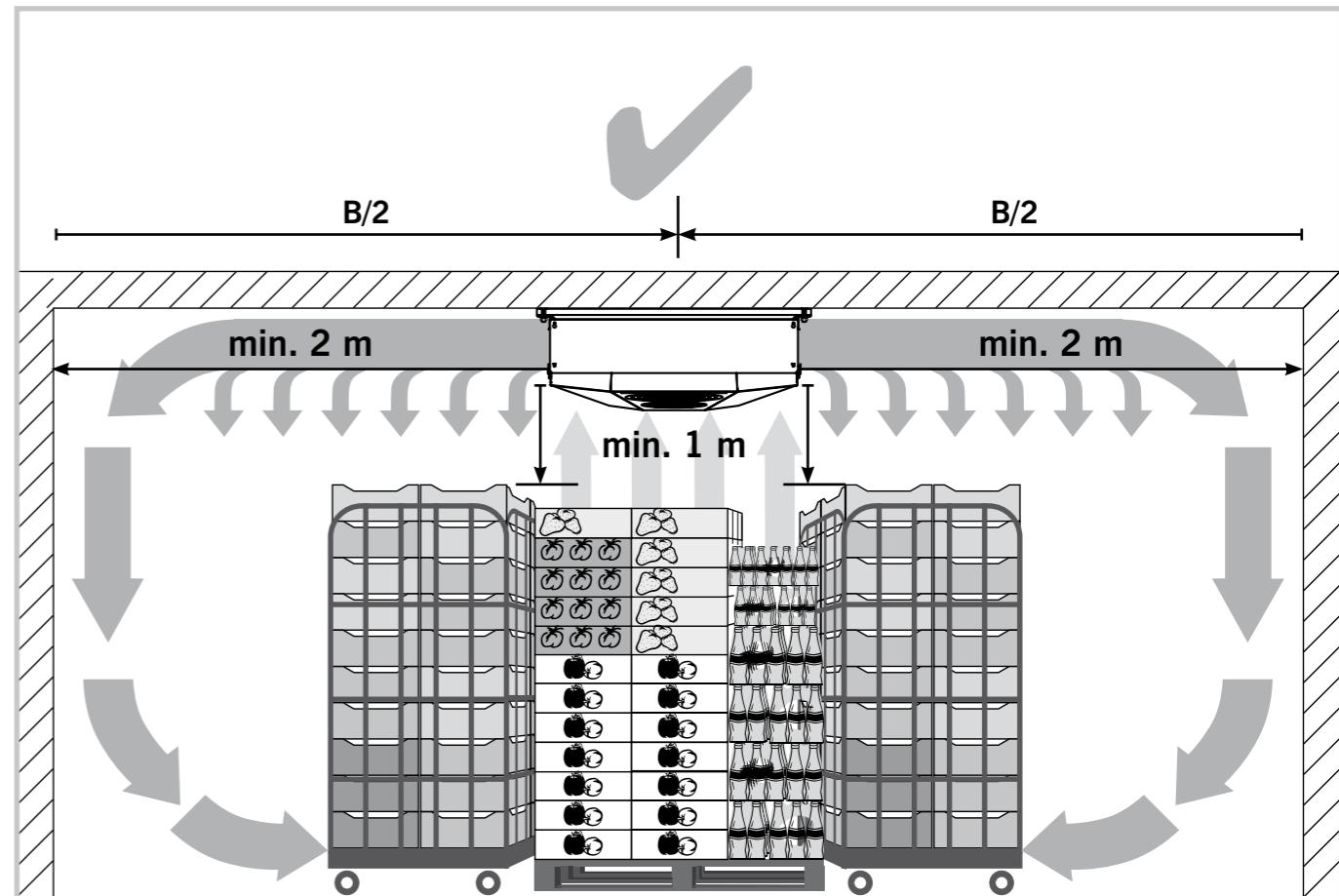
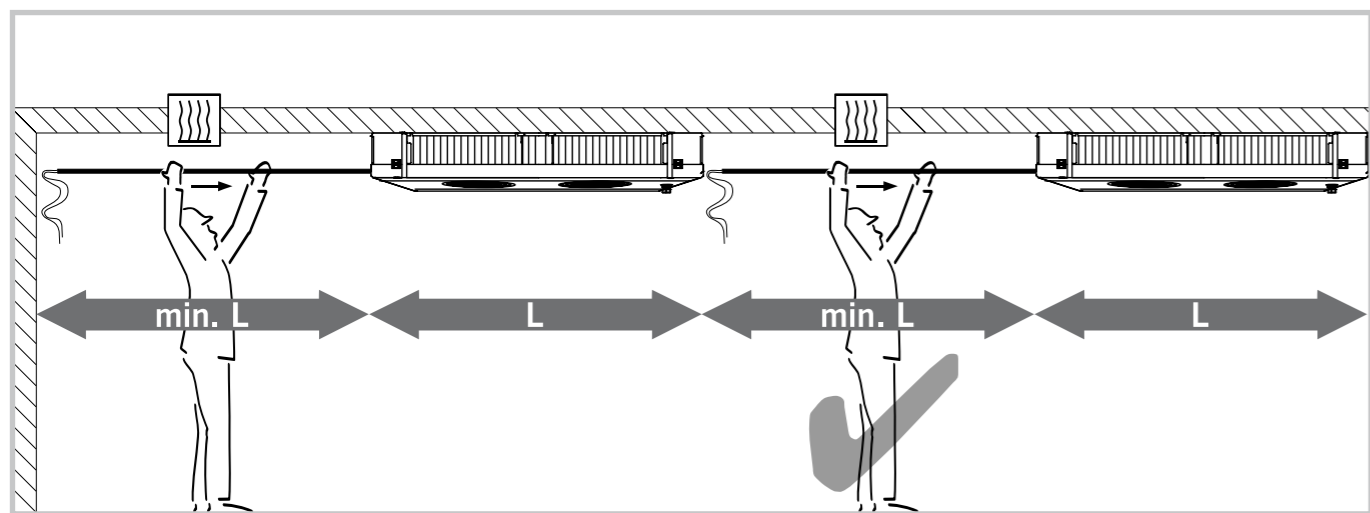
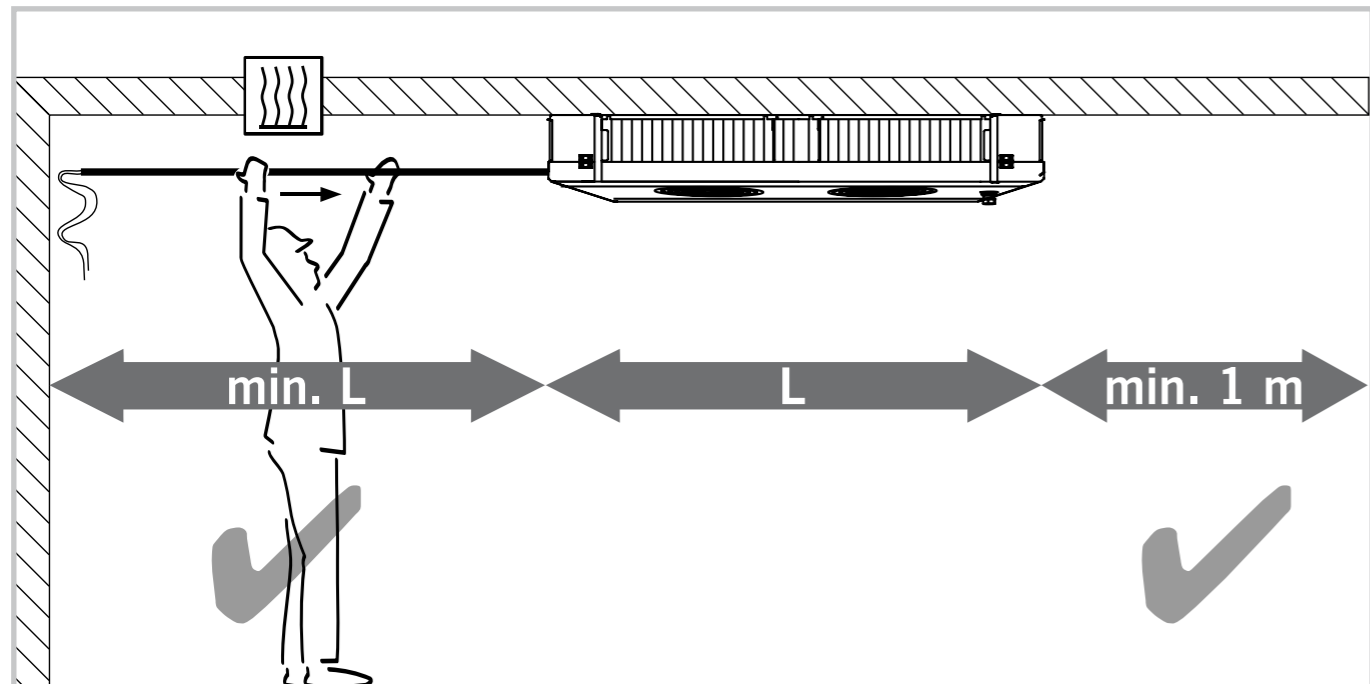
<p>Asia - Pacific www.guentner.asia</p> <p>  </p>	<p>Europe/America/Africa www.guentner.com</p> <p> shippingDE@guentner.com</p> <p> +49 8141 242 - 4815</p> <p> +49 8141 242 - 422</p>
---	--

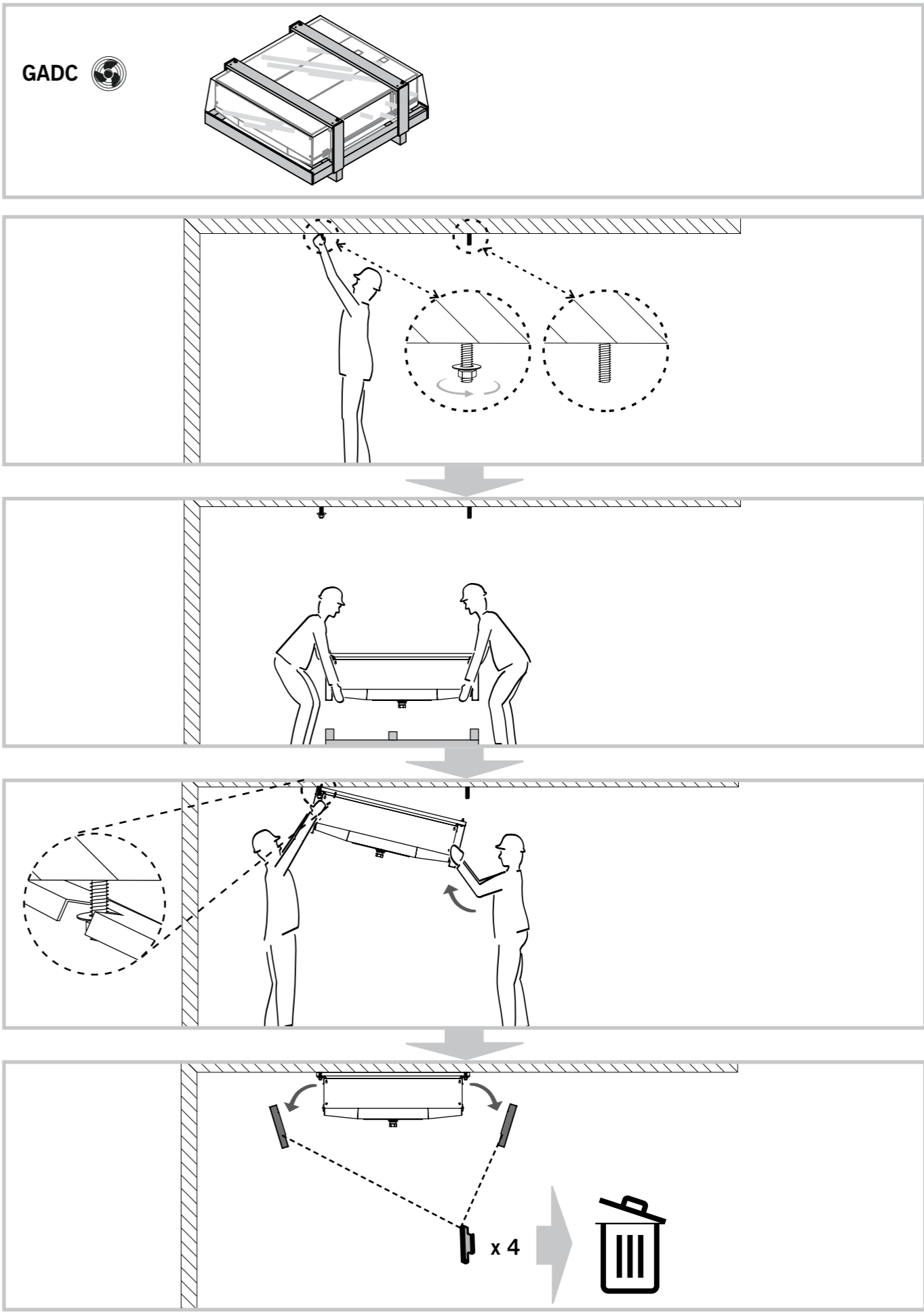
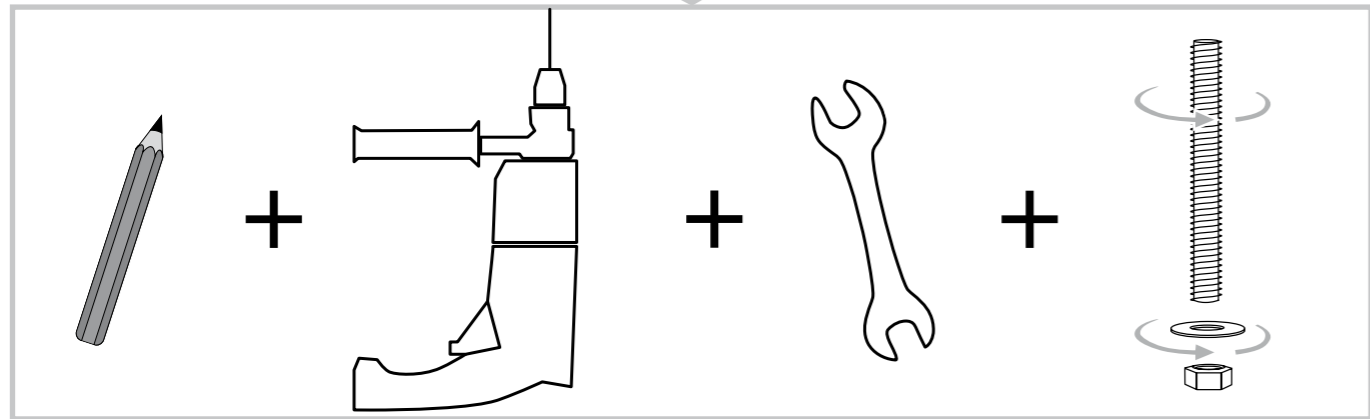
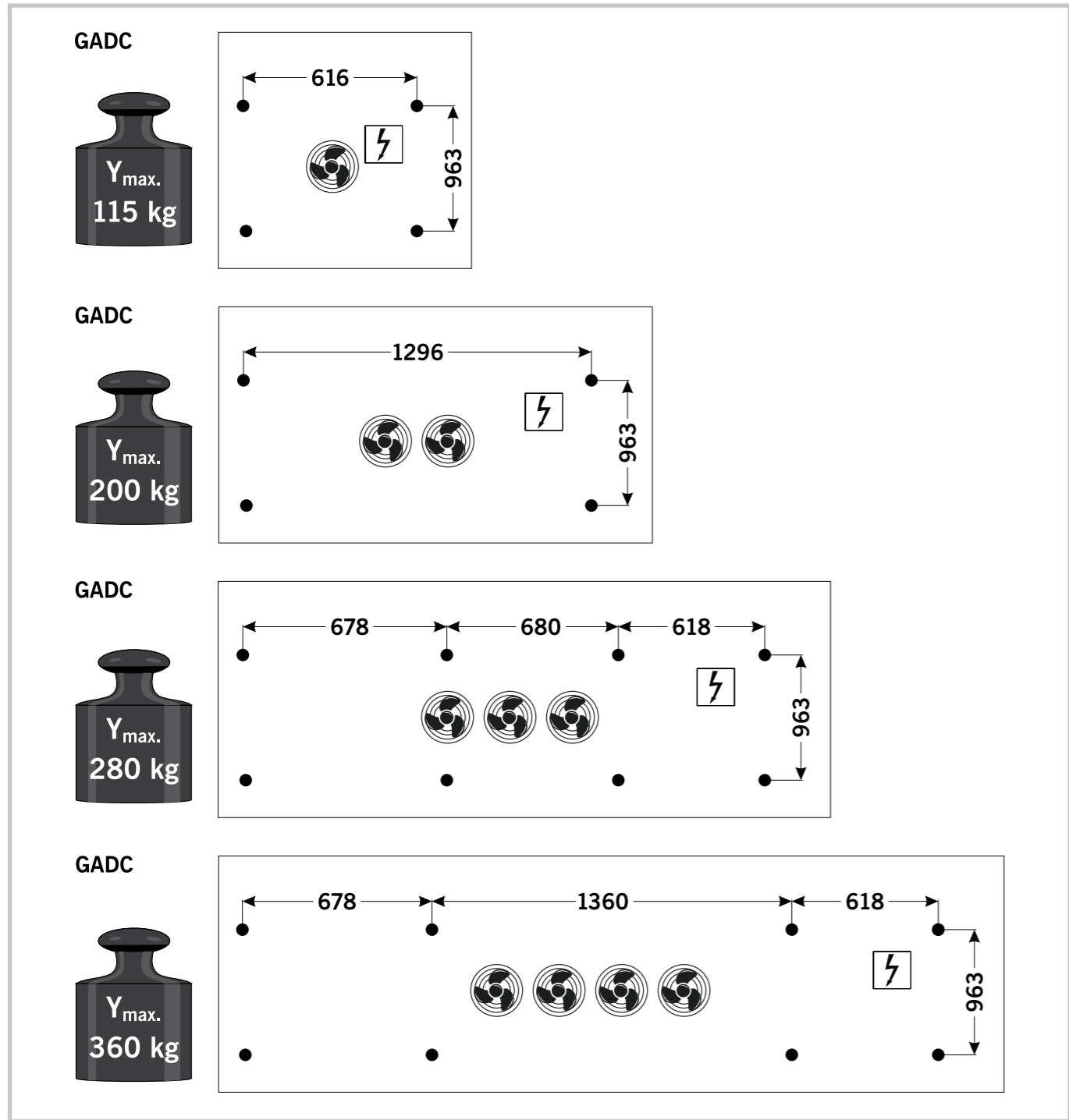


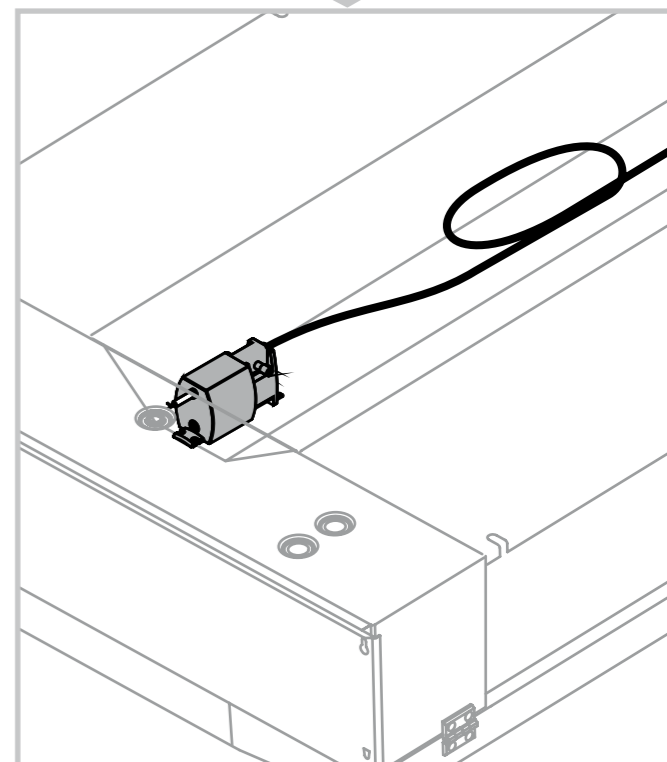
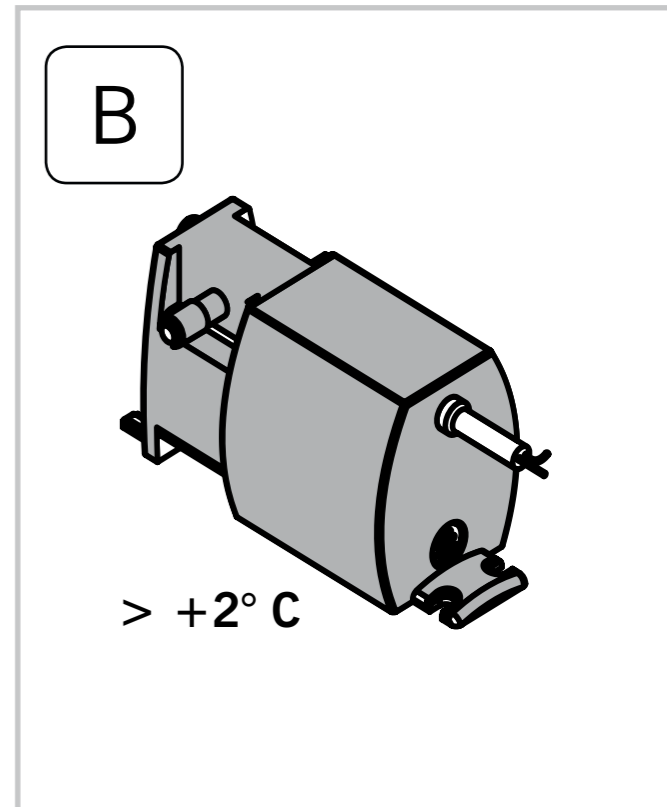
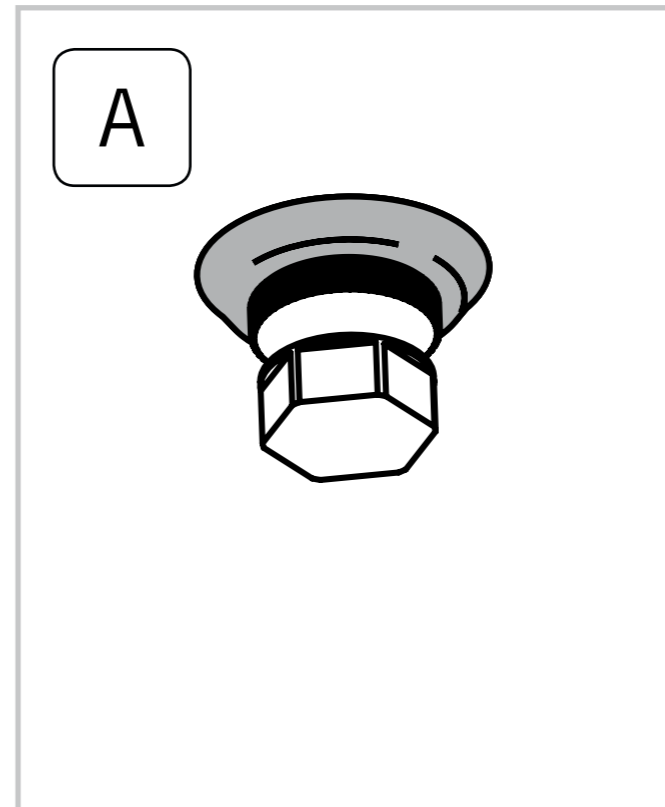
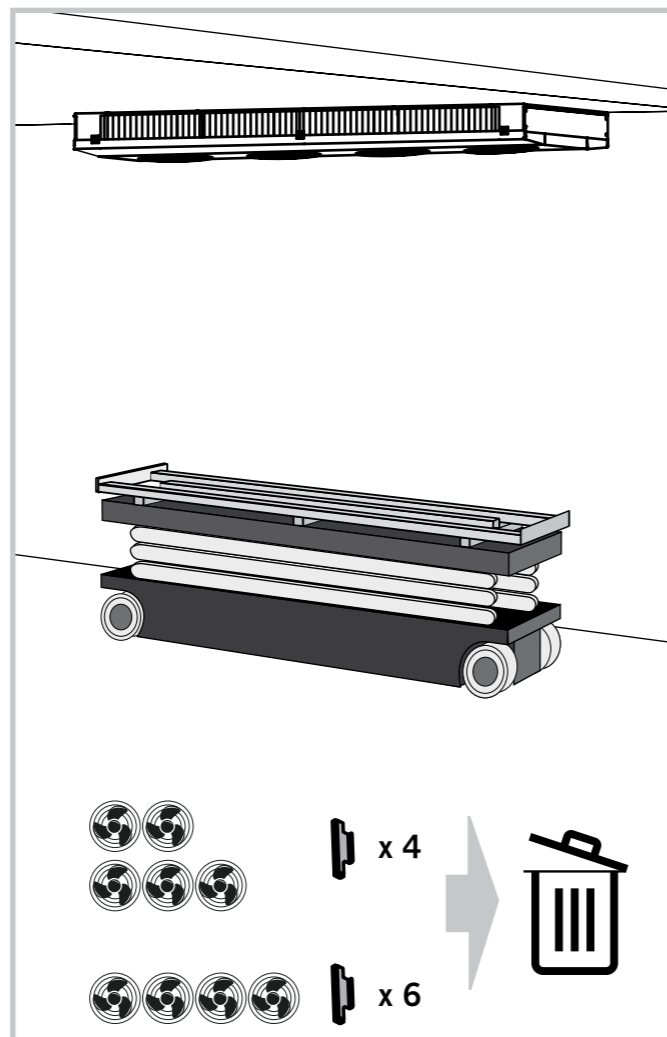
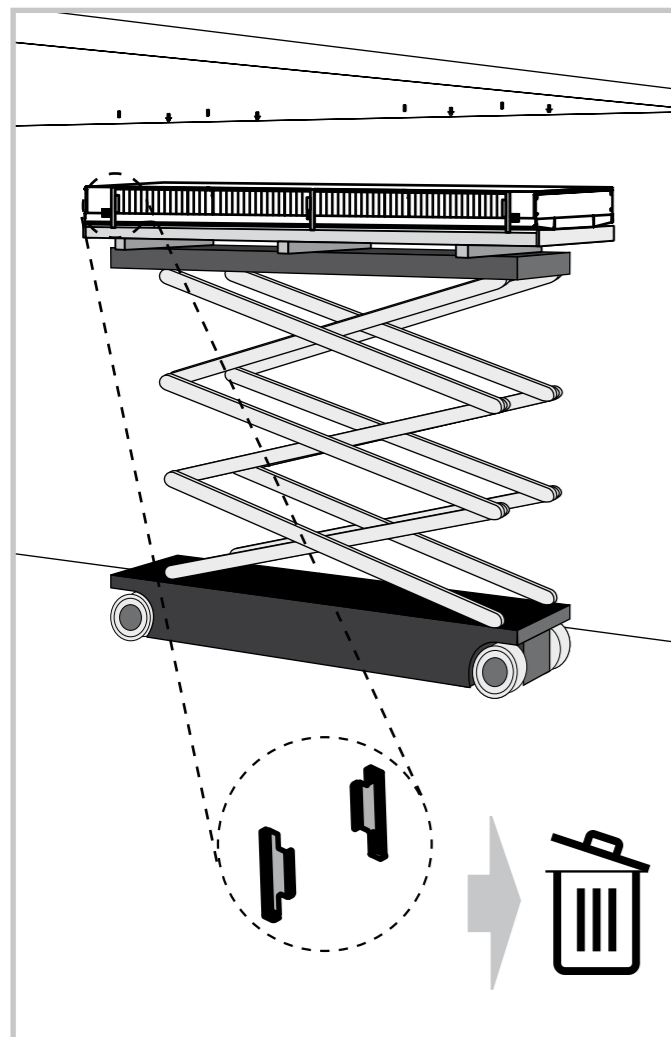
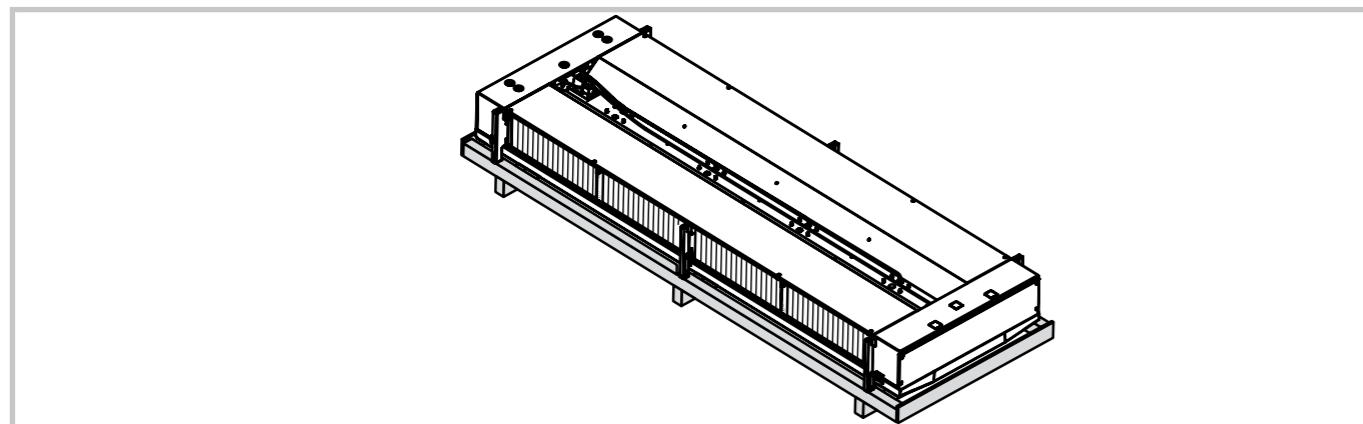
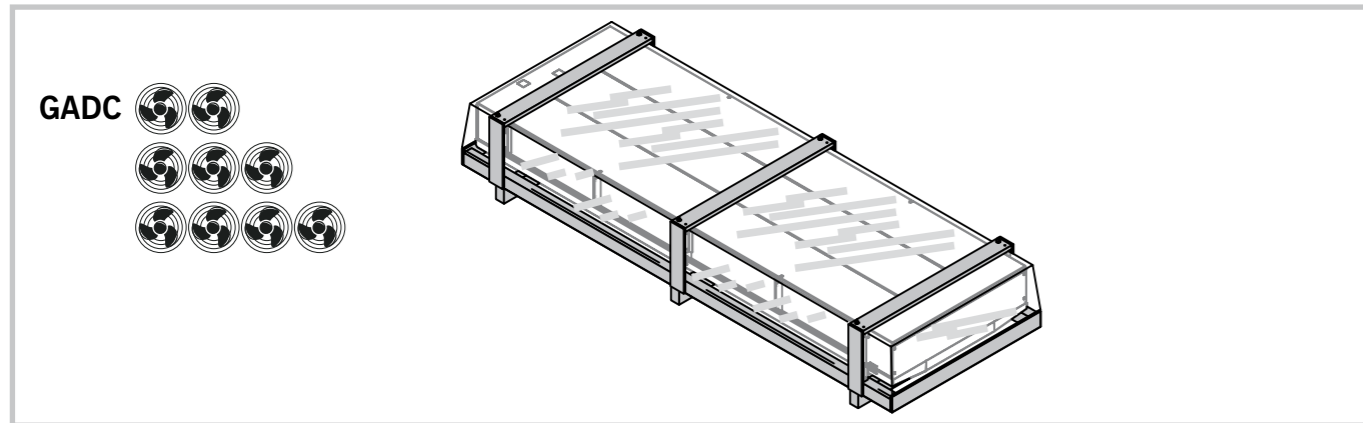




<p>Asia - Pacific www.guentner.asia</p>	<p>Europe/America/Africa www.guentner.com</p>
  	 <p>claims@guentner.com</p>  <p>+49 8141 242 - 4815</p>  <p>+49 8141 242 - 422</p>



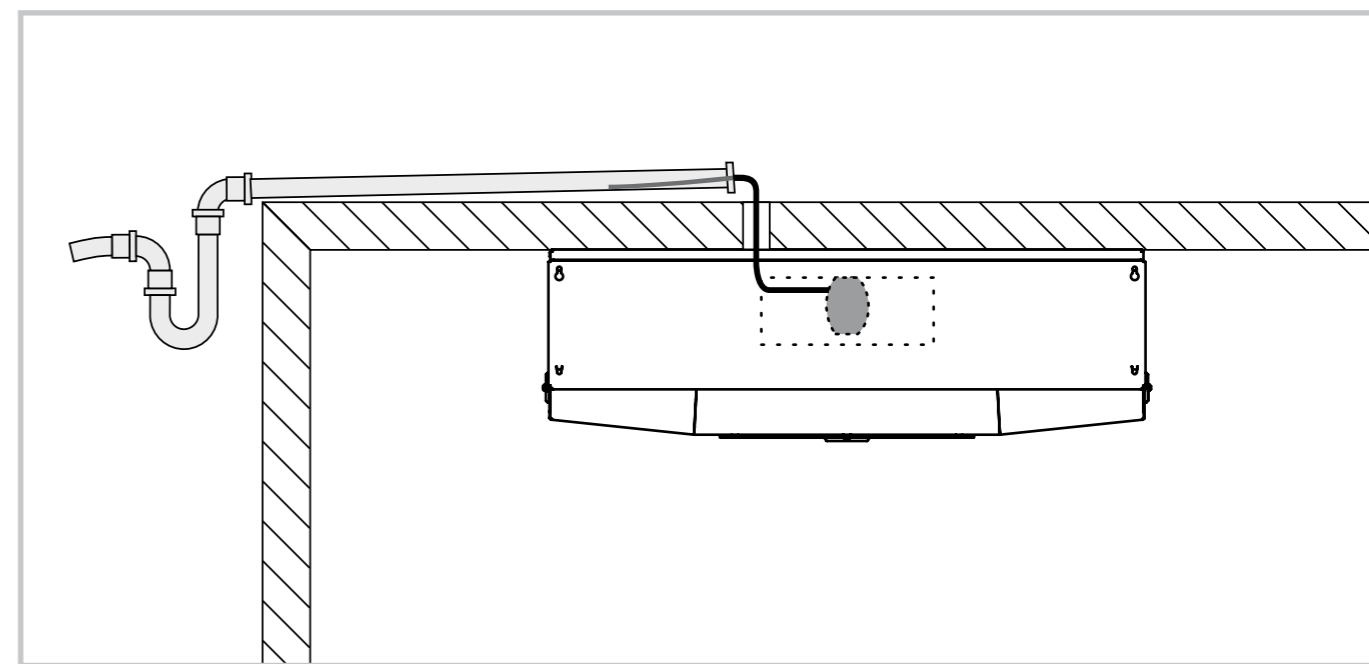
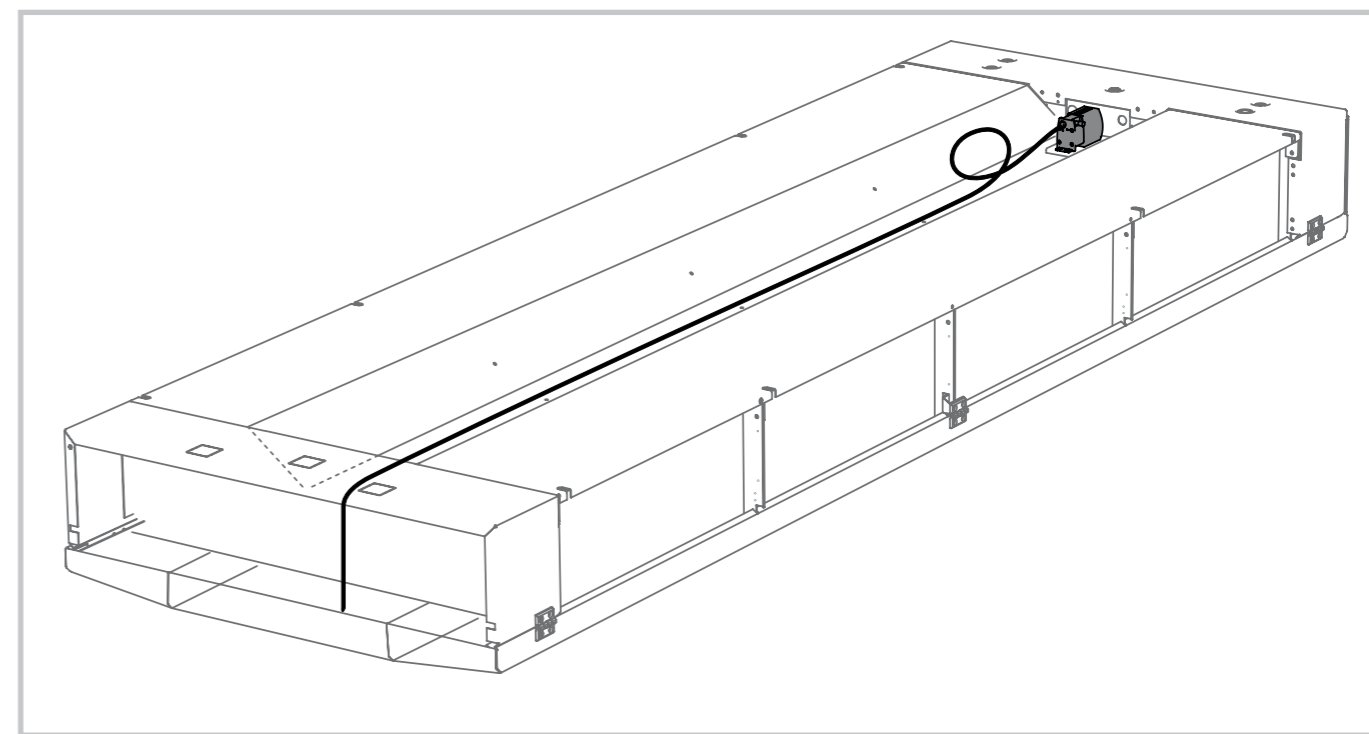
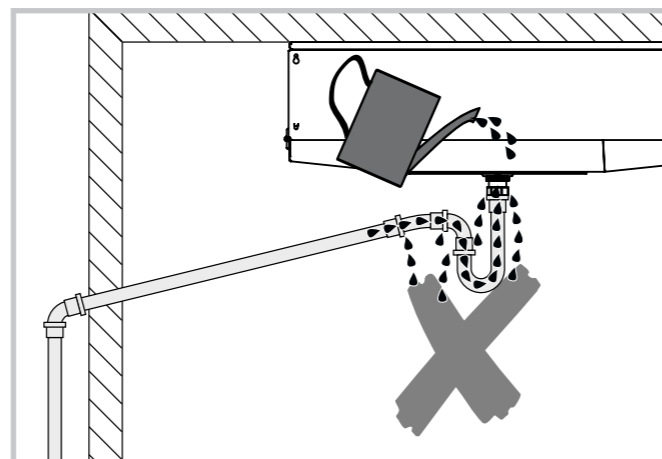
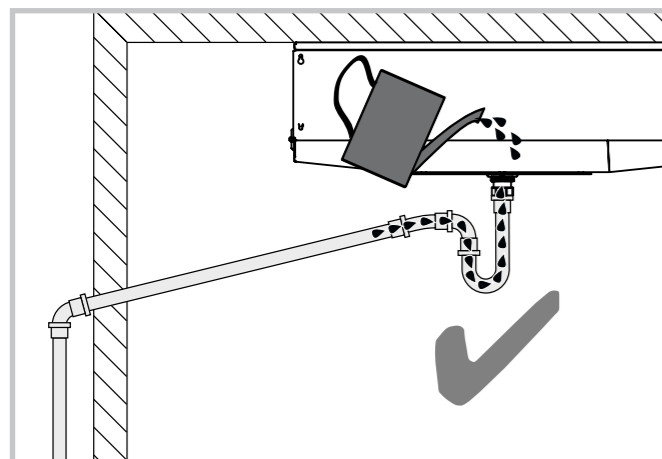
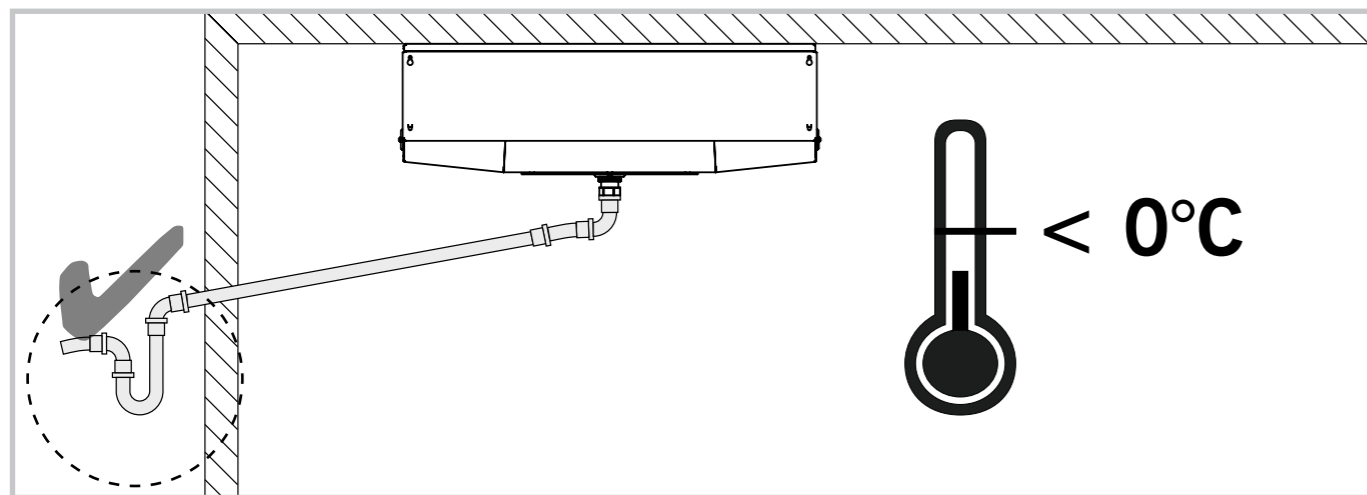
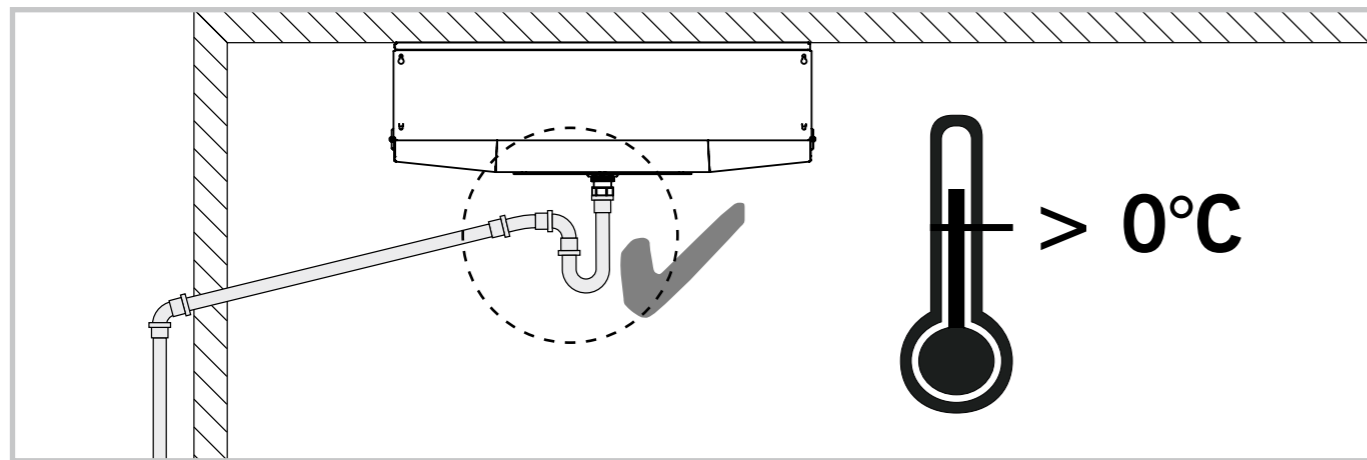
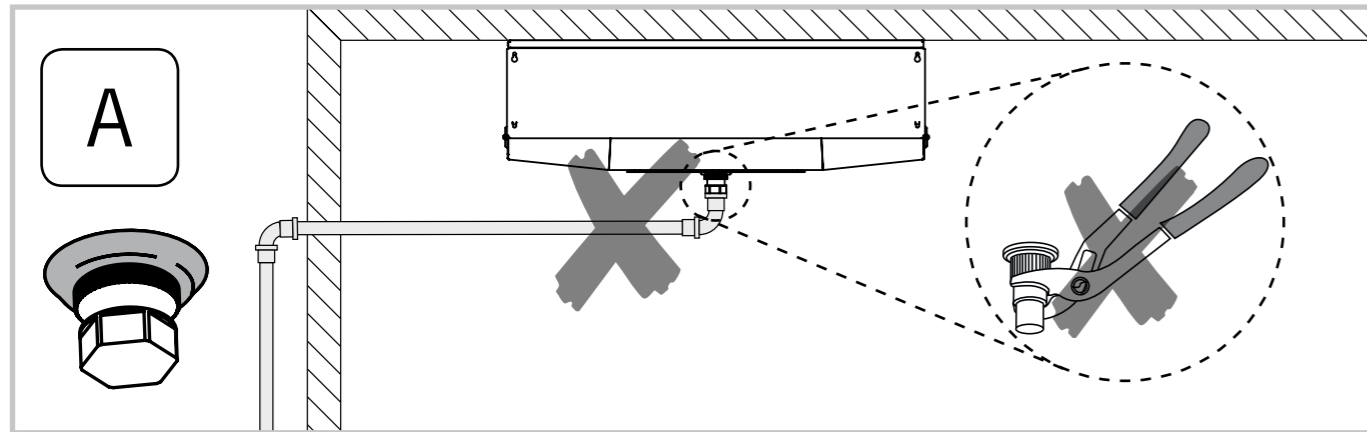


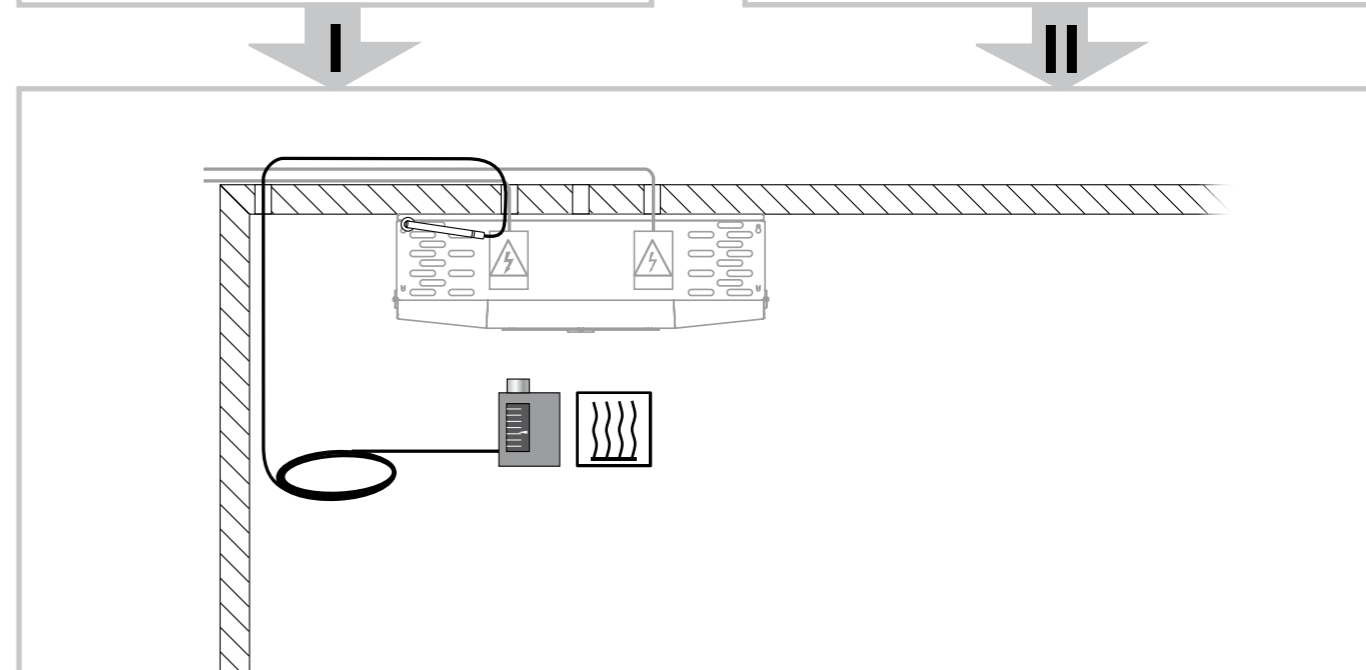
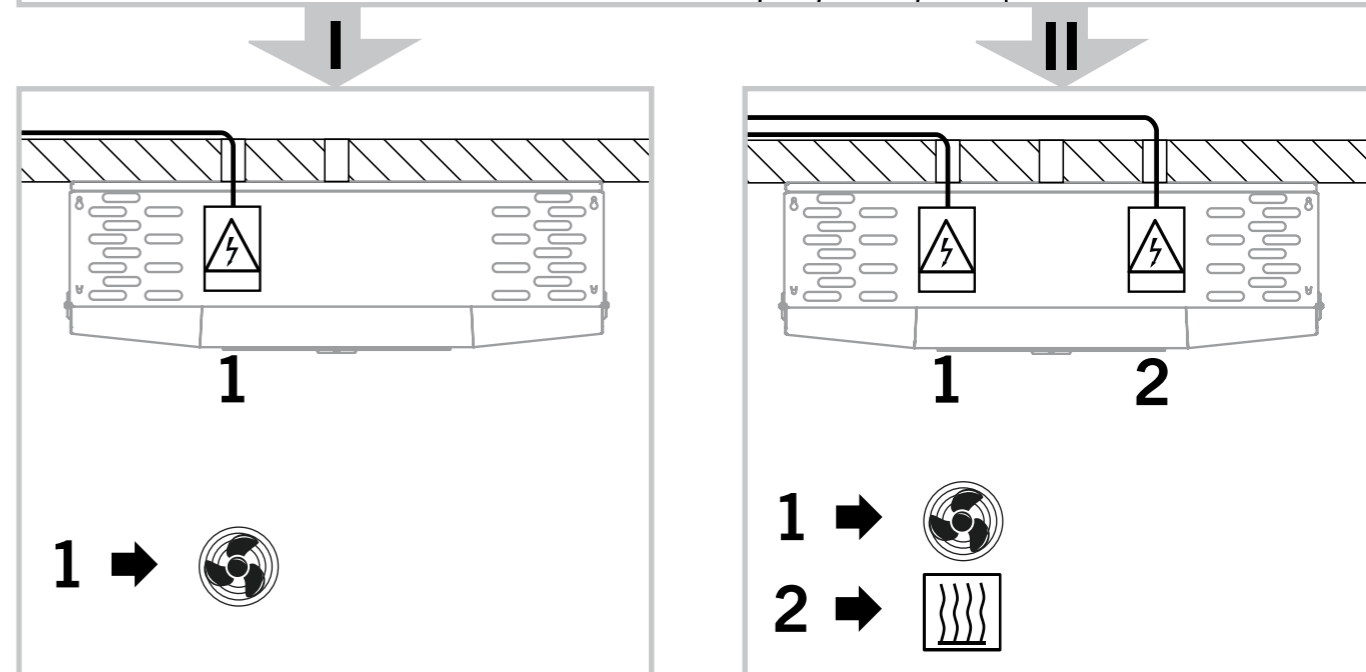
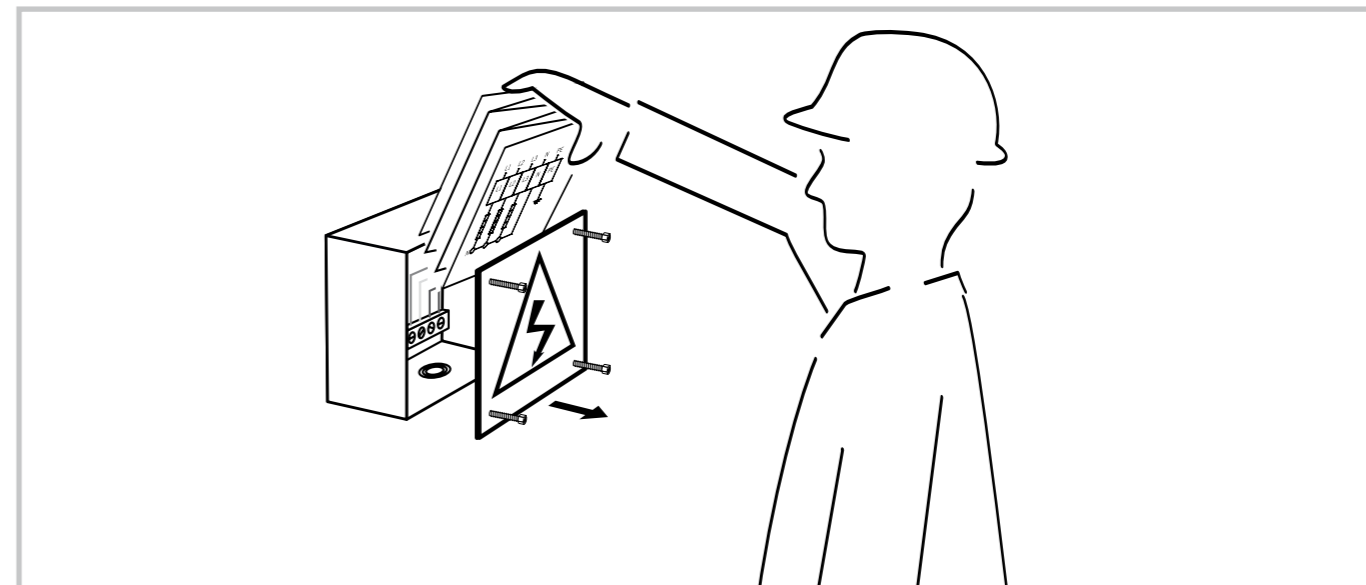
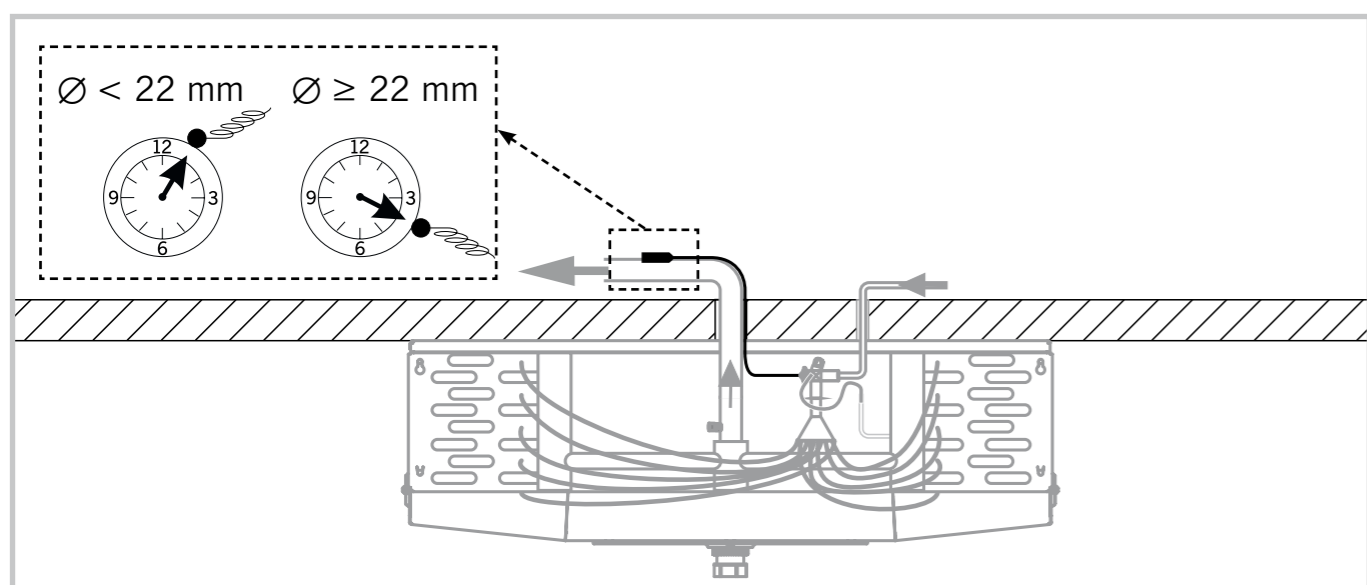
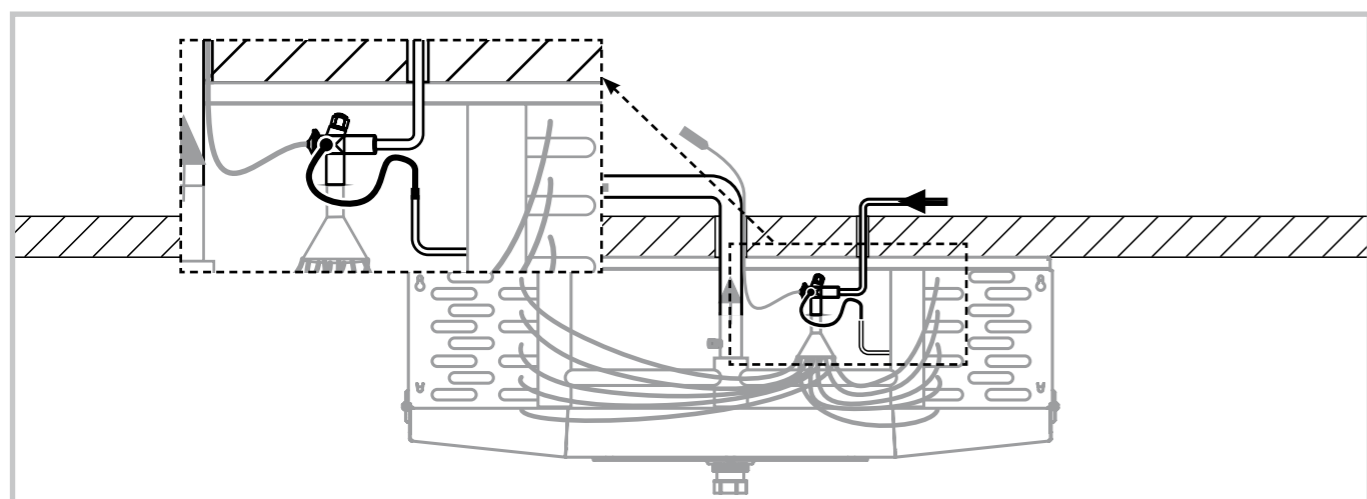
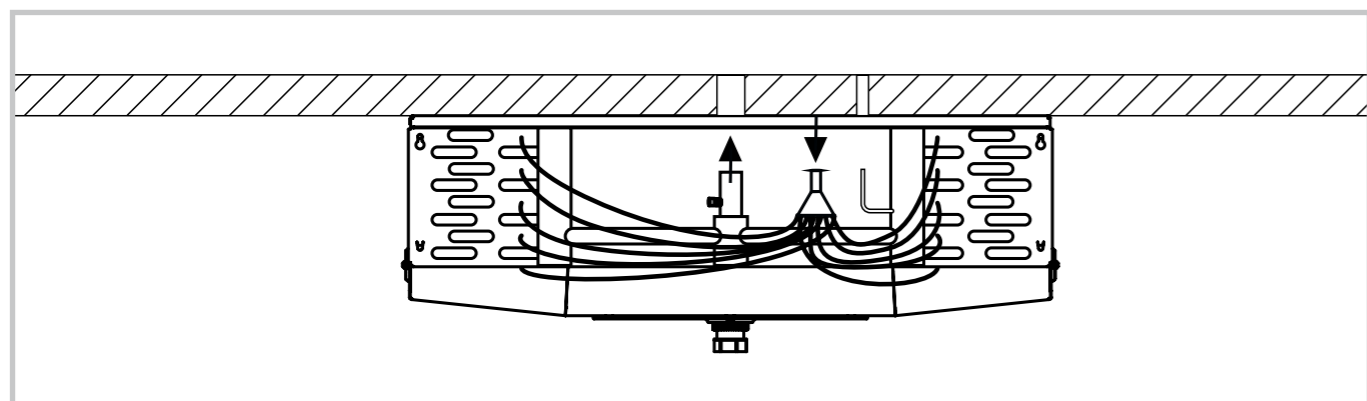


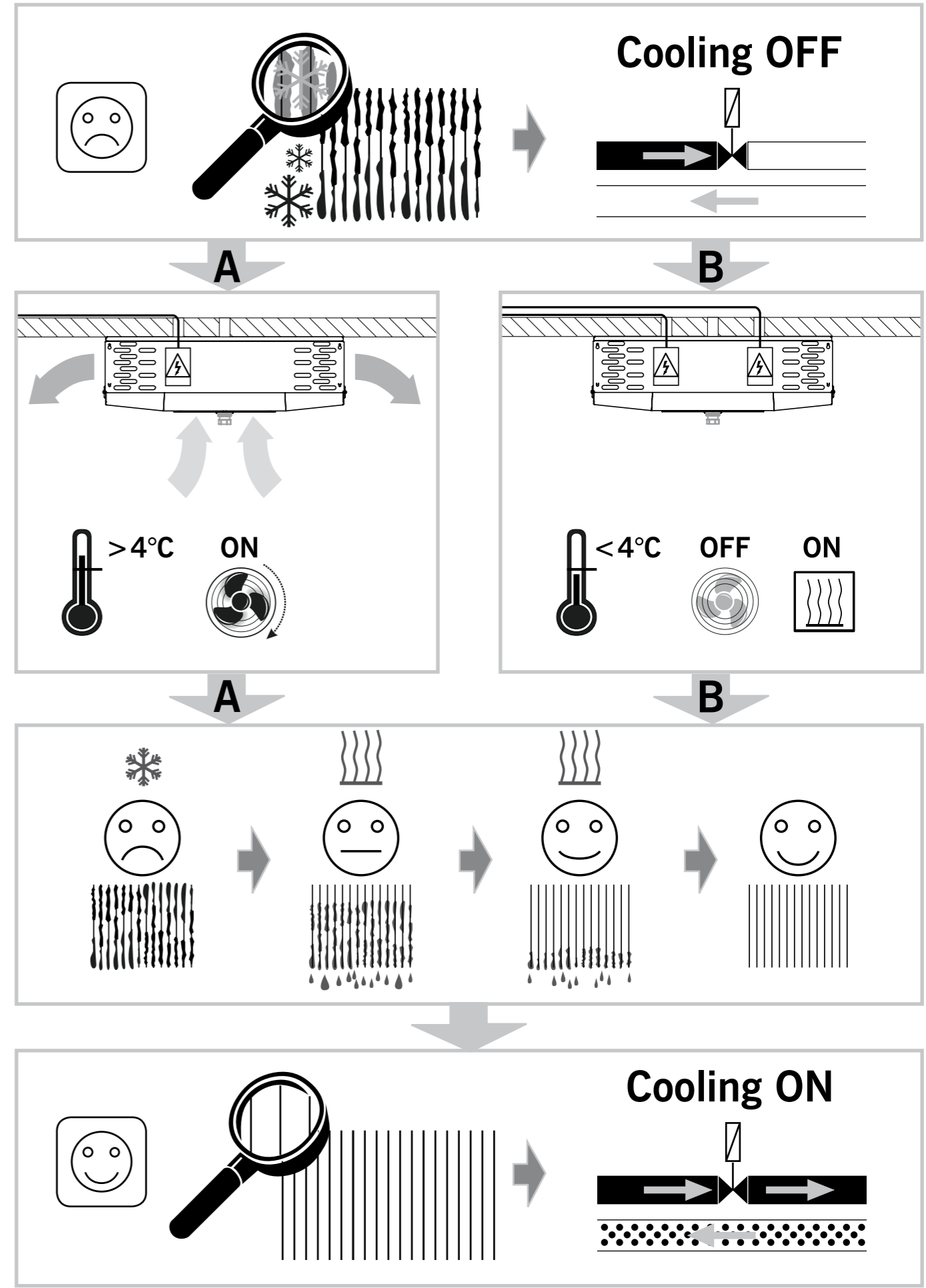
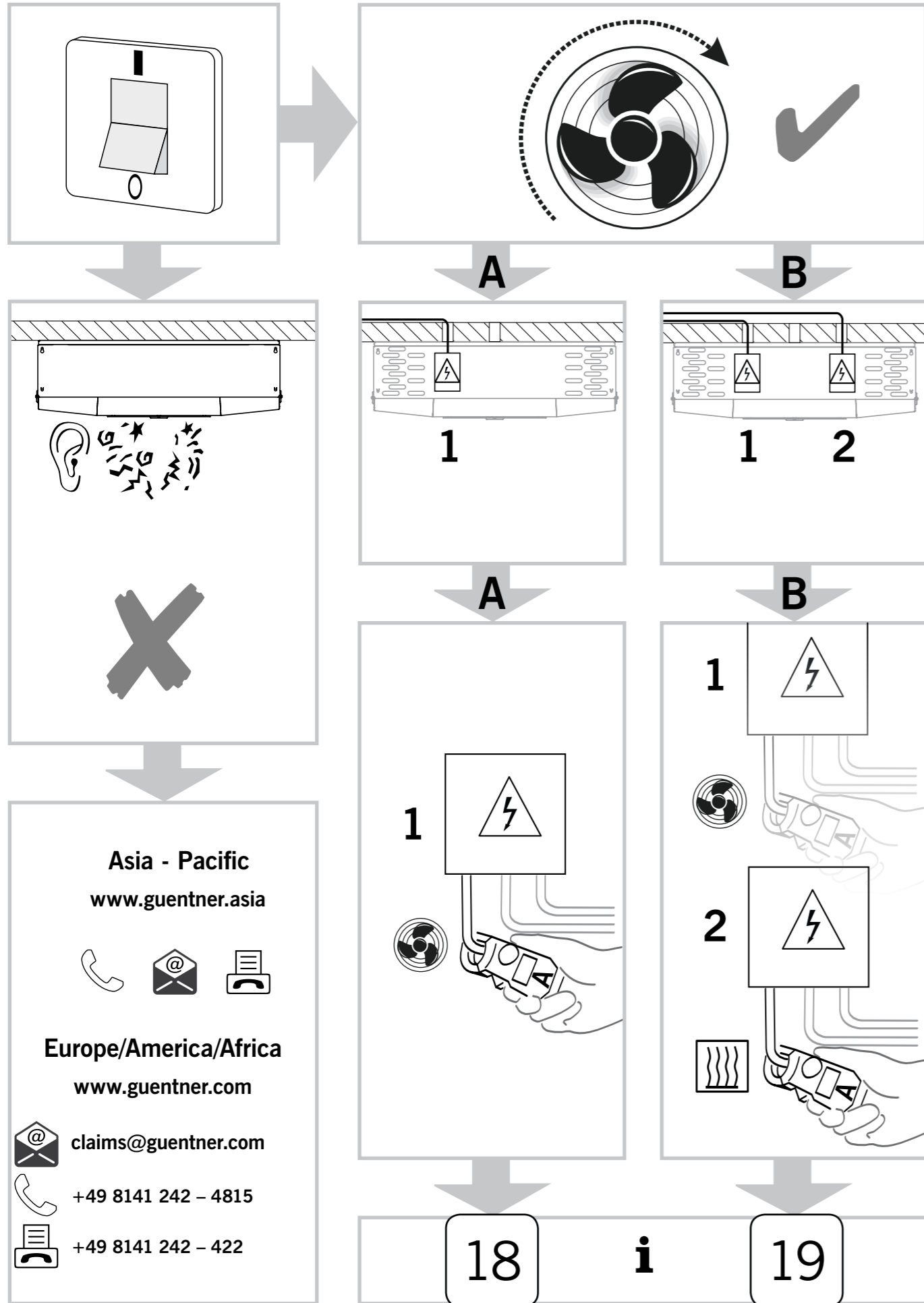
12

13

214







Asia - Pacific
www.guentner.asia



Europe/America/Africa
www.guentner.com

claims@guentner.com

+49 8141 242 - 4815

+49 8141 242 - 422

18

i

19

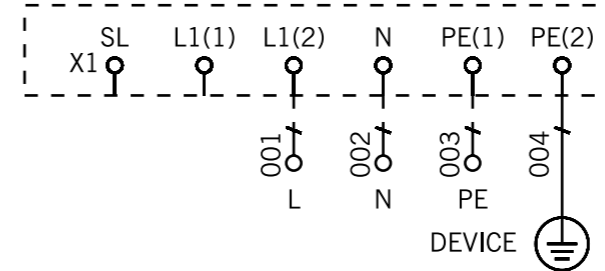


	i 1						
			U [V] 50 Hz	I [A]_{max.}			
AC	VT 0608	ID 2899	230 V, 1 ~	0.72	1.44	2.16	2.88
	VT 0609	ID 2901	230 V, 1 ~	0.2	0.4	0.6	0.8
		ID 2902		0.27	0.54	0.81	1.08

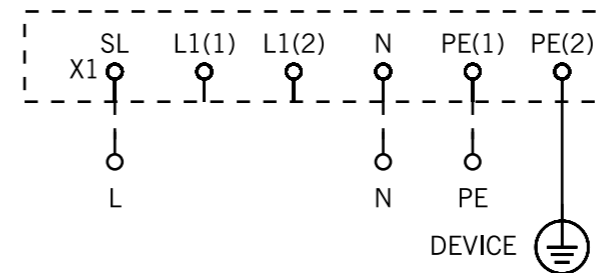
EC	VT 03192U.1	ID 2905	230 V, 1 ~	1.35	2.7	4.05	5.4
		ID 2906		0.75	1.5	2.25	3
		ID 2907		0.3	0.6	0.9	1.2
		ID 2908		0.15	0.3	0.45	0.6
		ID 2909		0.1	0.2	0.3	0.4

AC

Standard speed
VT0608 (1380 rpm) + VT0609 (750 rpm)
1~ 230 V (+/-10%) 50 Hz +N + PE

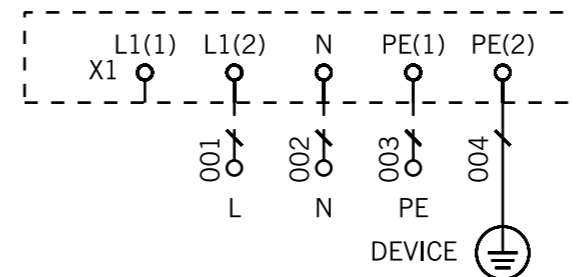


Second speed
VT0609 (900 rpm)
1~ 230 V (+/-10%) 50 Hz +N + PE

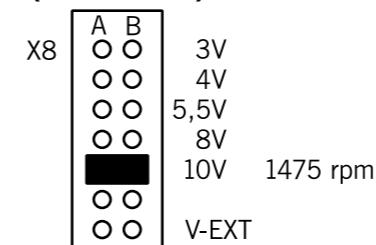


EC

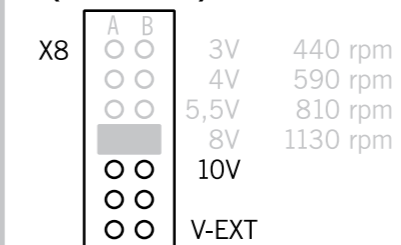
VT03192 U.1
1~ 230 V (+/-10%) 50 Hz +N + PE



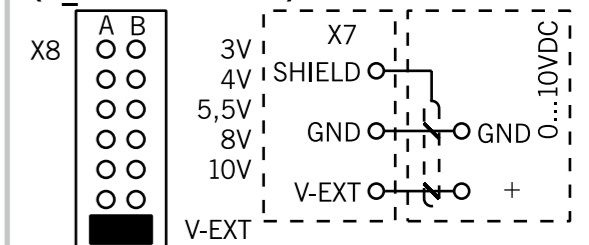
full speed
(VIN = 10V)



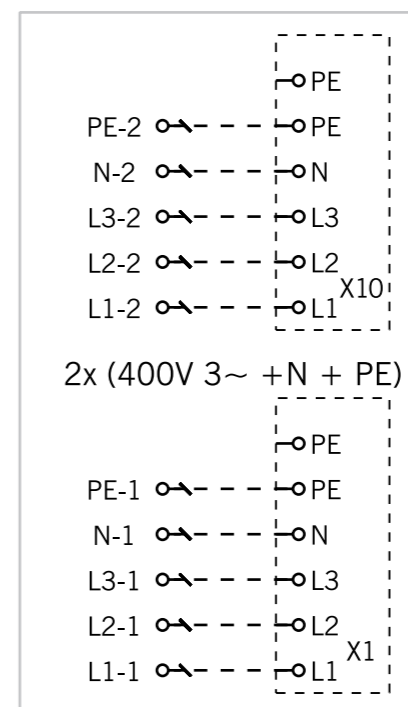
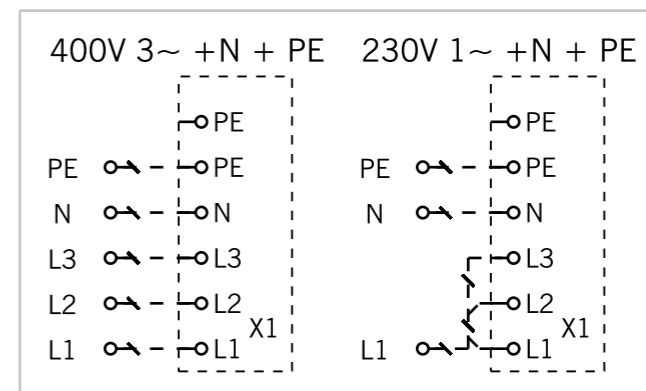
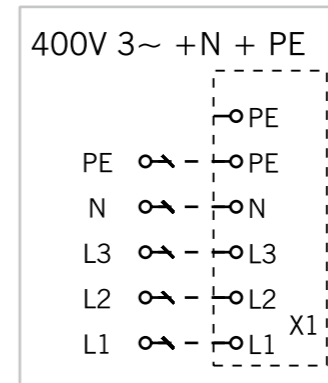
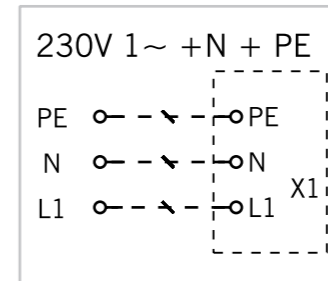
reduced speed
(VIN = 8V)



ext. controlled speed
(V_EXT = 0...10V)

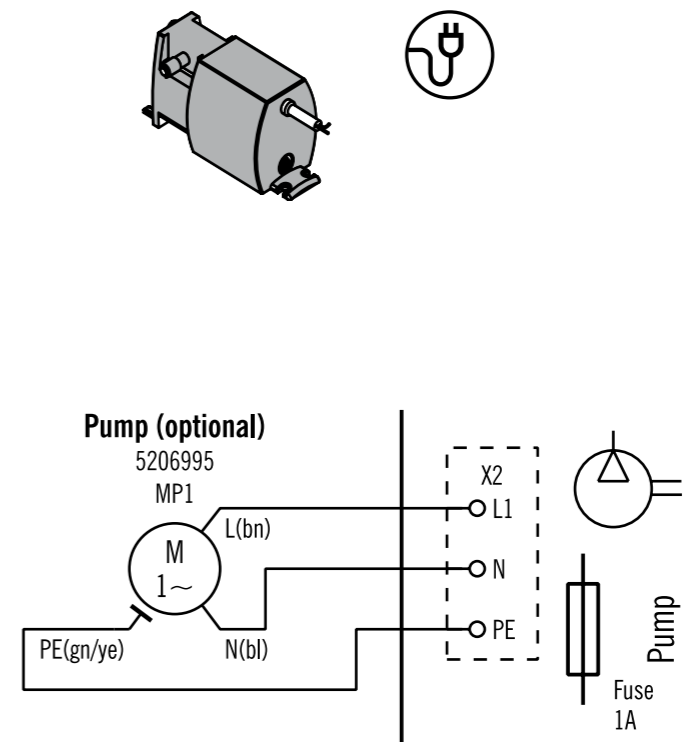


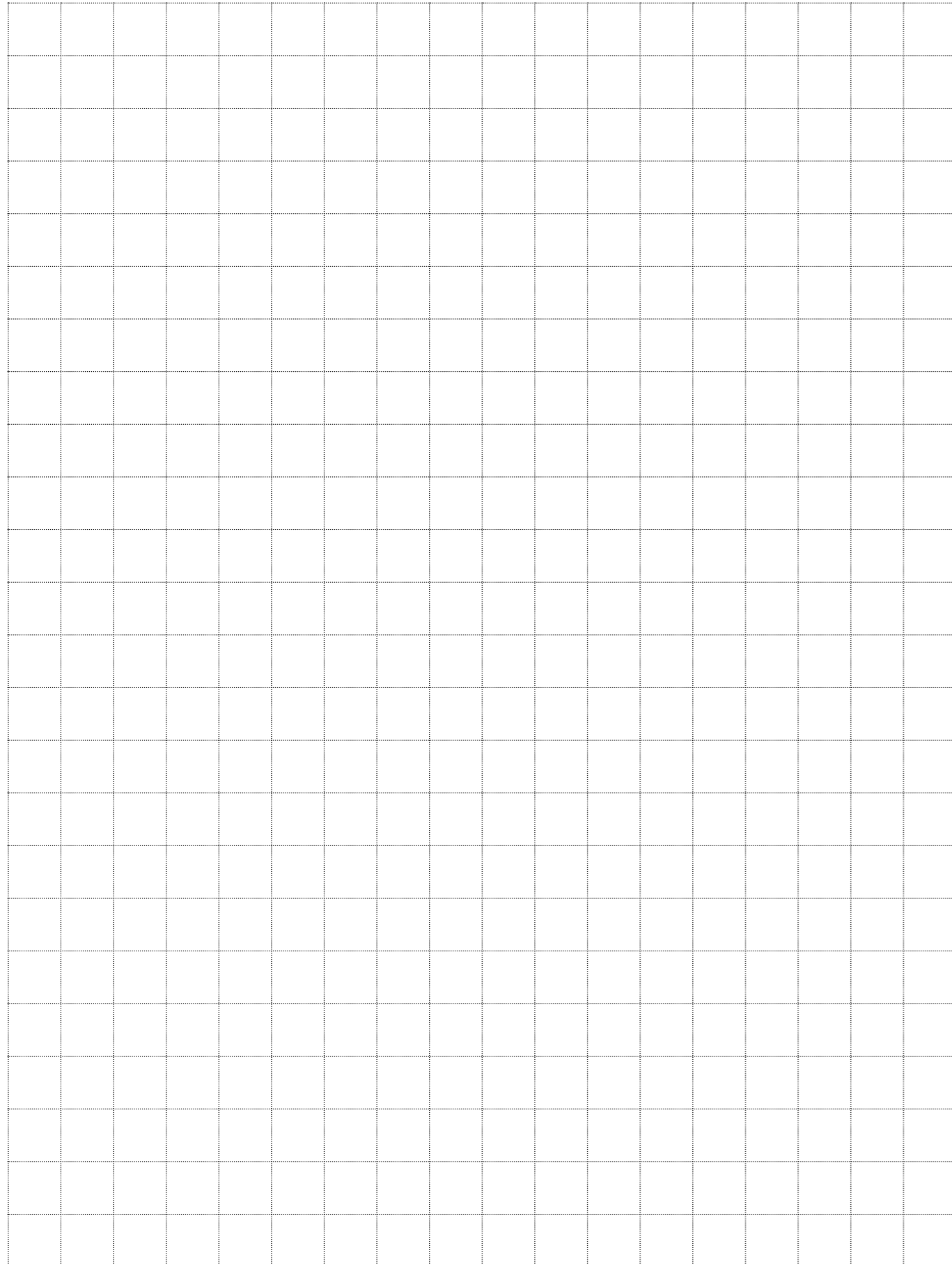
i 2					
				U [V]	I [A] _{max.}
GADC 035/ 1 	4	2	1	230 V 1~N	2,2 kW
	6	2	1	230/400 V+N	2,8 kW
	8	2	1	230/400 V+N	3,3 kW
GADC 035/ 2 	4	2	1	230/400 V+N	4,0 kW
	6	2	1	400 V 3~N	5,1 kW
	8	2	1	400 V 3~+N	6,2 kW
GADC 035/ 3 	4	2	1	400 V 3~N	6,0 kW
	6	2	1	400 V 3~N	7,7 kW
	8	2	1	(2x) 400 V 3~N	9,3 kW
GADC 035/ 4 	4	2	1	400 V 3~N	7,5 kW
	6	2	1	(2x) 400 V 3~N	9,61 kW
	8	2	1	(2x) 400 V 3~N	11,9 kW



i 3

GADC 035/ 1 	4	2	1	AY7.002380
	6	2	1	AY7.002384
	8	2	1	AY7.002388
GADC 035/ 2 	4	2	1	AY7.002381
	6	2	1	AY7.002385
	8	2	1	AY7.002389
GADC 035/ 3 	4	2	1	AY7.002382
	6	2	1	AY7.002386
	8	2	1	AY7.002390
GADC 035/ 4 	4	2	1	AY7.002383
	6	2	1	AY7.002387
	8	2	1	AY7.002391





GÜNTNER APP

DOWNLOAD NOW



Available on the iPhone
App Store



ANDROID APP ON
Google play



guentner.eu/know-how/guentner-app



Scan code for manual.

Güntner GmbH & Co. KG
Hans-Güntner-Str. 2 – 6
82256 FÜRSTENFELDBRUCK
GERMANY

www.guentner.eu

Güntner Asia Pacific Pte. Ltd.
8 Jurong Town Hall Road
#23-06 The JTC Summit
SINGAPORE 609434

www.guentner.asia

Members of Güntner Group



thermowave
PHE for process and industry

basetec
products + solutions